

BALL BEARING CONTENTS

SET SCREW BALL BEARINGS

Normal Duty 200 Series	6
Medium Duty 300 Series	18
Intermediate Duty 100 Series	
Cast Iron	26
Ductile	32
Light Duty 100 Series	
Stamped Steel	36
Rubber Grommeted	35,41

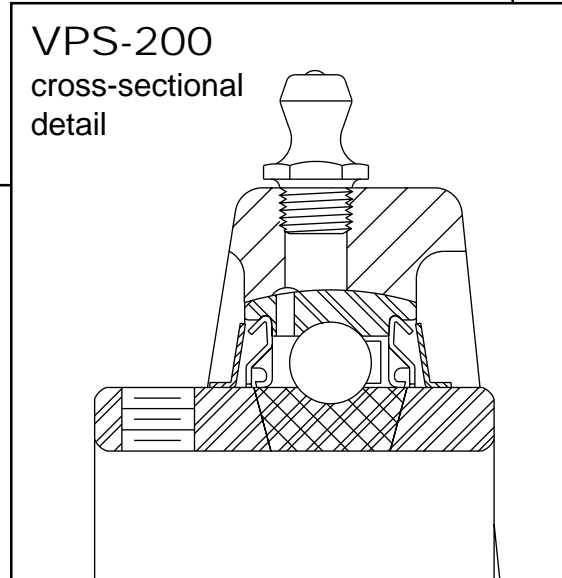
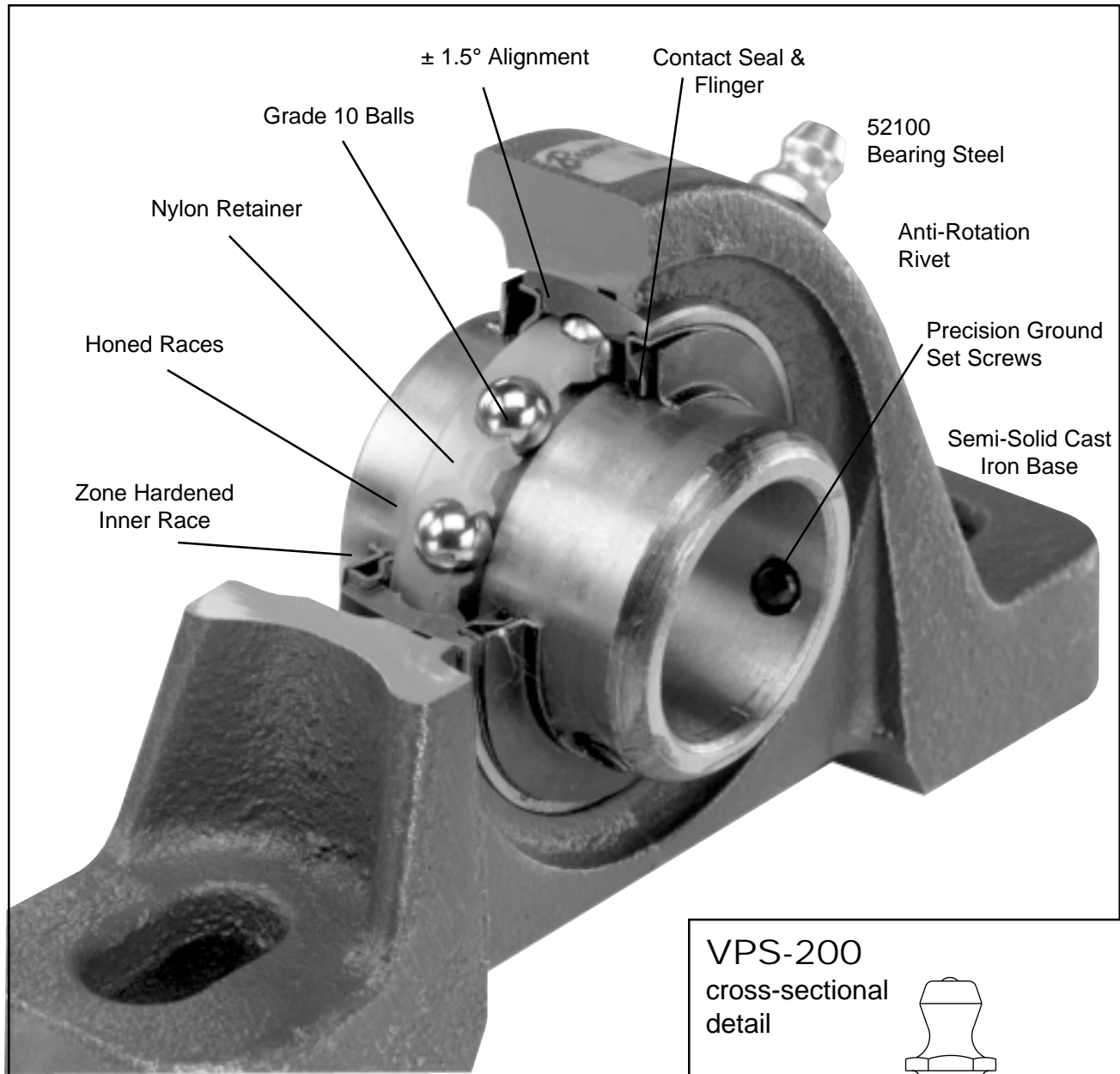
BOA CONCENTRIC BALL BEARINGS

Normal Duty 200 Series	52
Medium Duty 300 Series	60

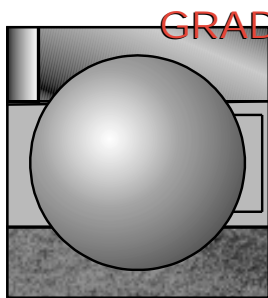
ECCENTRIC BALL BEARINGS

Normal Duty 200 Series	68
Intermediate Duty 100 Series	
Cast Iron	76
Ductile	82
Light Duty 100 Series	
Stamped Steel	86
Rubber Grommeted	85,91

Browning® Ball Bearings

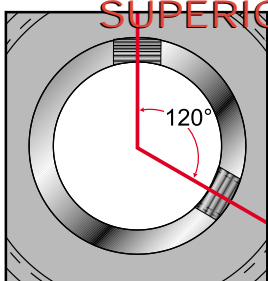


BROWNING SET SCREW BALL BEARINGS FEATURES/BENEFITS



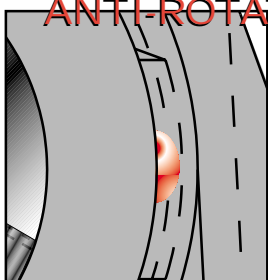
GRADE 10 BALLS

For quieter operation and less vibration. Manufactured with high quality 52100 bearing steel.



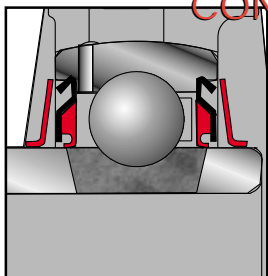
SUPERIOR LOCKING

Browning provides a 120° spacing for the precision ground diamond faceted set screws. The unique 120° design offers an optimum three point balance for a reliable shaft hold.



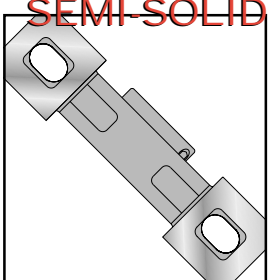
ANTI-ROTATION RIVET

An anti-rotation rivet prevents outer ring creep, or rotation, within the housing. This reduces heat build up and prolongs useful bearing life.



CONTACT SEAL

Positive contact molded rubber lip with an auxiliary flinger for proven effective sealing against contaminants.



SEMI-SOLID CAST IRON BASE

The rugged base design provides an excellent mounting foundation. This is integral to prevent sheet metal "Buckling."

PRECISION HARDENED AND HONED RINGS

Inner rings are zone hardened to maintain ballpath hardness while keeping inner ring extension soft for a precision set screw hold. Both ballpaths are honed for quieter operation and less vibration. See cross-sectional detail – left.

BROWNING SET SCREW BALL BEARINGS

FEATURES/BENEFITS SERIES

Set Screw Ball Bearings are segmented into three series ranging from intermediate duty for lightly loaded applications to medium duty for heavier load.

100 = Intermediate and Light Duty

200 = Normal Duty

300 = Medium Duty

RELATED PRODUCTS

VER insert bearings have a cylindrical outside diameter with a snap ring for easy installation and positive location. VER interchanges with Fafnir and MB ER style bearings. PAGE 14-15

Air Handling AH Ball Bearings are specifically manufactured to air handling design specifications including special AH housing fit and lower operating noise levels. Air Handling AH Ball Bearings can be specified by attaching an AH suffix to the end of any part description.

Example: VPS-216 AH. See Technical Section for detail. Contact Browning for availability.

Look for the  Page 48 for details.

Nickel Plated NK Housings are offered for corrosion resistance and can be specified by attaching an NK suffix to the end of any part description.

Example: VPS-216 NK. Contact Browning for availability.


Look for the 

TABLE OF CONTENTS

200 Series Normal Duty	100 Series Intermediate Duty
Pillow Blocks Cast Iron 6-7	Pillow Blocks Cast Iron 26-27
2-Bolt Flanges Cast Iron 8	2-Bolt Flanges Cast Iron 28
TakeUps Cast Iron 12-13	4-Bolt Flanges Cast Iron 29
VER Inserts 14-15	TakeUps Cast Iron 30-31
Inserts 16	2-Bolt Flanges Ductile 32
200 Series Ratings 17	Pillow Blocks Ductile 33
300 Series Medium Duty	3-Bolt Flanges Ductile 34
Pillow Blocks Cast Iron 18	Pillow Blocks Stamped 35
2-Bolt Flanges Cast Iron 19	Pillow Blocks Stamped Rubber 36
4-Bolt Flanges Cast Iron 20	2-Bolt Flanges Stamped 37
Flange Cartridges Cast Iron ... 21	3-Bolt Flanges Stamped 38
TakeUps Cast Iron 22	4-Bolt Flanges Stamped 39
Inserts 24	3-Bolt Stamped Triangle 40
300 Series Ratings 25	Rubber Grommet 41
ECCENTRIC 66	Inserts 42-45
BOA CONCENTRIC 50	Tapped Base Cast Iron 80
	100 Series Ratings 95



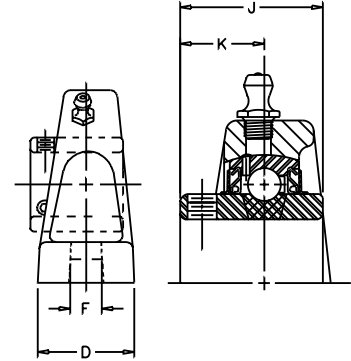
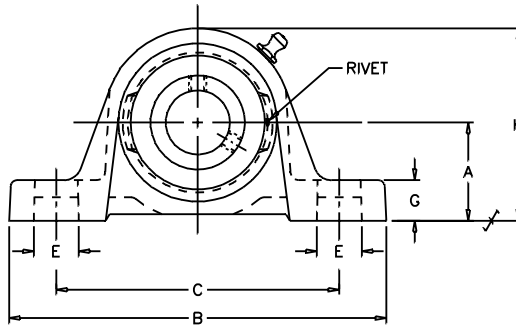
VPS-200

Lock: Set Screw
Seal: Contact
Housing: Cast Iron
Temperature: -20°F to 200°F
Self Alignment: ±1.5°
Inserts: VS-200
 Dimension pg 16
 Ratings pg 17

V VALUE & QUALITY
 P PILLOW BLOCK
 S SET SCREW

2 200
 0 NORMAL
 0 DUTY

Bore Size	Fitting
1/2" - 1 1/4" S	1/4" - 28NF
1 1/4" - 2 15/16"	1/8" NPT



SHAFT DIA. IN	UNIT NO.	BRG. NO.	Dimensions in Inches										BOLT SIZE IN.	UNIT WT.
			A	B	C	D	E	F	G	H	J	K		
1/2	VPS-208	VS-208	1 3/16	4 7/8	3 5/8	1 7/32	7/8	7/16	15/32	2 7/32	1 1/32	5/8	3/8	.9
5/8	VPS-210	VS-210	1 5/16	5	3 25/32	1 11/32	25/32	7/16	17/32	2 17/32	1 7/32	23/32	3/8	1.4
3/4	VPS-212	VS-212	1 5/16	5	3 25/32	1 11/32	25/32	7/16	17/32	2 17/32	1 7/32	23/32	3/8	1.4
7/8	VPS-214	VS-214	1 7/16	5 1/2	4 1/8	1 13/32	13/16	7/16	19/32	2 13/16	1 3/8	13/16	3/8	1.5
15/16	VPS-215	VS-215	1 7/16	5 1/2	4 1/8	1 13/32	13/16	7/16	19/32	2 13/16	1 3/8	13/16	3/8	1.5
1	VPS-216	VS-216	1 7/16	5 1/2	4 1/8	1 13/32	13/16	7/16	19/32	2 13/16	1 3/8	13/16	3/8	1.5
1 1/8	VPS-218	VS-218	1 11/16	6 3/16	4 5/8	1 3/4	15/16	9/16	21/32	3 9/32	1 1/2	7/8	1/2	2.5
1 3/16	VPS-219	VS-219	1 11/16	6 3/16	4 5/8	1 3/4	15/16	9/16	21/32	3 9/32	1 1/2	7/8	1/2	2.5
1 1/4	VPS-220S	VS-220S	1 7/8	6 3/4	5	1 3/4	7/8	9/16	23/32	3 11/16	1 11/16	1	1/2	3.5
1 1/4	VPS-220	VS-220	1 7/8	6 3/4	5	1 3/4	7/8	9/16	23/32	3 11/16	1 11/16	1	1/2	3.5
1 3/8	VPS-222	VS-222	1 7/8	6 3/4	5	1 3/4	7/8	9/16	23/32	3 11/16	1 11/16	1	1/2	3.5
1 7/16	VPS-223	VS-223	2	7 1/8	5 3/8	1 15/16	1	9/16	13/16	4	1 15/16	1 3/16	1/2	4.7
1 1/2	VPS-224	VS-224	2	7 1/8	5 3/8	1 15/16	1	9/16	13/16	4	1 15/16	1 3/16	1/2	4.7
1 5/8	VPS-226	VS-226	2 1/8	7 3/8	5 21/32	2	29/32	9/16	3/4	4 1/4	1 15/16	1 3/16	1/2	5.5
1 11/16	VPS-227	VS-227	2 1/8	7 3/8	5 21/32	2	29/32	9/16	3/4	4 1/4	1 15/16	1 3/16	1/2	5.5
1 3/4	VPS-228	VS-228	2 1/4	8	6 3/16	2 3/16	15/16	11/16	3/4	4 9/16	2 1/32	1 9/32	5/8	6.0
1 15/16	VPS-231	VS-231	2 1/4	8	6 3/16	2 3/16	15/16	11/16	3/4	4 9/16	2 1/32	1 9/32	5/8	6.0
2	VPS-232S	VS-232S	2 1/2	8 13/16	6 15/16	2 5/16	1	11/16	7/8	4 31/32	2 3/16	1 5/16	5/8	7.8
2	VPS-232	VS-232	2 1/2	8 13/16	6 15/16	2 5/16	1	11/16	7/8	4 31/32	2 3/16	1 5/16	5/8	7.8
2 3/16	VPS-235	VS-235	2 3/4	9 1/2	7 13/32	2 3/8	1 5/32	11/16	7/8	5 9/16	2 9/16	1 9/16	5/8	10.1
2 1/4	VPS-236	VS-236	2 3/4	9 1/2	7 13/32	2 3/8	1 5/32	11/16	7/8	5 9/16	2 9/16	1 9/16	5/8	10.1
2 7/16	VPS-239	VS-239	3 5/16	12	9 1/2	2 7/8	1 1/4	15/16	1	6 5/8	3 1/16	1 3/4	7/8	16.9
2 15/16	VPS-247	VS-247	3 5/16	12	9 1/2	2 7/8	1 1/4	15/16	1	6 5/8	3 1/16	1 3/4	7/8	16.9

Air Handling (AH) To order specify AH suffix, i.e. VPS-216 AH (See page 48)
 Nickel Plated (NK) To order specify NK suffix, i.e. VPS-216 NK

REV 0

CROSS REFERENCE TO COMPETITORS PRODUCTS

REPLACES DODGE P2B-SC		REPLACES SKF SY-TM	REPLACES NTN UCP2
REPLACES FAFNIR YAS	REPLACES LINK-BELT P3-U200N	REPLACES HUB CITY PB251W*	REPLACES BOSTON SH

Refer to Interchange Section Page 162 for more detail.
 * - Malleable casting

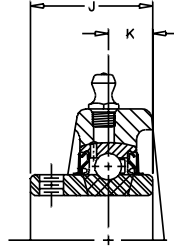
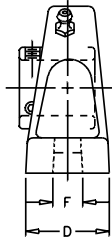
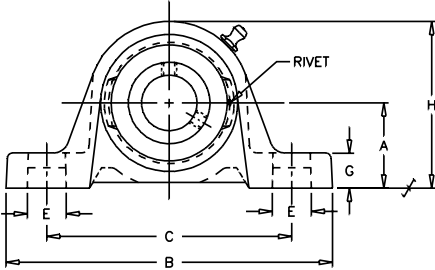
Ball Bearings

VALUE & QUALITY V
PILLOW BLOCK P
LOW BASE L
SET SCREW S

200 2
NORMAL 0
DUTY 0

VPLS-200

Lock: Set Screw
Seal: Contact
Housing: Cast Iron
Temperature: -20°F to 200°F
Self Alignment: ±1.5°
Inserts: VS-200
Dimensions pg 16
Ratings pg 17



Bore Size	Fitting
1/2" - 1 1/4" S	1/4" - 28NF
1 1/4" - 2 15/16"	1/8" NPT

SHAFT DIA. IN	UNIT NO.	BRG. NO.	Dimensions In Inches										BOLT SIZE IN.	UNIT WT.			
			A	B	C	D	E	F	G	H	J	K					
1/2	VPLS-208	VS-208															
5/8	VPLS-210	VS-210	1 1/16	4 7/8	3 5/8	1 7/32	7/8	7/16	11/32	2 3/32	1 1/32	13/32	3/8	.7			
3/4	VPLS-212	VS-212	1 1/4	5	3 25/32	1 11/32	25/32	7/16	15/32	2 15/32	1 7/32	1/2	3/8	1.3			
7/8	VPLS-214	VS-214															
15/16	VPLS-215	VS-215	1 5/16	5 1/2	4 1/8	1 13/32	13/16	7/16	15/32	2 11/16	1 3/8	9/16	3/8	1.4			
1	VPLS-216	VS-216															
1 1/8	VPLS-218	VS-218															
1 3/16	VPLS-219	VS-219	1 9/16	6 3/16	4 5/8	1 3/4	15/16	9/16	17/32	3 5/32	1 1/2	5/8	1/2	2.4			
1 1/4	VPLS-220S	VS-220S															
1 1/4	VPLS-220	VS-220															
1 3/8	VPLS-222	VS-222	1 13/16	6 3/4	5	1 3/4	7/8	9/16	21/32	3 5/8	1 11/16	11/16	1/2	3.5			
1 7/16	VPLS-223	VS-223															
1 1/2	VPLS-224	VS-224	1 15/16	7 1/8	5 3/8	1 15/16	1	9/16	3/4	3 15/16	1 15/16	3/4	1/2	4.5			
1 5/8	VPLS-226	VS-226															
1 11/16	VPLS-227	VS-227	2 1/16	7 3/8	5 21/32	2	29/32	9/16	11/16	4 3/16	1 15/16	3/4	1/2	5.5			
1 3/4	VPLS-228	VS-228															
1 15/16	VPLS-231	VS-231	2 3/16	8	6 3/16	2 3/16	15/16	11/16	11/16	4 1/2	2 1/32	3/4	5/8	5.9			
2	VPLS-232S																
2	VPLS-232	VS-232	2 7/16	8 13/16	6 15/16	2 5/16	1	11/16	13/16	4 29/32	2 3/16	7/8	5/8	7.6			
2 3/16	VPLS-235	VS-235															
2 1/4	VPLS-236	VS-236	2 11/16	9 1/2	7 13/32	2 3/8	1 5/32	11/16	13/16	5 1/2	2 9/16	1	5/8	9.7			
2 7/16	VPLS-239	VS-239															
2 11/16	VPLS-243	VS-243	3	10 3/4	8 1/4	2 11/16	1 3/8	13/16	15/16	6 3/16	2 3/4	1 1/16	3/4	12.5			
2 15/16	VPLS-247	VS-247	3 1/4	12	9 1/2	2 7/8	1 1/4	15/16	15/16	6 9/16	3 1/16	1 5/16	7/8	16.9			

REV 0

⊗ Air Handling (AH) To order specify AH suffix, i.e. VPLS-216 AH (See page 48)

⊗ Nickel Plated (NK) To order specify NK suffix, i.e. VPLS-216 NK

CROSS REFERENCE TO COMPETITORS PRODUCTS

REPLACES DODGE P2B-SCB		REPLACES SKF SYH-TM	REPLACES NTN UCPL2
REPLACES FAFNIR YAK	REPLACES LINK-BELT PL3-U200N	REPLACES HUB CITY P250 HW*	REPLACES BOSTON SL

Refer to Interchange Section Page 162 for more detail.

*-Malleable Casting

See page 152 for trademark acknowledgments.



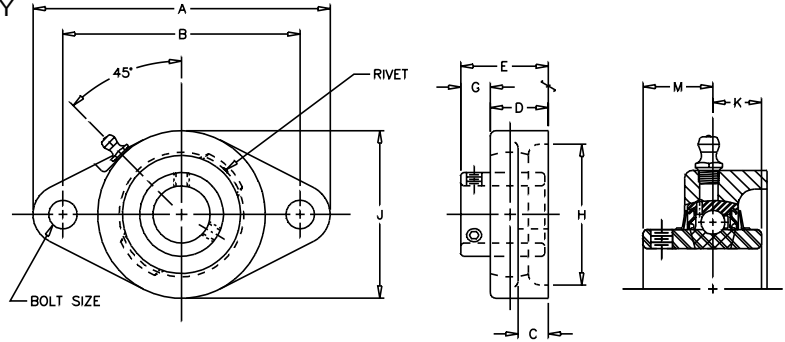
VF2S-200

Lock: Set Screw
Seal: Contact
Housing: Cast Iron
Temperature: -20°F to 200°F
Self Alignment: ±1.5°
Inserts: VS-200
 Dimensions pg 16
 Ratings pg 17

V VALUE & QUALITY
F FLANGE
2 TWO BOLT
S SET SCREW

2 200
0 NORMAL
0 DUTY

Bore Size	Fitting
1/2" - 1 1/4" S	1/4" - 28NF
1 1/4" - 2 15/16"	1/8" NPT



SHAFT DIA. IN	UNIT NO.	BRG. NO.	Dimensions in Inches										BOLT SIZE IN.	UNIT WT.
			A	B	C	D	E	G	H CORED	J	K	M		
NK 1/2	VF2S-208	VS-208	3 7/8	3	3/8	23/32	1 5/64	23/64	1 3/4	2 1/8	13/32	5/8	3/8	.9
NK 5/8	VF2S-210	VS-210												
NK 3/4	VF2S-212	VS-212	4 13/32	3 17/32	7/16	57/64	1 9/32	25/64	2	2 1/2	1/2	23/32	3/8	1.0
NK 7/8	VF2S-214	VS-214												
NK 15/16	VF2S-215	VS-215	4 7/8	3 57/64	1/2	61/64	1 7/16	31/64	2 5/16	2 3/4	9/16	13/16	7/16	1.1
NK 1	VF2S-216	VS-216												
NK 1 1/8	VF2S-218	VS-218												
NK 1 3/16	VF2S-219	VS-219	5 9/16	4 19/32	17/32	1 5/64	1 9/16	31/64	2 3/4	3 1/8	5/8	7/8	7/16	1.7
NK 1 1/4	VF2S-220S	VS-220S												
NK 1 1/4	VF2S-220	VS-220												
NK 1 3/8	VF2S-222	VS-222	6 1/8	5 1/8	19/32	1 5/32	1 3/4	19/32	3 3/16	3 5/8	11/16	1	1/2	2.7
NK 1 7/16	VF2S-223	VS-223												
NK 1 1/2	VF2S-224	VS-224	6 3/4	5 21/32	5/8	1 19/64	2 1/64	23/32	3 1/2	4 1/8	3/4	1 3/16	1/2	3.6
NK 1 5/8	VF2S-226	VS-226												
NK 1 11/16	VF2S-227	VS-227	7 1/16	5 27/32	5/8	1 21/64	2 3/64	23/32	3 3/4	4 3/8	3/4	1 3/16	9/16	3.7
NK 1 3/4	VF2S-228	VS-228												
NK 1 15/16	VF2S-231	VS-231												
NK 2	VF2S-232S	VS-232S	7 7/16	6 3/16	5/8	1 23/64	2 5/32	51/64	4	4 9/16	3/4	1 9/32	9/16	4.6
NK 2	VF2S-232	VS-232												
NK 2 3/16	VF2S-235	VS-235	8 1/2	7 1/4	13/16	1 33/64	2 5/16	51/64	4 1/4	5 1/4	7/8	1 5/16	5/8	5.9
NK 2 1/4	VF2S-236	VS-236												
NK 2 7/16	VF2S-239	VS-239	9 1/4	7 15/16	13/16	1 11/16	2 11/16	1	4 3/4	5 7/16	1	1 9/16	5/8	9.6
NK 2 11/16	VF2S-243	VS-243	10 1/8	8 5/16	13/16	1 49/64	2 7/8	1 7/64	5 1/8	6 1/8	1 1/16	1 11/16	5/8	17.0
NK 2 15/16	VF2S-247	VS-247	10 1/2	8 1/2	1	2 3/64	3 3/16	1 9/64	5 3/4	6 1/2	1 5/16	1 3/4	3/4	19.5

Air Handling (AH) To order specify AH suffix, i.e. VF2S-216 AH (See page 48)

Nickel Plated (NK) To order specify NK suffix, i.e. VF2S-216 NK

REV 0

CROSS REFERENCE TO COMPETITORS PRODUCTS

REPLACES DODGE F2B-SC		REPLACES SKF FYT-TM	REPLACES NTN UCFL2
REPLACES FAFNIR YCJT/RCJTC	REPLACES LINK-BELT FX3-U200N	REPLACES HUB CITY FB260 HW*	

Refer to Interchange Section Page 162 for more detail.

*-Malleable Casting

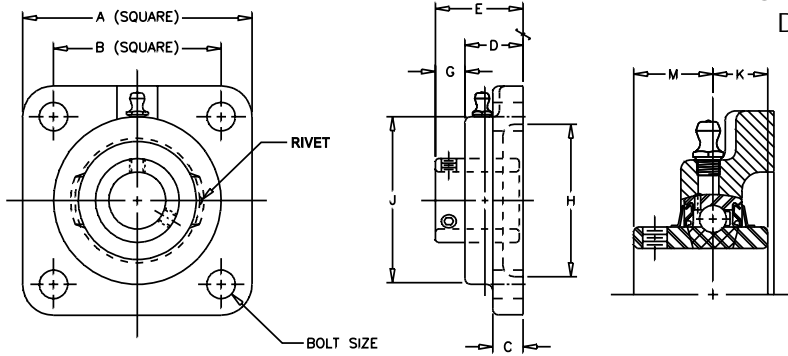
Ball Bearings

VALUE & QUALITY V
 FLANGE F
 FOUR BOLT 4
 SET SCREW S
 200 2
 NORMAL 0
 DUTY 0

VF4S-200

Lock: Set Screw
Seal: Contact
Housing: Cast Iron
Temperature: -20°F to 200°F
Self Alignment: ±1.5°
Inserts: VS-200
 Dimensions pg 16
 Ratings pg 17

Bore Size	Fitting
1/2" - 1 1/4" S	1/4" - 28NF
1 1/4" - 2 15/16"	1/8" NPT



	SHAFT DIA. IN	UNIT NO.	BRG. NO.	Dimensions In Inches										BOLT SIZE IN.	UNIT WT.
				A	B	C	D	E	G	H CORED	J	K	M		
	1/2	VF4S-208	VS-208	3	2 1/8	3/8	23/32	1 5/64	23/64	1 3/4	2 1/8	13/32	5/8	3/8	1.1
	5/8	VF4S-210	VS-210												
	3/4	VF4S-212	VS-212	3 3/8	2 1/2	7/16	57/64	1 9/32	25/64	2	2 1/2	1/2	23/32	3/8	1.4
	7/8	VF4S-214	VS-214												
	15/16	VF4S-215	VS-215	3 3/4	2 3/4	1/2	61/64	1 7/16	31/64	2 1/2	2 3/4	9/16	13/16	7/16	1.6
	1	VF4S-216	VS-216												
	1 1/8	VF4S-218	VS-218												
	1 3/16	VF4S-219	VS-219	4 1/4	3 1/4	17/32	1 5/64	1 9/16	31/64	2 7/8	3 1/8	5/8	7/8	7/16	2.6
	1 1/4	VF4S-220S	VS-220S												
	1 1/4	VF4S-220	VS-220												
	1 3/8	VF4S-222	VS-222	4 5/8	3 5/8	19/32	1 5/32	1 3/4	19/32	3 1/4	3 5/8	11/16	1	1/2	3.6
	1 7/16	VF4S-223	VS-223												
	1 1/2	VF4S-224	VS-224	5 1/8	4	5/8	1 19/64	2 1/64	23/32	3 1/2	4 1/8	3/4	1 3/16	1/2	4.9
	1 5/8	VF4S-226	VS-226												
	1 11/16	VF4S-227	VS-227	5 3/8	4 1/8	5/8	1 21/64	2 3/64	23/32	3 7/8	4 3/8	3/4	1 3/16	9/16	5.2
	1 3/4	VF4S-228	VS-228												
	1 15/16	VF4S-231	VS-231	5 5/8	4 3/8	5/8	1 23/64	2 5/32	51/64	4	4 9/16	3/4	1 9/32	9/16	5.6
	2	VF4S-232S	VS-232S												
	2	VF4S-232	VS-232	6 3/8	5 1/8	13/16	1 33/64	2 5/16	51/64	4 1/4	5 1/4	7/8	1 5/16	5/8	7.9
	2 3/16	VF4S-235	VS-235												
	2 1/4	VF4S-236	VS-236												
	2 7/16	VF4S-239	VS-239	6 7/8	5 5/8	13/16	1 11/16	2 11/16	1	5	5 7/16	1	1 9/16	5/8	9.6
	2 11/16	VF4S-243	VS-243	7 3/8	5 7/8	13/16	1 49/64	2 7/8	1 7/64	5 1/8	6 1/8	1 1/16	1 11/16	5/8	13.1
	2 15/16	VF4S-247	VS-247	7 3/4	6	1	2 3/64	3 3/16	1 9/64	5 3/4	6 1/2	1 5/16	1 3/4	3/4	16.4

REV 0

- Air Handling (AH) To order specify AH suffix, i.e. VF4S-216 AH (See page 48)
- Nickel Plated (NK) To order specify NK suffix, i.e. VF4S-216 NK

CROSS REFERENCE TO COMPETITORS PRODUCTS

REPLACES DODGE F4B-SC		REPLACES SKF FY-TM	REPLACES NTN UCF2
REPLACES FAFNIR YCJ/RCJC	REPLACES LINK-BELT F3U200N	REPLACES HUB CITY FB250 HW*	

Refer to Interchange Section Page 162 for more detail
 *-Malleable Casting



200

Browning[®]

Ball Bearings

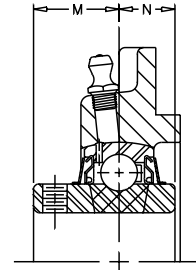
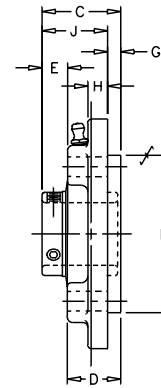
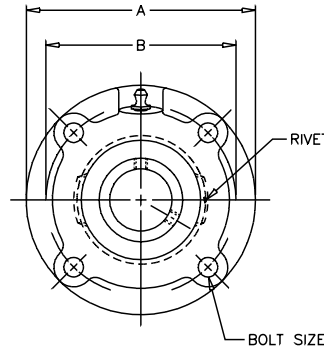
VFCS-200

Lock: Set Screw
Seal: Contact
Housing: Cast Iron
Temperature: -20°F to 200°F
Self Alignment: ±1.5°
Inserts: VS-200
 Dimensions pg 16
 Ratings pg 17

V VALUE & QUALITY
 F FLANGE
 C CARTRIDGE
 S SET SCREW

2 200
 0 NORMAL
 0 DUTY

Bore Size	Fitting
1 1/8" - 2" S	1/4" - 28NF
2" - 2 11/16"	1/8" NPT



SHAFT DIA. IN.	UNIT NO.	BRG. NO.	Dimensions in Inches											BOLT SIZE IN.	UNIT WT.	
			A	B	C	D	E	G	H	J	*K	M	N			
1 1/8	VFCS-218	VS-218														
1 3/16	VFCS-219	VS-219	4 3/8	3 5/8	1 1/2	1 1/64	31/64	1/4	3/8	1 1/4	3	7/8	5/8	5/16	2.4	
1 1/4	VFCS-220S	VS-220S														
1 1/4	VFCS-220	VS-220														
1 3/8	VFCS-222	VS-222	5	4 1/8	1 11/16	1 3/32	19/32	3/8	3/8	1 5/16	3 3/8	1	11/16	3/8	3.2	
1 7/16	VFCS-223	VS-223														
1 1/2	VFCS-224	VS-224	5 1/4	4 3/8	1 15/16	1 7/32	23/32	7/16	3/8	1 1/2	3 5/8	1 3/16	3/4	3/8	3.6	
1 5/8	VFCS-226	VS-226														
1 11/16	VFCS-227	VS-227	6 1/8	5 1/8	1 15/16	1 7/32	23/32	7/16	3/8	1 1/2	4 1/4	1 3/16	3/4	7/16	4.9	
1 3/4	VFCS-228	VS-228														
1 15/16	VFCS-231	VS-231	6 1/8	5 1/8	2 1/16	1 17/64	51/64	15/32	3/8	1 19/32	4 1/4	1 9/32	3/4	7/16	5.7	
2	VFCS-232S	VS-232S														
2	VFCS-232	VS-232	6 3/8	5 3/8	2 13/64	1 13/32	51/64	5/8	3/8	1 37/64	4 1/2	1 5/16	7/8	7/16	6.0	
2 3/16	VFCS-235	VS-235														
2 1/4	VFCS-236	VS-236	7 1/8	6	2 7/8	1 7/8	1	7/8	1/2	2	5	1 9/16	1	1/2	7.1	
2 7/16	VFCS-239	VS-239														
2 1/2	VFCS-240	VS-340	7 5/8	6 1/2	3 7/64	2	1 7/64	1	1/2	2 7/64	5 1/2	1 11/16	1 1/16	1/2	10.2	
2 11/16	VFCS-243	VS-243														

*Tolerance +.000", -.002"

REV 3

CROSS REFERENCE TO COMPETITORS PRODUCTS

REPLACES DODGE FC-SC	REPLACES MB PFC4-25		
FAFNIR RFC	REPLACES LINK-BELT VC3U200N		

Refer to Interchange Section Page 162 for more detail.

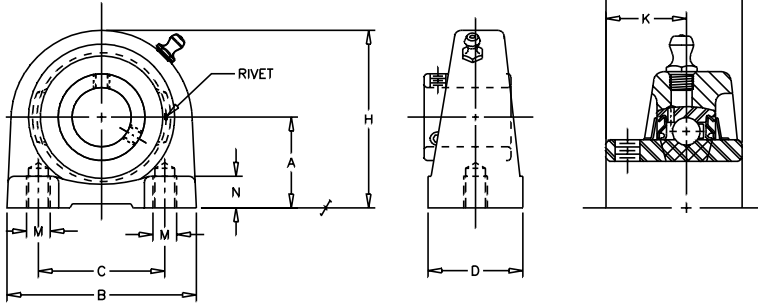
Ball Bearings

VALUE & QUALITY V
TAPPED T
BASE B
SET SCREW S

200 2
NORMAL 0
DUTY 0


VTBS-200

Lock: Set Screw
Seal: Contact
Housing: Cast Iron
Temperature: -20°F to 200°F
Self Alignment: ±1.5°
Inserts: VS-200
Dimension pg 16
Ratings pg 17



Bore Size	Fitting
1 1/8" - 2" S	1/4" - 28NF
2" - 2 11/16"	1/8" NPT

SHAFT DIA. IN	UNIT NO.	BRG. NO.	Dimensions in Inches							M BOLT HOLES UNC-THREAD	N MIN TAP DEPTH	UNIT WT.
			A	B	C	D	H	J	K			
NK 1/2	VTBS-208	VS-208	1 5/16	2 7/8	2	1 1/2	2 9/16	1 1/32	5/8	3/8-16	1/2	1.3
NK 5/8	VTBS-210	VS-210	1 5/16	2 7/8	2	1 1/2	2 9/16	1 7/32	23/32	3/8-16	1/2	1.5
NK 3/4	VTBS-212	VS-212	1 5/16	2 7/8	2	1 1/2	2 9/16	1 3/8	13/16	3/8-16	1/2	1.6
NK 7/8	VTBS-214	VS-214	1 7/16	3	2	1 1/2	2 13/16	1 1/2	7/8	7/16-14	5/8	2.5
NK 15/16	VTBS-215	VS-215	1 7/16	3	2	1 1/2	2 13/16	1 1/2	7/8	7/16-14	5/8	2.5
NK 1	VTBS-216	VS-216	1 7/16	3	2	1 1/2	2 13/16	1 1/2	7/8	7/16-14	5/8	2.5
NK 1 1/8	VTBS-218	VS-218	1 11/16	4	3	1 1/2	3 3/8	1 1/2	7/8	7/16-14	5/8	2.5
NK 1 3/16	VTBS-219	VS-219	1 11/16	4	3	1 1/2	3 3/8	1 1/2	7/8	7/16-14	5/8	2.5
NK 1 1/4	VTBS-220S	VS-220S	1 11/16	4	3	1 1/2	3 3/8	1 1/2	7/8	7/16-14	5/8	2.5
NK 1 1/4	VTBS-220	VS-220	1 7/8	4 1/4	3 1/4	1 7/8	3 3/4	1 11/16	1	1/2-13	3/4	3.4
NK 1 3/8	VTBS-222	VS-222	1 7/8	4 1/4	3 1/4	1 7/8	3 3/4	1 11/16	1	1/2-13	3/4	3.4
NK 1 7/16	VTBS-223	VS-223	1 7/8	4 1/4	3 1/4	1 7/8	3 3/4	1 11/16	1	1/2-13	3/4	3.4
NK 1 1/2	VTBS-224	VS-224	1 15/16	4 5/8	3 1/2	1 7/8	3 15/16	1 15/16	1 3/16	1/2-13	3/4	3.8
NK 1 5/8	VTBS-226	VS-226	1 15/16	4 5/8	3 1/2	1 7/8	3 15/16	1 15/16	1 3/16	1/2-13	3/4	3.8
NK 1 11/16	VTBS-227	VS-227	2 1/8	5	3 3/4	2	4 1/4	1 15/16	1 3/16	1/2-13	3/4	4.7
NK 1 3/4	VTBS-228	VS-228	2 1/8	5	3 3/4	2	4 1/4	1 15/16	1 3/16	1/2-13	3/4	4.7
NK 1 15/16	VTBS-231	VS-231	2 1/4	5 1/2	4	2	4 5/8	2 1/32	1 9/32	5/8-11	7/8	5.7
NK 2	VTBS-232S	VS-232S	2 1/4	5 1/2	4	2	4 5/8	2 1/32	1 9/32	5/8-11	7/8	5.7

 Nickel Plated (NK) To order specify NK suffix, i.e. VTBS-216 NK

REV 0

CROSS REFERENCE TO COMPETITORS PRODUCTS

REPLACES DODGE TB-SC	REPLACES MB TBC-25		

Refer to Interchange Section Page 162 for more detail.



200

Browning[®]

Ball Bearings

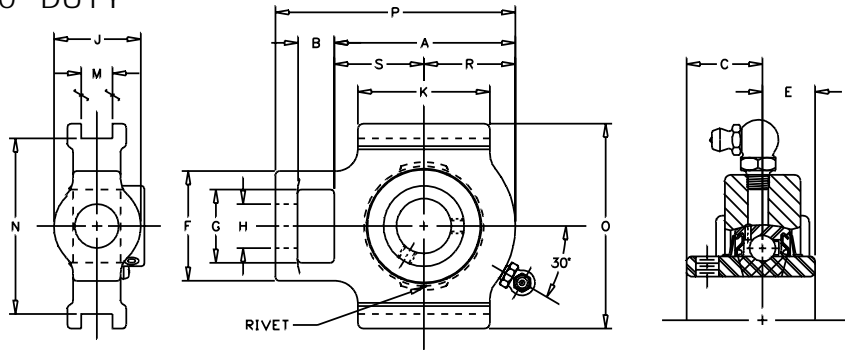
VTWS-200

Lock: Set Screw
 Seal: Contact
 Housing: Cast Iron
 Temperature: -20°F to 200°F
 Self Alignment: ±1.5°
 Inserts: VS-200
 Dimensions pg 16
 Ratings pg 17

V VALUE & QUALITY
 T TAKE-UP
 W WIDE SLOT
 S SET SCREW

2 200
 0 NORMAL
 0 DUTY

Bore Size	Fitting
1/2" - 1 1/4" S	1/4" - 28NF
1 1/4" - 2 15/16"	1/8" NPT



SHAFT DIA. IN	UNIT NO.	BRG. NO.	Dimensions In Inches															UNIT WT.
			A	B	C	E	F	G	H CORE	J HUB	K	M	N	O	P	R	S	
NK 1/2	VTWS-208	VS-208	2 11/16	5/8	5/8	13/32	1 7/8	1 1/4	3/4	1 3/8	2	17/32	3	3 1/2	3 11/16	1 5/16	1 3/8	1.5
5/8	VTWS-210	VS-210																
NK 3/4	VTWS-212	VS-212	3	5/8	23/32	1/2	1 7/8	1 1/4	3/4	1 3/8	2 1/4	17/32	3	3 1/2	4	1 7/16	1 9/16	1.7
7/8	VTWS-214	VS-214																
15/16	VTWS-215	VS-215	3 3/32	5/8	13/16	9/16	1 7/8	1 1/4	3/4	1 1/2	2 1/4	17/32	3	3 1/2	4 3/32	1 9/16	1 17/32	1.6
NK 1	VTWS-216	VS-216																
NK 1 1/8	VTWS-218	VS-218	3 3/8	3/4	7/8	5/8	2 1/8	1 7/16	7/8	1 3/4	2 1/2	17/32	3 1/2	4	4 5/8	1 25/32	1 19/32	2.4
NK 1 3/16	VTWS-219	VS-219																
NK 1 1/4	VTWS-220	VS-220																
1 3/8	VTWS-222	VS-222	3 3/4	3/4	1	11/16	2 1/8	1 7/16	7/8	1 3/4	2 3/4	17/32	3 1/2	4	5	2	1 3/4	3.3
NK 1 7/16	VTWS-223	VS-223																
NK 1 1/2	VTWS-224	VS-224	4 7/32	3/4	1 3/16	3/4	2 3/4	1 15/16	1 1/8	2 1/8	3 1/4	11/16	4	4 1/2	5 19/32	2 3/16	2 1/32	5.0
1 5/8	VTWS-226	VS-226																
1 11/16	VTWS-227	VS-227	4 3/8	3/4	1 3/16	3/4	2 3/4	1 15/16	1 1/8	2 1/8	3 1/4	11/16	4	4 1/2	5 3/4	2 1/4	2 1/8	5.6
1 3/4	VTWS-228	VS-228																
NK 1 15/16	VTWS-231	VS-231	4 17/32	3/4	1 9/32	3/4	2 3/4	1 15/16	1 1/8	2 1/8	3 3/8	11/16	4	4 1/2	5 29/32	2 5/16	2 7/32	5.8
2	VTWS-232	VS-232																
2 3/16	VTWS-235	VS-235	5 3/32	1	1 5/16	7/8	3 5/8	2 1/2	1 3/8	2 1/2	3 3/4	1 1/16	5 1/8	5 3/4	6 27/32	2 9/16	2 17/32	8.4
2 7/16	VTWS-239	VS-239	5 1/2	1	1 9/16	1	3 5/8	2 1/2	1 3/8	2 1/2	4	1 1/16	5 1/8	5 3/4	7 1/4	2 27/32	2 21/32	9.3

NK Nickel Plated (NK) To order specify NK suffix, i.e. VTWS-216 NK

REV 0

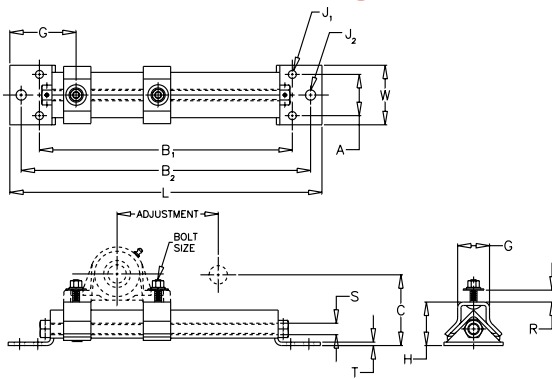
CROSS REFERENCE TO COMPETITORS PRODUCTS

REPLACES DODGE WSTU-SC	REPLACES MB TC-25	REPLACES SKF TBY-TM	
FAFNIR YTU	REPLACES LINK-BELT TH3-U200N		

Refer to Interchange Section Page 162 for more detail.

Ball Bearings

TU-FRAMES

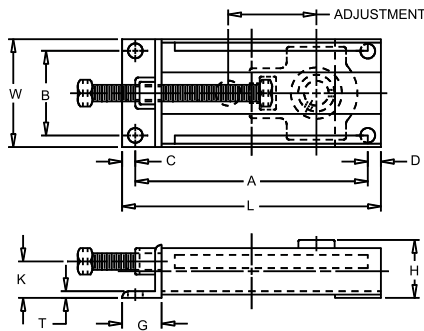


TOP FLANGE
Bearings
Sold
Separately

TF
PROTECTED
SCREW
TAKEUP
FRAME

FRAME PART NO.	BORE RANGE	Nominal Adjust-ment	Dimensions In Inches													BOLT SIZE	UNIT WT.
			L	W	A	B1	B2	G	H	J1	J2	Q	R	S	T		
6TF16	3/4-1	6	17 1/8	3 1/4	2 1/4	13 7/8	15 7/8	3 5/16	2 3/8	7/16	9/16	1 3/4	9/16	5/8	3/16	3/8	6.0
9TF16	3/4-1	9	20 1/8	3 1/4	2 1/4	16 7/8	18 7/8	3 5/16	2 3/8	7/16	9/16	1 3/4	9/16	5/8	3/16	3/8	6.7
6TF31	1 1/16-1 15/16	6	18 3/16	3 1/2	2 1/2	15 7/16	16 15/16	3 3/8	2 13/16	7/16	9/16	2 5/16	7/8	3/4	3/16	1/2	8.9
9TF31	1 1/16-1 15/16	9	22 5/8	3 1/2	2 1/2	19 7/8	21 3/8	3 3/8	2 13/16	7/16	9/16	2 5/16	7/8	3/4	3/16	1/2	10.3
12TF31	1 1/16-1 15/16	12	24 3/16	3 1/2	2 1/2	21 7/16	22 15/16	3 3/8	2 13/16	7/16	9/16	2 5/16	7/8	3/4	3/16	1/2	10.9
18TF31	1 1/16-1 15/16	18	31 5/8	3 1/2	2 1/2	28 7/8	30 3/8	3 3/8	2 13/16	7/16	9/16	2 5/16	7/8	3/4	3/16	1/2	13.3
12TF39	2-2 7/16	12	28	4 1/2	3	24 3/4	26 3/4	4	3 5/16	9/16	11/16	2 5/8	15/16	1	1/4	5/8	18.3
18TF39	2-2 7/16	18	34	4 1/2	3	30 3/4	32 3/4	4	3 5/16	9/16	11/16	2 5/8	15/16	1	1/4	5/8	21.2

REV 0



SIDE FLANGE
Bearings
Sold
Separately

SF
CENTER
PULL
TAKEUP
FRAME

FRAME PART NO.	BORE RANGE	Adjustment	Dimensions In Inches												BOLT HOLES		UNIT WT.
			L	W	A	B	C	D	G	H Locking Type		K	T	No.	SIZE		
	Set Screw									Eccentric lock							
1SF10	1/2 - 1	1 1/2	7	4 1/16	6	3 3/16	1/2	1/2	1 1/2	2 7/16	2 25/32	1 3/8	1/4	3	9/16	3.3	
3SF16	1/2 - 1	3	8 1/2	4 1/16	7 1/2	3 3/16	1/2	1/2	1 1/2	2 7/16	2 25/32	1 3/8	1/4	3	9/16	3.9	
6SF16	1/2 - 1	6	11 1/2	4 1/16	10 1/2	3 3/16	1/2	1/2	1 1/2	2 7/16	2 25/32	1 3/8	1/4	3	9/16	5.1	
9SF16	1/2 - 1	9	14 1/2	4 1/16	13 1/2	3 3/16	1/2	1/2	1 1/2	2 7/16	2 25/32	1 3/8	1/4	3	9/16	6.2	
3SF23	1 1/8 - 1 7/16	3	9 3/8	4 11/16	8 3/8	3 11/16	1/2	1/2	1 1/2	2 31/32	3 19/64	1 3/8	1/4	3	9/16	5.4	
6SF23	1 1/8 - 1 7/16	6	12 3/8	4 11/16	11 3/8	3 11/16	1/2	1/2	1 1/2	2 31/32	3 19/64	1 3/8	1/4	3	9/16	6.7	
9SF23	1 1/8 - 1 7/16	9	15 3/8	4 11/16	14 3/8	3 11/16	1/2	1/2	1 1/2	2 31/32	3 19/64	1 3/8	1/4	3	9/16	8.1	
12SF23	1 1/8 - 1 7/16	12	18 3/8	4 11/16	17 3/8	3 11/16	1/2	1/2	1 1/2	2 31/32	3 19/64	1 3/8	1/4	3	9/16	9.5	
3SF31	1 1/2 - 1 15/16	3	11	5 1/16	9 7/8	3 1/16	1/2	5/8	1 1/2	3 1/8	3 11/32	1 5/8	1/4	4	9/16	7.4	
6SF31	1 1/2 - 1 15/16	6	14	5 1/16	12 7/8	3 1/16	1/2	5/8	1 1/2	3 1/8	3 11/32	1 5/8	1/4	4	9/16	9.1	
9SF31	1 1/2 - 1 15/16	9	17	5 1/16	15 7/8	3 1/16	1/2	5/8	1 1/2	3 1/8	3 11/32	1 5/8	1/4	4	9/16	10.8	
12SF31	1 1/2 - 1 15/16	12	20	5 1/16	18 7/8	3 1/16	1/2	5/8	1 1/2	3 1/8	3 11/32	1 5/8	1/4	4	9/16	12.5	
18SF31	1 1/2 - 1 15/16	18	26	5 1/16	24 7/8	3 1/16	1/2	5/8	1 1/2	3 1/8	3 11/32	1 5/8	1/4	4	9/16	15.9	
9SF39	2 - 2 7/16	9	18 1/4	6 3/8	16 7/8	4 1/8	5/8	3/4	1 1/2	3 23/32	4 1/8	1 7/8	5/16	4	11/16	20.0	
12SF39	2 - 2 7/16	12	22 1/4	6 3/8	19 7/8	4 1/8	5/8	3/4	1 1/2	3 23/32	4 1/8	1 7/8	5/16	4	11/16	22.8	
18SF39	2 - 2 7/16	18	27 1/4	6 3/8	25 7/8	4 1/8	5/8	3/4	1 1/2	3 23/32	4 1/8	1 7/8	5/16	4	11/16	28.2	

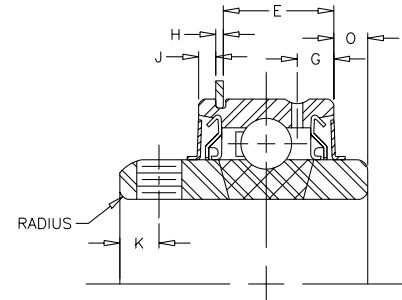
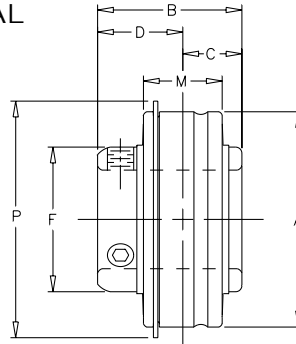
REV 1

VER-200

V VALUE & QUALITY
E ER STYLE
R INSERTS

Lock: Set Screw
Seal: Contact
Temperature: -20°F to 200°F
Ratings: pg 17

2 200
0 NORMAL
0 DUTY



SHAFT DIA. IN.	BRG. NO.	Dimensions in Inches														UNIT WT.
		A	B	C	D	E	F	G	H	J	K	M	RAD	O	P	
1/2	VER-208	47MM	1 7/32	1/2	23/32	31/64	1 3/16	11/64	3/64	3/32	3/16	5/8	.040	.093	2 1/16	0.6
5/8	VER-210	1.8504														
3/4	VER-212															
7/8	VER-214	52MM	1 3/8	9/16	13/16	39/64	1 3/8	13/64	3/64	3/32	7/32	3/4	.040	.135	2 17/64	0.7
15/16	VER-215	2.0472														
1	VER-216															
1 1/16	VER-217															
1 1/8	VER-218	62MM	1 1/2	5/8	7/8	11/16	1 19/32	7/32	1/16	1/8	7/32	7/8	.040	.187	2 21/32	0.9
1 3/16	VER-219	2.4409														
1 1/4	VER-220S															
1 1/4	VER-220	72MM	1 11/16	11/16	1	3/4	1 35/64	7/32	1/16	1/8	1/4	15/16	.040	.218	3 5/64	1.4
1 3/8	VER-222	2.8346														
1 7/16	VER-223															
1 1/2	VER-224	80MM	1 15/16	3/4	1 3/16	29/32	2 1/16	1/4	1/16	1/8	5/16	1 3/32	.062	.203	3 13/32	2
1 9/16	VER-225	3.1496														
1 5/8	VER-226	85MM	1 15/16	3/4	1 3/16	29/32	2 19/64	1/4	1/16	1/8	5/16	1 3/32	.062	.203	3 19/32	2.3
1 11/16	VER-227	3.3465														
1 3/4	VER-228															
1 7/8	VER-230	90MM	2 1/32	3/4	1 9/32	29/32	2 15/32	19/64	3/32	1/8	3/8	1 1/8	.062	.187	3 25/32	2.4
1 15/16	VER-231	3.5433														
2	VER-232	100MM	2 3/16	7/8	1 5/16	31/32	2 23/32	19/64	3/32	1/8	3/8	1 3/16	.080	.281	4 3/16	3
2 3/16	VER-235	3.9370														
2 1/4	VER-236															
2 3/8	VER-238	110MM	2 9/16	1	1 9/16	1 1/32	2 63/64	19/64	3/32	1/8	7/16	1 1/4	.080	.375	4 19/32	4
2 7/16	VER-239	4.3307														
2 11/16	VER-243	125MM	2 3/4	1 1/16	1 11/16	1 7/64	3 7/16	5/16	7/64	5/32	7/16	1 3/8	.080	.375	5 9/32	5.6
2 15/16	VER-247	4.9213														
3	VER-248	130MM	3 1/16	1 5/16	1 3/4	1 15/64	3 41/64	3/8	7/64	5/32	7/16	1 1/2	.080	.562	5 1/2	6.4
3 3/16	VER-251	5.1181														
3	VER-248	140MM	3 1/4		1 15/16	1 25/64	3 59/64	7/16	7/64	3/16	17/32	1 11/16	.120	.468	5 7/8	7.9
3 3/16	VER-251	5.5118														

REV 1

CROSS REFERENCE TO COMPETITORS PRODUCTS

REPLACES FAFNIR ER	REPLACES MB ER		

Refer to Interchange Section Page 162 for more detail.



Ball Bearings

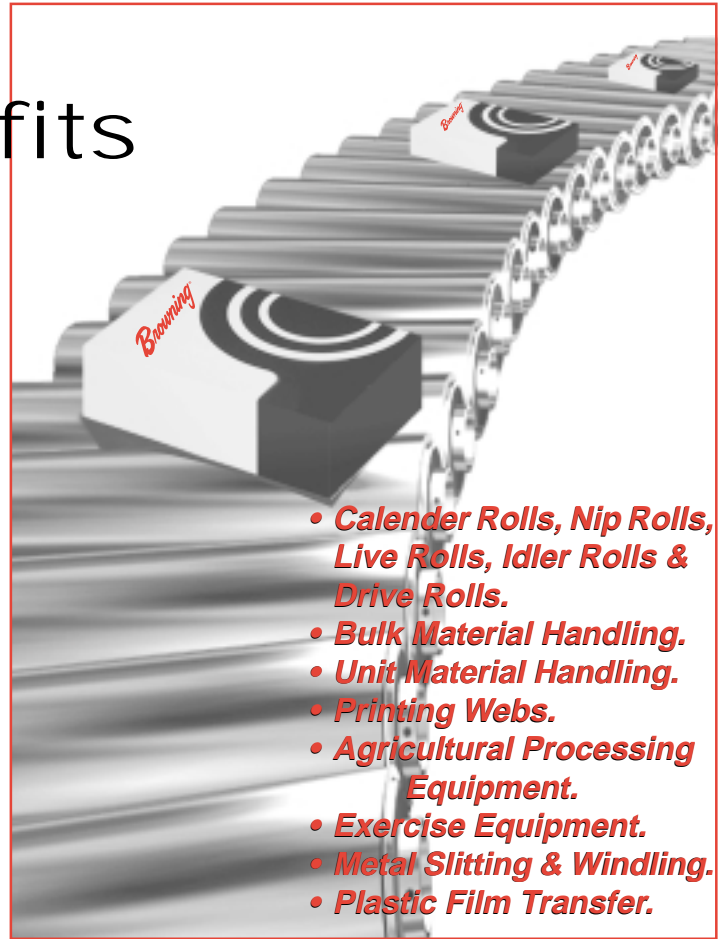
VER-200

Features/Benefits

BROWNING VER Ball Bearings are an economical alternative. The VER critical dimensions are interchangeable with industry standard ER units. The cylindrical outside diameter incorporates a locating snap ring for easy installation and positive location. There is also a grease port in the outer race to provide for lubrication.

VER Ball Bearings offer the following standard features:

- 120° Positioned Set Screws with Diamond Faceted Tips
- Protective Flinger and Molded Lip Contact Seals
- Stabilized Nylon Retainer
- High Quality Bearing Steel



- *Calender Rolls, Nip Rolls, Live Rolls, Idler Rolls & Drive Rolls.*
- *Bulk Material Handling.*
- *Unit Material Handling.*
- *Printing Webs.*
- *Agricultural Processing Equipment.*
- *Exercise Equipment.*
- *Metal Slitting & Windling.*
- *Plastic Film Transfer.*

HOUSING ID RECOMMENDATIONS

Cartridge No.	Dimensions in inches									
	Outside Dia. of Cartridge		Stationary Housing				Revolving Housing			
	Diameters		Diameters		Theoretical Fit		Diameters		Theoretical Fit	
	Max.	Min.	Max.	Min.	Max.	Min.	Max.	Min.	Max.	Min.
VER-208 thru VER-212	1.8504	1.8499	1.8509	1.8503	.0001	.0010	1.8504	1.8498	.0006	.0005
VER-214 thru VER-216	2.0472	2.0466	2.0476	2.0471	.0001	.0010	2.0471	2.0466	.0006	.0005
VER-217 thru VER-219 VER-220S	2.4409	2.4403	2.4413	2.4408	.0001	.0010	2.4408	2.4403	.0006	.0005
VER-220 thru VER-223	2.8346	2.8340	2.8350	2.8345	.0001	.0010	2.8345	2.8340	.0006	.0005
VER-224 VER-225	3.1496	3.1490	3.1500	3.1495	.0001	.0010	3.1495	3.1490	.0006	.0005
VER-226 thru VER-228	3.3465	3.3457	3.3470	3.3464	.0001	.0013	3.3464	3.3458	.0007	.0007
VER-230, VER-231	3.5433	3.5425	3.5438	3.5432	.0001	.0013	3.5432	3.5426	.0007	.0007
VER-232, VER-235	3.9370	3.9362	3.9375	3.9369	.0001	.0013	3.9369	3.9363	.0007	.0007
VER-236 thru VER-239	4.3307	4.3299	4.3312	4.3306	.0001	.0013	4.3306	4.3300	.0007	.0007
VER-243	4.9213	4.9203	4.9219	4.9211	.0002	.0016	4.9212	4.9204	.0009	.0009
VER-247	5.1181	5.1171	5.1187	5.1179	.0002	.0016	5.1180	5.1172	.0009	.0009
VER-248 VER-251	5.5118	5.5108	5.5124	5.5116	.0002	.0016	5.5117	5.5109	.0009	.0009

See page 152 for trademark acknowledgments.



200

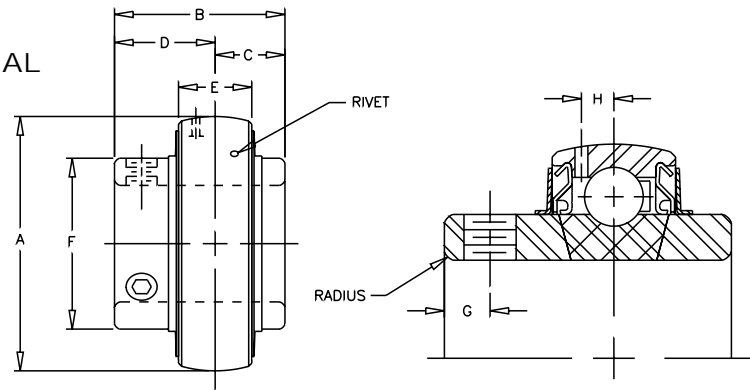
Ball Bearings

VS-200

Lock: Set Screw
Seal: Contact
Temperature: -20°F to 200°F
Ratings: Page 17

V VALUE & QUALITY
 S SET SCREW INSERT

2 200
 0 NORMAL
 0 DUTY



SHAFT DIA. IN	BRG. NO.	Dimensions In Inches									SET SCREW TAP	UNIT WT.
		A	B	C	D	E	F	G	H	RADIUS		
1/2	VS-208	40MM	1 1/32	13/32	5/8	.512	31/32	5/32	9/64	.040	10-32	.4
5/8	VS-210	1.5748										
3/4	VS-212	47MM	1 7/32	1/2	23/32	.591	1 3/16	3/16	5/32	.040	1/4-28	.4
7/8	VS-214	52MM	1 3/8	9/16	13/16	.591	1 3/8	7/32	5/32	.040	1/4-28	.6
15/16	VS-215	2.0472										
1	VS-216											
1 1/8	VS-218	62MM	1 1/2	5/8	7/8	.709	1 19/32	7/32	13/64	.040	1/4-28	.9
1 3/16	VS-219	2.4409										
1 1/4	VS-220S											
1 1/4	VS-220	72MM	1 11/16	11/16	1	.748	1 55/64	1/4	15/64	.040	5/16-24	1.2
1 3/8	VS-222	2.8346										
1 7/16	VS-223											
1 1/2	VS-224	80MM	1 15/16	3/4	1 3/16	.866	2 1/16	5/16	17/64	.062	5/16-24	1.5
1 5/8	VS-226	3.1496										
1 11/16	VS-227	85MM	1 15/16	3/4	1 3/16	.866	2 19/64	5/16	17/64	.062	5/16-24	1.6
1 3/4	VS-228	3.3465										
1 15/16	VS-231	90MM	2 1/32	3/4	1 9/32	.906	2 15/32	3/8	9/32	.062	3/8-24	1.8
2	VS-232S	3.5433										
2	VS-232	100MM	2 3/16	7/8	1 5/16	.984	2 23/32	3/8	5/16	.080	3/8-24	2.3
2 3/16	VS-235	3.9370										
2 1/4	VS-236	110MM	2 9/16	1	1 9/16	1.063	2 63/64	7/16	21/64	.080	3/8-24	3.1
2 7/16	VS-239	4.3307										
2 11/16	VS-243	125MM	2 3/4	1 1/16	1 11/16	1.102	3 7/16	7/16	3/8	.125	7/16-20	4.5
		4.9213										
2 15/16	VS-247	130MM	3 1/16	1 5/16	1 3/4	1.142	3 41/64	7/16	3/8	.125	7/16-20	6.7
		5.1181										
3 1/2	VS-256	160MM	3 25/32	1 9/16	2 7/32	1.457	4 25/64	5/8	1/2	.125	1/2-20	11.5
		6.2992										

REV 0

CROSS REFERENCE TO COMPETITORS PRODUCTS

For insert interchange information, contact EPT Mounted Bearing Technical Support.

See page 256 for contact information.

Browning®

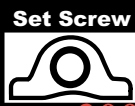
Ball Bearings

200 SERIES RATINGS

This chart displays 200 series ball bearings' load capacity for a given L10 life, speed, and shaft size. Values in the table represent loads at ideal conditions with press fit mounting to the shaft. ABMA recommends de-rating of slip fit mounted bearings. To obtain de-rated load, divide load in table by 1.3. Values in the table represent equivalent radial loads only. For combined load determination, see **THE BEARING SELECTION SECTION**, page 262. Areas designated by “-” exceed maximum speed values.

Match Bore Size

SHAFT SIZES 200 Dia. Inches	L10 HOURS	REVOLUTIONS PER MINUTE																		
		50	150	250	500	750	1000	1500	1750	2000	2500	3000	3500	4000	4500	5000	5500	6500	7500	
1/2 5/8	5000	500	500	500	397	347	315	275	261	250	232	218	207	198	191	184	178	169	161	
	10000	500	470	397	315	275	250	218	207	198	184	173	165	157	151	146	142	134	128	
	30000	470	326	275	218	191	173	151	144	138	128	120	114	109	105	101	98	93	89	
	50000	397	275	232	184	161	146	128	121	116	108	101	96	92	89	85	83	78	75	
	100000	315	218	184	146	128	116	101	96	92	85	80	76	73	70	68	66	62	59	
3/4	5000	619	619	619	491	429	390	341	324	310	287	270	257	246	236	228	221	209		
	10000	583	583	491	390	341	310	270	257	246	228	215	204	195	188	181	175	166		
	30000	583	404	341	270	236	215	188	178	170	158	149	141	135	130	126	122	115		
	50000	491	341	287	228	199	181	158	150	144	133	126	119	114	110	106	103	97		
	100000	390	270	228	181	158	144	126	119	114	106	100	95	91	87	84	81	77		
7/8 15/16 1	5000	664	664	664	527	461	418	366	347	332	308	290	276	264	253	245	237			
	10000	625	625	527	418	366	332	290	276	264	245	230	219	209	201	194	188			
	30000	625	433	366	290	253	230	201	191	183	170	160	152	145	139	135	130			
	50000	527	366	308	245	214	194	170	161	154	143	135	128	122	118	114	110	110		
	100000	418	290	245	194	170	154	135	128	122	114	107	102	97	93	90	87			
1 1/8 1 3/16 1 1/4	5000	1039	1039	1039	825	720	654	572	543	519	482	454	431	412	396					
	10000	978	978	825	654	572	519	454	431	412	383	360	342	327	315					
	30000	978	678	572	454	396	390	315	299	286	265	250	237	227	218					
	50000	825	572	482	383	334	304	265	252	241	224	211	200	191	184					
	100000	654	454	383	304	265	241	211	200	191	178	167	159	152	146					
1 1/4 1 3/8 1 7/16	5000	1290	1290	1290	1088	951	864	755	717	686	636	599	569	544						
	10000	1290	1290	1088	864	755	686	599	569	544	505	475	452	432						
	30000	1290	895	755	599	523	475	415	394	377	350	330	313	299						
	50000	1088	755	636	505	441	401	350	333	318	295	278	264	253						
	100000	864	599	505	401	350	318	278	264	253	234	221	210	200						
1 1/2	5000	1638	1638	1638	1381	1207	1096	958	910	870	808	760	722							
	10000	1638	1638	1381	1096	958	870	760	722	691	641	603	573							
	30000	1638	1136	958	760	664	603	527	501	479	445	418	397							
	50000	1381	958	808	641	560	509	445	422	404	375	353	335							
	100000	1096	760	641	509	445	404	353	335	321	298	280	266							
1 5/8 1 11/16 1 3/4	5000	1763	1763	1763	1487	1299	1180	1031	979	937	870	818								
	10000	1763	1763	1487	1180	1031	937	818	777	744	690	650								
	30000	1763	1222	1031	818	715	650	567	539	516	479	450								
	50000	1487	1031	870	690	603	548	479	455	435	404	380								
	100000	1180	818	690	548	479	435	380	361	345	320	301								
1 15/16 2	5000	1760	1760	1760	1485	1297	1178	1029	978	935	868	817								
	10000	1760	1760	1485	1178	1029	935	817	7769	742	689	649								
	30000	1760	1221	1029	817	714	649	567	538	515	478	450								
	50000	1485	1029	868	689	602	547	478	454	434	403	379								
	100000	1178	817	689	547	478	434	379	360	345	320	301								
2 2 3/16	5000	2176	2176	2176	1835	1603	1457	1273	1209	1156	1073									
	10000	2176	2176	1835	1457	1273	1156	1010	959	918	852									
	30000	2176	1509	1273	1010	882	802	700	665	636	591									
	50000	1835	1273	1073	852	744	676	591	561	537	498									
	100000	1457	1010	852	676	591	537	469	445	426	395									
2 1/4 2 7/16	5000	2631	2631	2631	2219	1938	1761	1538	1461	1398	1298									
	10000	2631	2631	2219	1761	1538	1398	1221	1160	1109	1030									
	30000	2631	1824	1538	1221	1067	969	847	804	769	714									
	50000	2219	1538	1298	1030	900	817	714	678	649	602									
	100000	1761	1221	1030	817	714	649	567	538	515	478									
2 11/16	5000	3118	3118	3118	2629	2297	2087	1823	1732	1656										
	10000	3118	3118	2629	2087	1823	1656	1447	1375	1315										
	30000	3118	2162	1823	1447	1264	1149	1003	953	912										
	50000	2629	1823	1538	1220	1066	969	846	804	769										
	100000	2087	1447	1220	969	846	769	672	638	610										
2 15/16	5000	3311	3311	3311	2793	2440	2217	1936	1839	1759										
	10000	3311	3311	2793	2217	1936	1759	1537	1460	1396										
	30000	3311	2296	1936	1537	1343	1220	1066	1012	968										
	50000	2793	1936	1633	1296	1332	1029	899	854	817										
	100000	2217	1537	1296	1029	899	817	713	678	648										



300

Browning

Ball Bearings

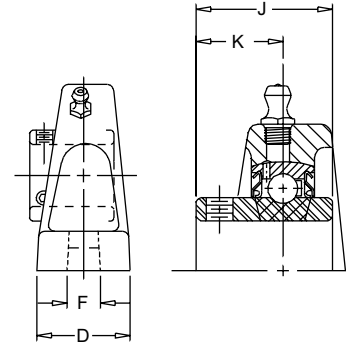
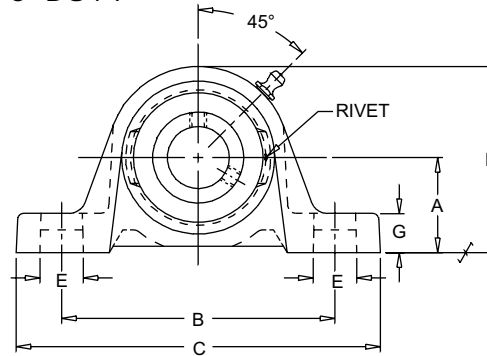
VPS-300

Lock: Set Screw
Seal: Contact
Housing: Cast Iron
Temperature: -20°F to 200°F
Self Alignment: ±1.5°
Inserts: VS-300
 Dimensions pg 24
 Ratings pg 25

V VALUE & QUALITY
 P PILLOW BLOCK
 S SET SCREW

3 300
 0 MEDIUM
 0 DUTY

Bore Size	Fitting
1"	1/4" - 28NF
1 3/16" - 3"	1/8" NPT



SHAFT DIA. IN	UNIT NO.	BRG. NO.	Dimensions in Inches										BOLT SIZE IN.	UNIT WT.
			A	B	C	D	E	F	G	H	J	K		
⊗ 1	VPS-316	VS-316	1 3/4	4 5/8	6 3/16	1 3/4	15/16	9/16	23/32	3 11/32	1 1/2	7/8	1/2	3.6
⊗ 1 3/16	VPS-319	VS-319	1 7/8	5	6 3/4	1 3/4	7/8	9/16	23/32	3 11/16	1 11/16	1	1/2	4.8
⊗ 1 7/16	VPS-323	VS-323	2 1/8	5 17/32	7 1/4	2	29/32	9/16	13/16	4 3/16	1 15/16	1 3/16	1/2	6.2
⊗ 1 1/2	VPS-324	VS-324	2 5/16	5 31/32	7 13/16	2 3/16	1	11/16	13/16	4 9/16	1 15/16	1 3/16	5/8	8.0
⊗ 1 11/16	VPS-327	VS-327	2 5/16	6 1/8	7 15/16	2 1/4	1	11/16	13/16	4 5/8	2 1/32	1 9/32	5/8	8.0
⊗ 1 3/4	VPS-328	VS-328	2 5/16	6 1/8	7 15/16	2 1/4	1	11/16	13/16	4 5/8	2 1/32	1 9/32	5/8	8.0
⊗ 1 15/16	VPS-331	VS-331	2 1/2	6 15/16	8 13/16	2 5/16	1	11/16	7/8	4 31/32	2 3/16	1 5/16	5/8	10.5
⊗ 2	VPS-332	VS-232	2 1/2	6 15/16	8 13/16	2 5/16	1	11/16	7/8	4 31/32	2 3/16	1 5/16	5/8	10.5
⊗ 2 3/16	VPS-335	VS-335	2 3/4	7 13/32	9 1/2	2 3/8	1 5/32	11/16	7/8	5 9/16	2 9/16	1 9/16	5/8	14.3
⊗ 2 1/4	VPS-336	VS-236	2 3/4	7 13/32	9 1/2	2 3/8	1 5/32	11/16	7/8	5 9/16	2 9/16	1 9/16	5/8	14.3
⊗ 2 7/16	VPS-339	VS-339	3	8 1/4	10 3/4	2 11/16	1 3/8	13/16	15/16	6 3/16	2 3/4	1 11/16	3/4	18.7
⊗ 2 1/2	VPS-340	VS-340	3	8 1/4	10 3/4	2 11/16	1 3/8	13/16	15/16	6 3/16	2 3/4	1 11/16	3/4	18.7
⊗ 2 11/16	VPS-343	VS-343	3 1/2	9 1/8	12	2 7/8	1 1/4	15/16	1	6 13/16	3 1/16	1 3/4	7/8	24.2
⊗ 2 15/16	VPS-347	VS-347	3 1/2	9 1/4	12	3	1 1/2	15/16	1 1/4	7	3 1/4	1 15/16	7/8	26.4
⊗ 3	VPS-348	VS-348	3 1/2	9 1/4	12	3	1 1/2	15/16	1 1/4	7	3 1/4	1 15/16	7/8	26.4
⊗ 3 7/16	VPS-355	VS-355	4	11 1/8	14	3 3/8	1 1/2	15/16	1 5/16	7 15/16	3 25/32	2 7/32	7/8	38.5
⊗ 3 1/2	VPS-356	VS-256	4	11 1/8	14	3 3/8	1 1/2	15/16	1 5/16	7 15/16	3 25/32	2 7/32	7/8	38.5
⊗ 3 15/16	VPS-363	VS-363	5	13 1/4	17	4	1 13/16	1 1/16	1 3/8	9 3/4	4 5/8	2 11/16	1	72.6

REV 1

⊗ Air Handling (AH) To order specify AH suffix, i.e. VPS-316 AH (see page 48)

CROSS REFERENCE TO COMPETITORS PRODUCTS

REPLACES DODGE P2B-SCM	REPLACES MB C-35	REPLACES SKF SYM-TM	REPLACES NTN UCPX
		REPLACES HUB CITY PB350**	REPLACES BOSTON MB

Refer to Interchange Section Page 162 for more detail.

**-Narrow Length through Bore

Ball Bearings

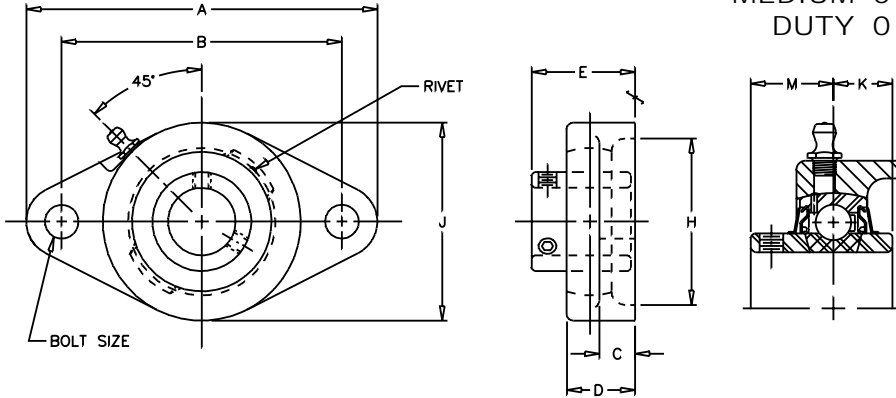
VALUE & QUALITY V
 FLANGE F
 TWO BOLT 2
 SET SCREW S

300 3
 MEDIUM 0
 DUTY 0

VF2S-300

Lock: Set Screw
Seal: Contact
Housing: Cast Iron
Temperature: -20°F to 200°F
Self Alignment: ±1.5°
Inserts: VS-300
 Dimensions pg 24
 Ratings pg 25

Bore Size	Fitting
1"	1/4" - 28NF
1 3/16" - 3"	1/8" NPT



SHAFT DIA. IN.	UNIT NO.	BRG. NO.	Dimensions In Inches									BOLT SIZE IN.	UNIT WT.
			A	B	C	D	E	H CORED	J	K	M		
⊗ 1	VF2S-316	VS-316	5 9/16	4 19/32	17/32	1 5/64	1 9/16	2 3/4	3 1/8	5/8	7/8	7/16	2.7
⊗ 1 3/16	VF2S-319	VS-319	6 1/8	5 1/8	19/32	1 5/32	1 3/4	3 3/16	3 5/8	11/16	1	1/2	2.7
⊗ 1 1/4	VF2S-320	VS-220											
⊗ 1 7/16	VF2S-323	VS-323	6 3/4	5 21/32	5/8	1 19/64	2 1/64	3 1/2	4 1/8	3/4	1 3/16	1/2	4.8
⊗ 1 1/2	VF2S-324	VS-324	7 1/16	5 27/32	5/8	1 21/64	2 3/64	3 3/4	4 3/8	3/4	1 3/16	9/16	4.8
⊗ 1 11/16	VF2S-327	VS-327	7 7/16	6 3/16	5/8	1 23/64	2 5/32	4	4 9/16	3/4	1 9/32	9/16	7.6
⊗ 1 3/4	VF2S-328	VS-328											
⊗ 1 15/16	VF2S-331	VS-331	8 1/2	7 1/4	13/16	1 33/64	2 5/16	4 1/4	5 1/4	7/8	1 5/16	5/8	9.6
⊗ 2	VF2S-332	VS-232											

REV 0

⊗ Air Handling (AH) To order specify AH suffix, i.e. VF2S-316 AH (See page 48)

CROSS REFERENCE TO COMPETITORS PRODUCTS

REPLACES DODGE F2B-SCM	REPLACES MB FC2-35	REPLACES SKF FYTM-TM	REPLACES NTN UCFLX
FAFNIR YCJ-TM			

Refer to Interchange Section Page 162 for more detail.



300

Browning

Ball Bearings

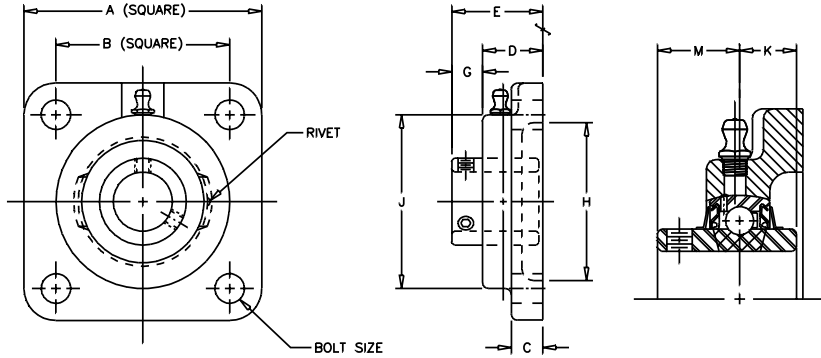
VF4S-300

Lock: Set Screw
Seal: Contact
Housing: Cast Iron
Temperature: -20°F to 200°F
Self Alignment: ±1.5°
Inserts: VS-300
 Dimensions pg 24
 Ratings pg 25

V VALUE & QUALITY
F FLANGE
4 FOUR BOLT
S SET SCREW

3 300
0 MEDIUM
0 DUTY

Bore Size	Fitting
1"	1/4" - 28NF
1 3/16" - 2"	1/8" NPT



SHAFT DIA. IN	UNIT NO.	BRG. NO.	Dimensions in Inches											BOLT SIZE IN.	UNIT WT.
			A	B	C	D	E	G	H CORED	J	K	M			
1	VF4S-316	VS-316	4 1/4	3 1/4	17/32	1 5/64	1 9/16	31/64	2 7/8	3 1/8	5/8	7/8	7/16	2.9	
1 3/16	VF4S-319	VS-319	4 5/8	3 5/8	19/32	1 5/32	1 3/4	19/32	3 1/4	3 5/8	11/16	1	1/2	2.9	
1 7/16	VF4S-323	VS-323	5 1/8	4	5/8	1 19/64	2 1/64	23/32	3 1/2	4 1/8	3/4	1 3/16	1/2	5.0	
1 1/2	VF4S-324	VS-324	5 3/8	4 1/8	5/8	1 21/64	2 3/64	23/32	3 7/8	4 3/8	3/4	1 3/16	9/16	5.0	
1 11/16	VF4S-327	VS-327	5 5/8	4 3/8	5/8	1 23/64	2 5/32	51/64	4		3/4	1 9/32	9/16	5.8	
1 3/4	VF4S-328	VS-328	5 5/8	4 3/8	5/8	1 23/64	2 5/32	51/64	4		3/4	1 9/32	9/16	5.8	
1 15/16	VF4S-331	VS-331	6 3/8	5 1/8	13/16	1 33/64	2 5/16	51/64	4 1/4	5 1/4	7/8	1 5/16	5/8	8.0	
2	VF4S-332	VS-232	6 3/8	5 1/8	13/16	1 33/64	2 5/16	51/64	4 1/4	5 1/4	7/8	1 5/16	5/8	8.0	
2 3/16	VF4S-335	VS-335	6 7/8	5 5/8	13/16	1 11/16	2 11/16	1	5	5 7/16	1	1 9/16	5/8	9.9	
2 1/4	VF4S-336	VS-236	6 7/8	5 5/8	13/16	1 11/16	2 11/16	1	5	5 7/16	1	1 9/16	5/8	9.9	
2 7/16	VF4S-339	VS-339	7 3/8	5 7/8	13/16	1 49/64	2 7/8	1 7/64	5 1/8	6 1/8	1 1/16	1 11/16	5/8	13.3	
2 1/2	VF4S-340	VS-340	7 3/8	5 7/8	13/16	1 49/64	2 7/8	1 7/64	5 1/8	6 1/8	1 1/16	1 11/16	5/8	13.3	
2 11/16	VF4S-343	VS-343	7 3/4	6	1	2 3/64	3 3/16	1 9/64	5 3/4	6 1/2	1 5/16	1 3/4	3/4	16.7	
2 15/16	VF4S-347	VS-347	7 3/4	6	1	2 1/8	3 3/8	1 1/4	5 23/32	6 3/4	1 5/16	1 15/16	3/4	17.4	
3	VF4S-348	VS-348	7 3/4	6	1	2 1/8	3 3/8	1 1/4	5 23/32	6 3/4	1 5/16	1 15/16	3/4	17.4	
3 7/16	VF4S-355	VS-355	8 7/16	6 3/4	1 1/8	2 31/64	3 15/16	1 29/64	6 15/32	7 3/4	1 9/16	2 7/32	7/8	24.4	
3 1/2	VF4S-356	VS-256	8 7/16	6 3/4	1 1/8	2 31/64	3 15/16	1 29/64	6 15/32	7 3/4	1 9/16	2 7/32	7/8	24.4	
3 15/16	VF4S-363	VS-363	10 9/16	8 5/16	1 3/8	2 31/32	4 25/32	1 13/16	7 23/32	9 1/4	1 15/16	2 11/16	1	44.7	



Air Handling (AH) To order specify AH suffix, i.e. VF4S-316 AH (See page 48)

REV 0

CROSS REFERENCE TO COMPETITORS PRODUCTS

REPLACES DODGE F4B-SCM	REPLACES MB FC4-35	REPLACES SKF FYM-TM	REPLACES NTN UCFX
FAFNIR YCJM		REPLACES HUB CITY FB350**	REPLACES BOSTON MBF

Refer to Interchange Section Page 162 for more detail.
 **-Narrow length through bore

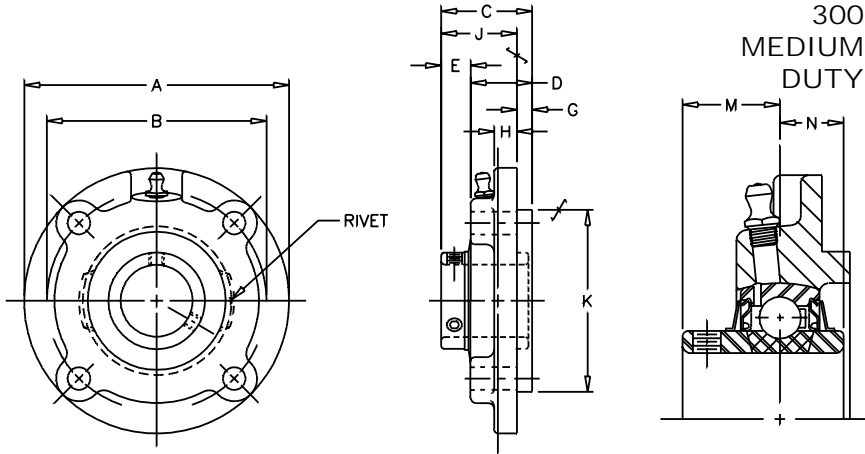


Ball Bearings

VALUE & QUALITY V
 FLANGE F
 CARTRIDGE C
 SET SCREW S

VFCS-300

Lock: Set Screw
Seal: Contact
Housing: Cast Iron
Temperature: -20°F to 200°F
Self Alignment: ±1.5°
Inserts: VS-300
 Dimensions pg 24
 Ratings pg 25



300 3
 MEDIUM 0
 DUTY 0

Bore Size	Fitting
1" - 2"	1/4" - 28NF
2 3/16" - 3 15/16"	1/8" NPT

SHAFT DIA. IN	UNIT NO.	BRG. NO.	Dimensions in Inches											BOLT SIZE IN.	UNIT WT.
			A	B	C	D	E	G	H	J	*K	M	N		
1	VFCS-316	VS-316	4 3/8	3 5/8	1 1/2	1 1/64	31/64	1/4	3/8	1 1/4	3	7/8	5/8		2.5
1 3/16	VFCS-319	VS-319	5	4 1/8	1 11/16	1 3/32	19/32	3/8	3/8	1 5/16	3 3/8	1	11/16	3/8	3.2
1 1/4	VFCS-320	VS-220													
1 7/16	VFCS-323	VS-323	5 1/4	4 3/8	1 15/16	1 7/32	23/32	7/16	3/8	1 1/2	3 5/8	1 3/16	3/4	3/8	3.7
1 1/2	VFCS-324	VS-324	6 1/8	5 1/8	1 15/16	1 7/32	23/32	7/16	3/8	1 1/2	4 1/4	1 3/16	3/4	7/16	5.0
1 11/16	VFCS-327	VS-327	6 1/8	5 1/8	2 1/16	1 17/64	51/64	15/32	3/8	1 19/32	4 1/4	1 9/32	3/4	7/16	5.8
1 3/4	VFCS-328	VS-328													
1 15/16	VFCS-331	VS-331	6 3/8	5 3/8	2 13/64	1 13/32	51/64	5/8	3/8	1 37/64	4 1/2	1 5/16	7/8	7/16	6.0
2	VFCS-332	VS-232													
2 3/16	VFCS-335	VS-335	7 1/8	6	2 7/8	1 7/8	1	7/8	1/2	2	5	1 9/16	1	1/2	6.1
2 1/4	VFCS-336	VS-236	7 5/8	6 1/2	3 7/64	2	1 7/64	1	1/2	2 7/64	5 1/2	1 11/16	1 1/16	1/2	10.2
2 7/16	VFCS-339	VS-339													
2 1/2	VFCS-340	VS-340	8 3/4	7 1/2	3 3/16	2 3/64	1 9/64	1	1/2	2 3/16	6 3/8	1 3/4	1 5/16	5/8	14.0
2 11/16	VFCS-343	VS-343													
2 15/16	VFCS-347	VS-347	8 3/4	7 1/2	3 3/8	2 1/8	1 1/4	1 1/8	1/2	2 1/4	6 3/8	1 15/16	1 5/16	5/8	14.0
3	VFCS-348	VS-348													
3 7/16	VFCS-355	VS-355	10 1/4	8 5/8	3 29/32	2 29/64	1 29/64	1 1/8	5/8	2 25/32	7 3/8	2 7/32	1 9/16	3/4	21.0
3 1/2	VFCS-356	VS-256	10 7/8	9 3/8	4 11/16	2 7/8	1 13/16	1 5/16	3/4	3 3/8	8 1/8	2 11/16	1 15/16	3/4	28.0
3 15/16	VFCS-363	VS-363													

* Tolerance +.000", -.002"

REV 1

CROSS REFERENCE TO COMPETITORS PRODUCTS

REPLACES DODGE FC-SCM	REPLACES MB PFC4-35		
		REPLACES HUB CITY FC350**	REPLACES BOSTON MBP

Refer to Interchange Section Page 162 for more detail.

**-Narrow length through bore



300

Browning[®]

Ball Bearings

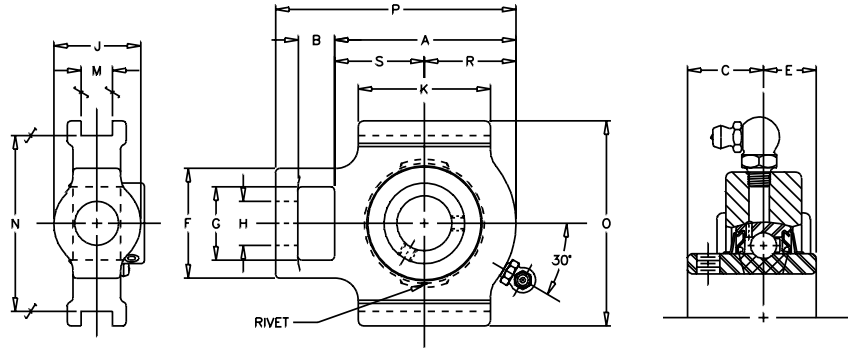
VTWS-300

Lock: Set Screw
Seal: Contact
Housing: Cast Iron
Temperature: -20°F to 200°F
Self Alignment: +/-1.5
Inserts: VS-300
 Dimensions pg 24
 Ratings pg 25

V VALUE & QUALITY
 T TAKE-UP
 W WIDE SLOT
 S SET SCREW

3 300
 0 MEDIUM
 0 DUTY

Bore Size	Fitting
1"	1/4" - 28NF
1 3/16" - 3"	1/8" NPT



SHAFT DIA. IN	UNIT NO.	BRG. NO.	Dimensions In Inches															UNIT WT.
			A	B	C	E	F	G	H CORE	J HUB	K	M	N	O	P	R	S	
1	VTWS-316	VS-316	3 3/8	3/4	7/8	5/8	2 1/8	1 7/16	7/8	1 3/4	2 1/2	17/32	3 1/2	4	4 5/8	1 25/32	1 19/32	3.1
1 3/16	VTWS-319	VS-319	3 3/4	3/4	1	11/16	2 1/8	1 7/16	7/8	1 3/4	2 3/4	17/32	3 1/2	4	5	2	1 3/4	4.0
1 7/16	VTWS-323	VS-323	4 7/32	3/4	1 3/16	3/4	2 3/4	1 15/16	1 1/8	2 1/8	3 1/4	11/16	4	4 1/2	5 19/32	2 3/16	2 1/32	5.7
1 1/2	VTWS-324	VS-324	4 3/8	3/4	1 3/16	3/4	2 3/4	1 15/16	1 1/8	2 1/8	3 1/4	11/16	4	4 1/2	5 3/4	2 1/4	2 1/8	5.7
1 11/16	VTWS-327	VS-327	4 17/32	3/4	1 9/32	3/4	2 3/4	1 15/16	1 1/8	2 1/8	3 3/8	11/16	4	4 1/2	5 29/32	2 5/16	2 7/32	6.2
1 3/4	VTWS-328	VS-328	4 17/32	3/4	1 9/32	3/4	2 3/4	1 15/16	1 1/8	2 1/8	3 3/8	11/16	4	4 1/2	5 29/32	2 5/16	2 7/32	6.2
1 15/16	VTWS-331	VS-331	5 3/32	1	1 5/16	7/8	3 5/8	2 1/2	1 3/8	2 1/2	3 3/4	1 1/16	5 1/8	5 3/4	6 27/32	2 9/16	2 17/32	9.5
2	VTWS-332	VS-232	5 3/32	1	1 5/16	7/8	3 5/8	2 1/2	1 3/8	2 1/2	3 3/4	1 1/16	5 1/8	5 3/4	6 27/32	2 9/16	2 17/32	9.5
2 3/16	VTWS-335	VS-335	5 1/2	1	1 9/16	1	3 5/8	2 1/2	1 3/8	2 1/2	4	1 1/16	5 1/8	5 3/4	7 1/4	2 27/32	2 21/32	11.0
2 1/4	VTWS-336	VS-236	5 1/2	1	1 9/16	1	3 5/8	2 1/2	1 3/8	2 1/2	4	1 1/16	5 1/8	5 3/4	7 1/4	2 27/32	2 21/32	11.0
2 7/16	VTWS-339	VS-339	6 9/16	1 1/4	1 11/16	1 1/16	4 3/8	2 3/4	1 5/8	2 7/8	4 3/4	1 1/16	5 15/16	6 9/16	8 5/8	3 1/4	3 5/16	17.0
2 1/2	VTWS-340	VS-340	6 9/16	1 1/4	1 11/16	1 1/16	4 3/8	2 3/4	1 5/8	2 7/8	4 3/4	1 1/16	5 15/16	6 9/16	8 5/8	3 1/4	3 5/16	17.0
2 11/16	VTWS-343	VS-343	6 7/8	1 1/4	1 3/4	1 5/16	4 3/8	2 3/4	1 5/8	2 7/8	4 3/4	1 1/16	5 15/16	6 9/16	8 15/16	3 7/16	3 7/16	18.0
2 15/16	VTWS-347	VS-347	6 15/16	1 1/4	1 15/16	1 5/16	4 3/8	2 3/4	1 5/8	2 7/8	4 3/4	1 1/16	6 1/2	7 1/4	9	3 1/2	3 7/16	20.0
3	VTWS-348	VS-348	6 15/16	1 1/4	1 15/16	1 5/16	4 3/8	2 3/4	1 5/8	2 7/8	4 3/4	1 1/16	6 1/2	7 1/4	9	3 1/2	3 7/16	20.0

REV 1

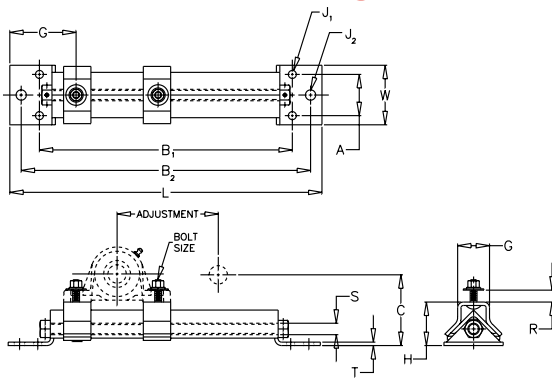
CROSS REFERENCE TO COMPETITORS PRODUCTS

REPLACES DODGE WSTU-SCM	REPLACES MB TC-35	REPLACES SKF TBYM-TM	

Refer to Interchange Section Page 162 for more detail.

Ball Bearings

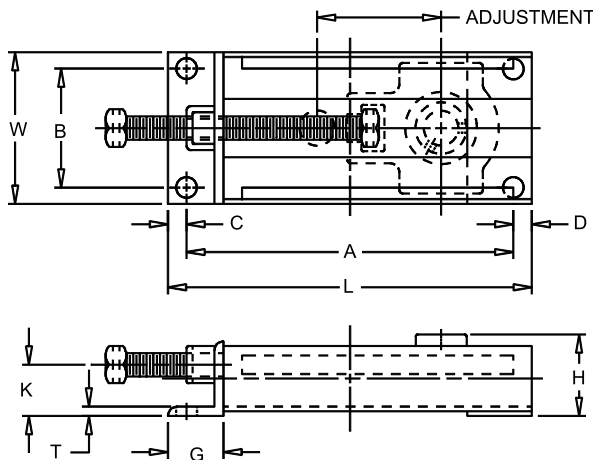
TU-FRAMES



TOP FLANGE
Bearings
Sold
Separately

TF
PROTECTED
SCREW
TAKEUP
FRAME

FRAME PART NO.	BORE RANGE	Nominal Adjust-ment	Dimensions In Inches													BOLT SIZE	UNIT WT.
			L	W	A	B1	B2	G	H	J1	J2	Q	R	S	T		
6TF16	3/4-1	6	17 1/8	3 1/4	2 1/4	13 7/8	15 7/8	3 5/16	2 3/8	7/16	9/16	1 3/4	9/16	5/8	3/16	3/8	6.0
9TF16	3/4-1	9	20 1/8	3 1/4	2 1/4	16 7/8	18 7/8	3 5/16	2 3/8	7/16	9/16	1 3/4	9/16	5/8	3/16	3/8	6.7
6TF31	1 1/16-1 15/16	6	18 3/16	3 1/2	2 1/2	15 7/16	16 15/16	3 3/8	2 13/16	7/16	9/16	2 5/16	7/8	3/4	3/16	1/2	8.9
9TF31	1 1/16-1 15/16	9	22 5/8	3 1/2	2 1/2	19 7/8	21 3/8	3 3/8	2 13/16	7/16	9/16	2 5/16	7/8	3/4	3/16	1/2	10.3
12TF31	1 1/16-1 15/16	12	24 3/16	3 1/2	2 1/2	21 7/16	22 15/16	3 3/8	2 13/16	7/16	9/16	2 5/16	7/8	3/4	3/16	1/2	10.9
18TF31	1 1/16-1 15/16	18	31 5/8	3 1/2	2 1/2	28 7/8	30 3/8	3 3/8	2 13/16	7/16	9/16	2 5/16	7/8	3/4	3/16	1/2	13.3
12TF39	2-2 7/16	12	28	4 1/2	3	24 3/4	26 3/4	4	3 5/16	9/16	11/16	2 5/8	15/16	1	1/4	5/8	18.3
18TF39	2-2 7/16	18	34	4 1/2	3	30 3/4	32 3/4	4	3 5/16	9/16	11/16	2 5/8	15/16	1	1/4	5/8	21.2



SIDE FLANGE
Bearings
Sold
Separately

SF
CENTER
PULL
TAKEUP
FRAME

REV 0

FRAME PART NO.	BORE RANGE	Adjustment	Dimensions In Inches										BOLT HOLES		UNIT WT.
			L	W	A	B	C	D	G	H MAX	K	T	No.	SIZE	
3SF23	1 - 1 13/16	3	9 3/8	4 11/16	8 3/8	3 11/16	1/2	1/2	1 1/2	2 21/32	1 3/8	1/4	3	9/16	5.4
6SF23	1 - 1 13/16	6	12 3/8	4 1/16	11 3/8	3 11/16	1/2	1/2	1 1/2	2 21/32	1 3/8	1/4	3	9/16	6.7
9SF23	1 - 1 13/16	9	15 3/8	4 11/16	14 3/8	3 11/16	1/2	1/2	1 1/2	2 21/32	1 3/8	1/4	3	9/16	8.1
12SF23	1 - 1 13/16	12	18 3/8	4 11/16	17 3/8	3 11/16	1/2	1/2	1 1/2	2 21/32	1 3/8	1/4	3	9/16	9.5
3SF31	1 7/16 - 1 3/4	3	11	5 1/16	9 7/8	3 1/16	1/2	5/8	1 1/2	3 1/8	1 5/8	1/4	4	9/16	7.4
6SF31	1 7/16 - 1 3/4	6	14	5 1/16	12 7/8	3 1/16	1/2	5/8	1 1/2	3 1/8	1 5/8	1/4	4	9/16	9.1
9SF31	1 7/16 - 1 3/4	9	17	5 1/16	15 7/8	3 1/16	1/2	5/8	1 1/2	3 1/8	1 5/8	1/4	4	9/16	10.8
12SF31	1 7/16 - 1 3/4	12	20	5 1/16	18 7/8	3 1/16	1/2	5/8	1 1/2	3 1/8	1 5/8	1/4	4	9/16	12.5
18SF31	1 7/16 - 1 3/4	18	26	5 1/16	24 7/8	3 1/16	1/2	5/8	1 1/2	3 1/8	1 5/8	1/4	4	9/16	15.9
9SF39	1 15/16 - 2 1/4	9	18 1/4	6 3/8	16 7/8	4 1/8	5/8	3/4	2	3 23/32	1 7/8	5/8	4	11/16	20.0
12SF39	1 15/16 - 2 1/4	12	21 1/4	6 3/8	19 7/8	4 1/8	5/8	3/4	2	3 23/32	1 7/8	5/8	4	11/16	22.8
18SF39	1 15/16 - 2 1/4	18	27 1/4	6 3/8	25 7/8	4 1/8	5/8	3/4	2	3 23/32	1 7/8	5/8	4	11/16	28.2

REV 1



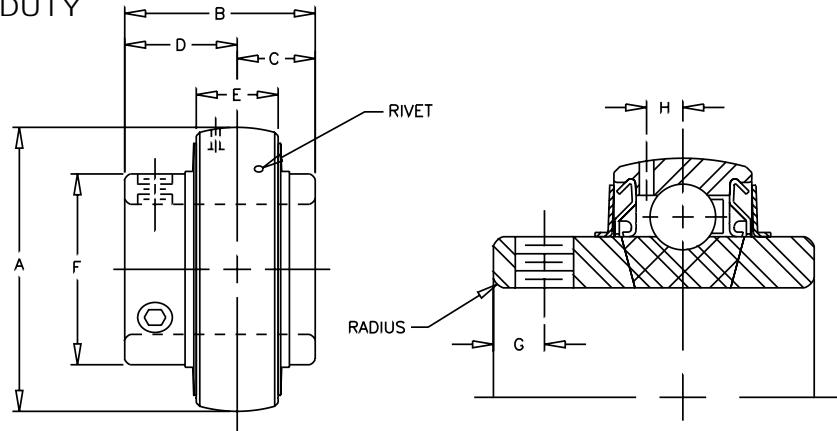
300

VS-300

Lock: Set Screw
Seal: Contact
Temperature: -20°F to 200°F
Ratings: Page 25

V VALUE & QUALITY
 S SET SCREW

3 300
 0 MEDIUM
 0 DUTY



Browning®

Ball Bearings

SHAFT DIA. IN	BRG. NO.	Dimensions In Inches									SET SCREW TAP	UNIT WT.
		A	B	C	D	E	F	G	H	RADIUS		
1	VS-316	62MM 2.4409	1 1/2	5/8	7/8	.709	1 19/32	7/32	13/64	.040	1/4-28	.9
1 3/16	VS-319	72MM 2.8346	1 11/16	11/16	1	.748	1 55/64	1/4	15/64	.040	5/16-24	1.2
1 7/16	VS-323	80MM 3.1496	1 15/16	3/4	1 3/16	.866	2 1/16	5/16	17/64	.062	5/16-24	1.6
1 1/2	VS-324	85MM 3.3465	1 15/16	3/4	1 3/16	.866	2 19/64	5/16	17/64	.062	5/16-24	1.6
1 11/16	VS-327	90MM	2 1/32	3/4	1 9/32	.906	2 15/32	3/8	9/32	.062	3/8-24	1.8
1 3/4	VS-328	3.5433										
1 15/16	VS-331	100MM 3.9370	2 3/16	7/8	1 5/16	.984	2 23/32	3/8	5/16	.080	3/8-24	2.3
2 3/16	VS-335	110MM 4.3307	2 9/16	1	1 9/16	1.063	2 63/64	7/16	21/64	.080	3/8-24	3.1
2 7/16	VS-339	125MM	2 3/4	1 1/16	1 11/16	1.102	3 7/16	7/16	3/8	.080	7/16-20	4.7
2 1/2	VS-340	4.9213										
2 11/16	VS-343	130MM 5.1181	3 1/16	1 5/16	1 3/4	1.142	3 41/64	7/16	3/8	.080	7/16-20	4.9
2 15/16	VS-347	140MM	3 1/4	1 5/16	1 15/16	1.299	3 59/64	17/32	27/64	.120	7/16-20	5.9
3	VS-348	5.5118										
3 7/16	VS-355	160MM 6.2992	3 25/32	1 9/16	2 7/32	1.457	4 25/64	5/8	1/2	.120	1/2-20	7.8
3 15/16	VS-363	190MM 7.4803	4 5/8	1 15/16	2 11/16	1.693	5 11/64	3/4	19/32	.120	5/8-18	9.7

REV 0

CROSS REFERENCE TO COMPETITORS PRODUCTS

For insert interchange information, contact EPT Mounted Bearing Technical Support.
 See page 256 for contact information.

Browning®

Ball Bearings

300 SERIES RATINGS

This chart displays 300 series ball bearings' load capacity for a given L10 life, speed, and shaft size. Values in the table represent loads at ideal conditions with press fit mounting to the shaft. ABMA recommends de-rating of slip fit mounted bearings. To obtain de-rated load, divide load in table by 1.3. Values in the table represent equivalent radial loads only. For combined load determination, see **THE BEARING SELECTION SECTION**, page 262. Areas designated by “—” exceed maximum speed value.

Match Bore Size

SHAFT SIZES 300 Dia. Inches	L10 HOURS	REVOLUTIONS PER MINUTE																	
		50	150	250	500	750	1000	1500	1750	2000	2500	3000	3500	4000	4500	5000	5500	6500	7500
1 3/16	5000	1290	1290	1290	1088	951	864	755	717	686	636	599	569	544					
	10000	1290	1290	1088	864	755	686	599	569	544	505	475	452	432					
	30000	1290	895	755	599	523	475	415	394	377	350	330	313	299					
	50000	1088	755	636	505	441	401	350	333	318	295	278	264	253					
	100000	864	599	505	401	350	318	278	264	253	234	221	210	200					
1 7/16	5000	1638	1638	1638	1381	1207	1096	958	870	760	722	691	641	603	573				
	10000	1638	1638	1381	1096	958	870	760	722	691	641	603	573						
	30000	1638	1136	958	760	664	603	527	501	479	445	418	397						
	50000	1381	958	808	641	560	509	445	422	404	375	353	335						
	100000	1096	760	641	509	445	404	353	335	321	298	280	266						
1 1/2	5000	1763	1763	1763	1487	1299	1180	1031	979	937	870	818							
	10000	1763	1763	1487	1180	1031	937	818	777	744	690	650							
	30000	1763	1222	1031	818	715	650	567	539	516	479	450							
	50000	1487	1031	870	690	603	548	479	455	435	404	380							
	100000	1180	818	690	548	479	435	380	361	345	320	301							
1 11/16	5000	1760	1760	1760	1485	1297	1178	1029	978	935	868	817							
	10000	1760	1760	1485	1178	1029	935	817	7769	742	689	649							
	30000	1760	1221	1029	817	714	649	567	538	515	478	450							
	50000	1485	1029	868	689	602	547	478	454	434	403	379							
	100000	1178	817	689	547	478	434	379	360	345	320	301							
1 15/16	5000	2176	2176	2176	1835	1603	1457	1273	1209	1156	1073								
	10000	2176	2176	1835	1457	1273	1156	1010	959	918	852								
	30000	2176	1509	1273	1010	882	802	700	665	636	591								
	50000	1835	1273	1073	852	744	676	591	561	537	498								
	100000	1457	1010	852	676	591	537	469	445	426	395								
2 3/16	5000	2631	2631	2631	2219	1938	1761	1538	1461	1398	1298								
	10000	2631	2631	2219	1761	1538	1398	1221	1160	1109	1030								
	30000	2631	1824	1538	1221	1067	969	847	804	769	714								
	50000	2219	1538	1298	1030	900	817	714	678	649	602								
	100000	1761	1221	1030	817	714	649	567	538	515	478								
2 7/16	5000	3118	3118	3118	2629	2297	2087	1823	1732	1656									
	10000	3118	3118	2629	2087	1823	1656	1447	1375	1315									
	30000	3118	2162	1823	1447	1264	1149	1003	953	912									
	50000	2629	1823	1538	1220	1066	969	846	804	769									
	100000	2087	1447	1220	969	846	769	672	638	610									
2 11/16	5000	3311	3311	3311	2793	2440	2217	1936	1839	1759									
	10000	3311	3311	2793	2217	1936	1759	1537	1460	1396									
	30000	3311	2296	1936	1537	1343	1220	1066	1012	968									
	50000	2793	1936	1633	1296	1332	1029	899	854	817									
	100000	2217	1537	1296	1029	899	817	713	678	648									
2 15/16	5000	3885	3885	3885	3277	2863	2601	2272	2158	2064									
	10000	3885	3885	3277	2601	2272	2064	1803	1713	1639									
	30000	3885	2694	2272	1803	1575	1431	1250	1188	1136									
	50000	3277	2272	1916	1521	1329	1207	1055	1002	958									
	100000	2601	1803	1521	1207	1055	958	837	795	761									
3 7/16	5000	4812	4812	4812	4059	3546	3222	2814	2673										
	10000	4812	4812	4059	3222	2814	2557	2234	2122										
	30000	4812	3337	2814	2234	1951	1773	1549	1471										
	50000	4059	2814	2374	1884	1646	1495	1306	1241										
	100000	3222	2234	1884	1495	1306	1187	1037	985										
3 15/16	5000	6673	6673	6673	5628	4917	4467	3902											
	10000	6673	6673	5628	4467	3902	3546	3097											
	30000	6673	4627	3902	3097	2706	2458	2148											
	50000	5628	3902	3291	2612	2282	2074	1811											
	100000	4467	3097	2612	2074	1811	1646	1438											



100

Browning

Ball Bearings

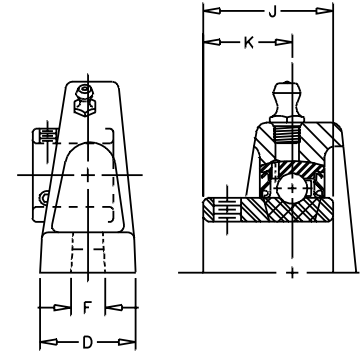
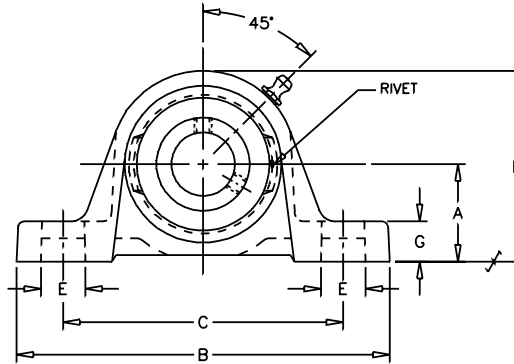
VPS-100

Lock: Set Screw
Seal: Contact
Housing: Cast Iron
Temperature: -20°F to 200°F
Self Alignment: ±1.5°
Inserts: VS-100
 Dimensions pg 45
 Ratings pg 46

V VALUE & QUALITY
 P PILLOW BLOCK
 S SET SCREW

1 100
 0 INTERMEDIATE
 0 DUTY

Bore Size	Fitting
1/2" - 1 1/4" S	1/4" - 28NF
1 1/4" - 2 3/16"	1/8" NPT



SHAFT DIA. IN.	UNIT NO.	BRG. NO.	Dimensions in Inches										BOLT SIZE IN.	UNIT WT.
			A	B	C	D	E	F	G	H	J	K		
1/2	VPS-108	VS-108	1 3/16	4 7/8	3 5/8	1 7/32	7/8	7/16	15/32	2 7/32	15/16	5/8	3/8	.8
5/8	VPS-110	VS-110	1 3/16	4 7/8	3 5/8	1 7/32	7/8	7/16	15/32	2 7/32	15/16	5/8	3/8	.8
3/4	VPS-112	VS-1112	1 5/16	5	3 25/32	1 11/32	25/32	7/16	17/32	2 17/32	1 1/16	23/32	3/8	1.4
7/8	VPS-114	VS-114	1 7/16	5 1/2	4 1/8	1 13/32	13/16	7/16	19/32	2 13/16	1 7/64	49/64	3/8	1.6
15/16	VPS-115	VS-115	1 7/16	5 1/2	4 1/8	1 13/32	13/16	7/16	19/32	2 13/16	1 7/64	49/64	3/8	1.6
1	VPS-116	VS-116	1 7/16	5 1/2	4 1/8	1 13/32	13/16	7/16	19/32	2 13/16	1 7/64	49/64	3/8	1.6
1 1/8	VPS-118	VS-118	1 11/16	6 3/16	4 5/8	1 3/4	15/16	9/16	21/32	3 9/32	1 5/32	25/32	1/2	2.6
1 3/16	VPS-119	VS-119	1 11/16	6 3/16	4 5/8	1 3/4	15/16	9/16	21/32	3 9/32	1 5/32	25/32	1/2	2.6
1 1/4	VPS-120S	VS-120S	1 11/16	6 3/16	4 5/8	1 3/4	15/16	9/16	21/32	3 9/32	1 5/32	25/32	1/2	2.6
1 1/4	VPS-120	VS-120	1 7/8	6 3/4	5	1 3/4	7/8	9/16	23/32	3 11/16	1 9/32	55/64	1/2	3.5
1 3/8	VPS-122	VS-122	1 7/8	6 3/4	5	1 3/4	7/8	9/16	23/32	3 11/16	1 9/32	55/64	1/2	3.5
1 7/16	VPS-123	VS-123	1 7/8	6 3/4	5	1 3/4	7/8	9/16	23/32	3 11/16	1 9/32	55/64	1/2	3.5
1 1/2	VPS-124	VS-124	2	7 1/8	5 3/8	1 15/16	1	9/16	13/16	4	1 27/64	15/16	1/2	4.4
1 11/16	VPS-127	VS-127	2 1/8	7 3/8	5 21/32	2	29/32	9/16	3/4	4 1/4	1 7/16	61/64	1/2	5.3
1 3/4	VPS-128	VS-128	2 1/8	7 3/8	5 21/32	2	29/32	9/16	3/4	4 1/4	1 7/16	61/64	1/2	5.3
1 15/16	VPS-131	VS-131	2 1/4	8	6 3/16	2 3/16	15/16	11/16	3/4	4 9/16	1 35/64	1 3/64	5/8	5.8
2	VPS-132S	VS-132S	2 1/4	8	6 3/16	2 3/16	15/16	11/16	3/4	4 9/16	1 35/64	1 3/64	5/8	5.8
2	VPS-132	VS-132	2 1/2	8 13/16	6 15/16	2 5/16	1	11/16	7/8	4 31/32	1 21/32	1 7/64	5/8	7.7
2 3/16	VPS-135	VS-135	2 1/2	8 13/16	6 15/16	2 5/16	1	11/16	7/8	4 31/32	1 21/32	1 7/64	5/8	7.7

REV 0

CROSS REFERENCE TO COMPETITORS PRODUCTS

REPLACES DODGE P2B-VSC	REPLACES MB C-25		
REPLACES FAFNIR SAS	REPLACES LINK-BELT P3S 200E	REPLACES HUB CITY PB 251	

Refer to Interchange Section Page 162 for more detail.

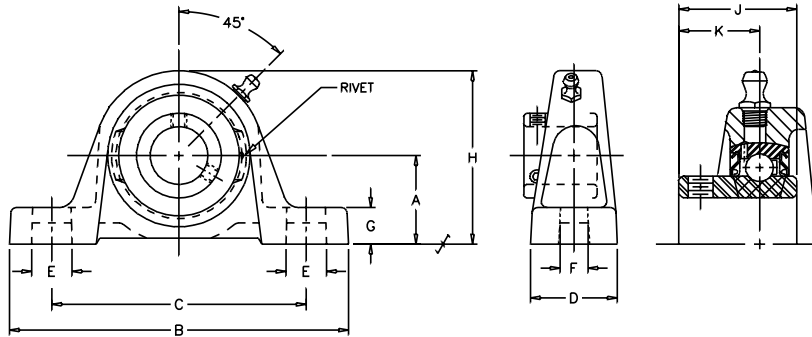
Ball Bearings

VALUE & QUALITY V
 PILLOW BLOCK P
 LOW BASE L
 SET SCREW S

100 1
 INTERMEDIATE 0
 DUTY 0

VPLS-100

Lock: Set Screw
Seal: Contact
Housing: Cast Iron
Temperature: -20°F to 200°F
Self Alignment: ±1.5°
Inserts: VS-100
 Dimension pg 45
 Ratings pg 46



Bore Size	Fitting
1/2" - 1 1/4" S	1/4" - 28NF
1 1/4" - 2 3/16"	1/8" NPT

SHAFT DIA. IN	UNIT NO.	BRG. NO.	Dimensions In Inches										BOLT SIZE IN.	UNIT WT.	
			A	B	C	D	E	F	G	H	J	K			
1/2	VPLS-108	VS-108													
5/8	VPLS-110	VS-110	1 1/16	4 7/8	3 5/8	1 7/32	7/8	7/16	11/32	2 3/32	15/16	5/8	3/8	.7	
3/4	VPLS-112	VS-112	1 1/4	5	3 25/32	1 11/32	25/32	7/16	15/32	2 15/32	1 1/16	23/32	3/8	1.3	
7/8	VPLS-114	VS-114													
15/16	VPLS-115	VS-115	1 5/16	5 1/2	4 1/8	1 13/32	13/16	7/16	15/32	2 11/16	1 7/64	49/64	3/8	1.4	
1	VPLS-116	VS-116													
1 1/8	VPLS-118	VS-118													
1 3/16	VPLS-119	VS-119	1 9/16	6 3/16	4 5/8	1 3/4	15/16	9/16	17/32	3 5/32	1 5/32	25/32	1/2	2.4	
1 1/4	VPLS-120S	VS-120S													
1 1/4	VPLS-120	VS-120													
1 3/8	VPLS-122	VS-122	1 13/16	6 3/4	5	1 3/4	7/8	9/16	21/32	3 5/8	1 9/32	55/64	1/2	3.5	
1 7/16	VPLS-123	VS-123													
1 1/2	VPLS-124	VS-124	1 15/16	7 1/8	5 3/8	1 15/16	1	9/16	3/4	3 15/16	1 27/64	15/16	1/2	4.5	
1 11/16	VPLS-127	VS-127													
1 3/4	VPLS-128	VS-128	2 1/16	7 3/8	5 21/32	2	29/32	9/16	11/16	4 3/16	1 7/16	61/64	1/2	5.5	
1 15/16	VPLS-131	VS-131													
2	VPLS-132S	VS-132S	2 3/16	8	6 3/16	2 3/16	15/16	11/16	11/16	4 1/2	1 35/64	1 3/64	5/8	5.9	
2	VPLS-132	VS-132													
2 3/16	VPLS-135	VS-135	2 7/16	8 13/16	6 15/16	2 5/16	1	11/16	13/16	4 29/32	1 21/32	1 7/64	5/8	7.6	

REV 0

CROSS REFERENCE TO COMPETITORS PRODUCTS

REPLACES DODGE P2B-VSCB	REPLACES MB CL-25		REPLACES NTN ASPL 2
REPLACES FAFNIR SAK	REPLACES LINK-BELT PL3S 200E	REPLACES HUB CITY PB 250	

Refer to Interchange Section Page 162 for more detail.



100

Browning

Ball Bearings

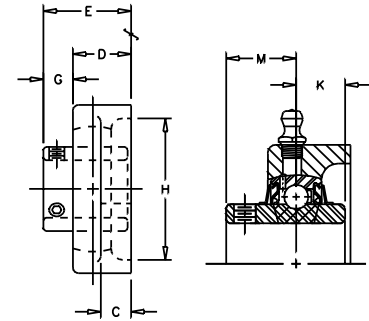
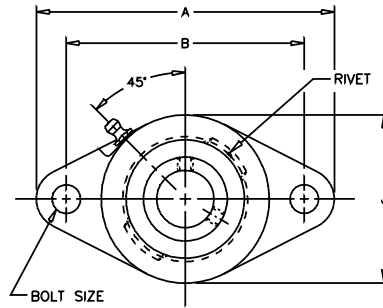
VF2S-100

V VALUE & QUALITY
 F FLANGE
 2 TWO BOLT
 S SET SCREW

Lock: Set Screw
 Seal: Contact
 Housing: Cast Iron
 Temperature: -20°F to 200°F
 Self Alignment: ±1.5°
 Inserts: VS-100
 Dimensions pg 45
 Ratings pg 46

1 100
 0 INTERMEDIATE
 0 DUTY

Bore Size	Fitting
1/2" - 1 1/4" S	1/4" - 28NF
1 1/4" - 2 3/16"	1/8" NPT



SHAFT DIA. IN	UNIT NO.	BRG. NO.	Dimensions In Inches										BOLT SIZE IN.	UNIT WT.
			A	B	BOLT C	D	E	G	H CORED	J	K	M		
1/2	VF2S-108	VS-108	3 7/8	3	3/8	23/32	1 5/64	23/64	1 3/4	2 1/8	5/16	5/8	3/8	.8
5/8	VF2S-110	VS-110												
3/4	VF2S-112	VS-112	4 13/32	3 17/32	7/16	57/64	1 9/32	25/64	2	2 1/2	11/32	23/32	3/8	.9
7/8	VF2S-114	VS-114												
15/16	VF2S-115	VS-115	4 7/8	3 57/64	1/2	61/64	1 25/64	7/16	2 5/16	2 3/4	11/32	49/64	7/16	1.0
1	VF2S-116	VS-116												
1 1/8	VF2S-118	VS-118												
1 3/16	VF2S-119	VS-119	5 9/16	4 19/32	17/32	1 5/64	1 15/32	25/64	2 3/4	3 1/8	3/8	25/32	7/16	1.6
1 1/4	VF2S-120S	VS-120S												
1 1/4	VF2S-120	VS-120												
1 3/8	VF2S-122	VS-122	6 1/8	5 1/8	19/32	1 5/32	1 39/64	29/64	3 3/16	3 5/8	27/64	55/64	1/2	2.6
1 7/16	VF2S-123	VS-123												
1 1/2	VF2S-124	VS-124	6 3/4	5 21/32	5/8	1 19/64	1 49/64	15/32	3 1/2	4 1/8	31/64	15/16	1/2	3.4
1 11/16	VF2S-127	VS-127												
1 3/4	VF2S-128	VS-128	7 1/16	5 27/32	5/8	1 21/64	1 13/16	31/64	3 3/4	4 3/8	31/64	61/64	9/16	3.5
1 15/16	VF2S-131	VS-131												
2	VF2S-132S	VS-132S	7 7/16	6 3/16	5/8	1 23/64	1 59/64	9/16	4	4 9/16	1/2	1 3/64	9/16	4.4
2	VF2S-132	VS-132												
2 3/16	VF2S-135	VS-135	8 1/2	7 1/4	13/16	1 33/64	2 7/64	19/32	4 1/4	5 1/4	35/64	1 7/64	5/8	5.7

REV 0

CROSS REFERENCE TO COMPETITORS PRODUCTS

REPLACES DODGE F2B-VSC	REPLACES MB FC2-25		
REPLACES FAFNIR SCJT	REPLACES LINK-BELT FX3-S200E	REPLACES HUB CITY FB 260	REPLACES BOSTON ST**

Refer to Interchange Section Page 162 for more detail.

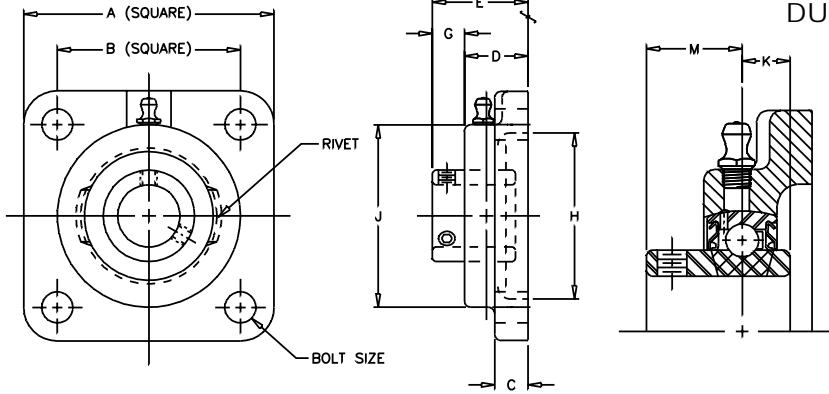
** - Narrow length through bore

Ball Bearings

VALUE & QUALITY V
FLANGE F
FOUR BOLT 4
SET SCREW S

VF4S-100

Lock: Set Screw
Seal: Contact
Housing: Cast Iron
Temperature: -20°F to 200°F
Self Alignment: ±1.5°
Inserts: VS-100
Dimensions pg 45
Ratings pg 46



Bore Size	Fitting
1/2" - 1 1/4" S	1/4" - 28NF
1 1/4" - 2 3/16"	1/8" NPT

SHAFT DIA. IN	UNIT NO.	BRG. NO.	Dimensions In Inches										BOLT SIZE IN.	UNIT WT.
			A	B	C	D	E	G	H CORED	J	K	M		
1/2	VF4S-108	VS-108	3	2 1/8	3/8	23/32	1 5/64	23/64	1 3/4	2 1/8	5/16	5/8	3/8	1.0
5/8	VF4S-110	VS-110												
3/4	VF4S-112	VS-112	3 3/8	2 1/2	7/16	57/64	1 9/32	25/64	2	2 1/2	11/32	23/32	3/8	1.3
7/8	VF4S-114	VS-114	3 3/4	2 3/4	1/2	61/64	1 25/64	7/16	2 1/2	2 3/4	11/32	49/64	7/16	1.7
15/16	VF4S-115	VS-115												
1	VF4S-116	VS-116												
1 1/8	VF4S-118	VS-118	4 1/4	3 1/4	17/32	1 5/64	1 15/32	25/64	2 7/8	3 1/8	3/8	25/32	7/16	2.4
1 3/16	VF4S-119	VS-119												
1 1/4	VF4S-120S	VS-120S												
1 1/4	VF4S-120	VS-120	4 5/8	3 5/8	19/32	1 5/32	1 39/64	29/64	3 1/4	3 5/8	27/64	55/64	1/2	3.4
1 3/8	VF4S-122	VS-122												
1 7/16	VF4S-123	VS-123												
1 1/2	VF4S-124	VS-124	5 1/8	4	5/8	1 19/64	1 49/64	15/32	3 1/2	4 1/8	31/64	15/16	1/2	4.4
1 11/16	VF4S-127	VS-127	5 3/8	4 1/8	5/8	1 21/64	1 13/16	31/64	3 7/8	4 3/8	31/64	61/64	9/16	4.7
1 3/4	VF4S-128	VS-128												
1 15/16	VF4S-131	VS-131	5 5/8	4 3/8	5/8	1 23/64	1 59/64	9/16	4	4 9/16	1/2	1 3/64	9/16	5.4
2	VF4S-132S	VS-132S												
2	VF4S-132	VS-132	6 3/8	5 1/8	13/16	1 33/64	2 7/64	19/32	4 1/4	5 1/4	35/64	1 7/64	5/8	7.7
2 3/16	VF4S-135	VS-135												

REV 0

CROSS REFERENCE TO COMPETITORS PRODUCTS

REPLACES DODGE F4B-VSC	REPLACES MB FC4-25	REPLACES HUB CITY FB250	REPLACES BOSTON SF**
REPLACES FAFNIR SCJ	REPLACES LINK-BELT F3-S200E		

Refer to Interchange Section Page 162 for more detail.
**-Narrow length through bore

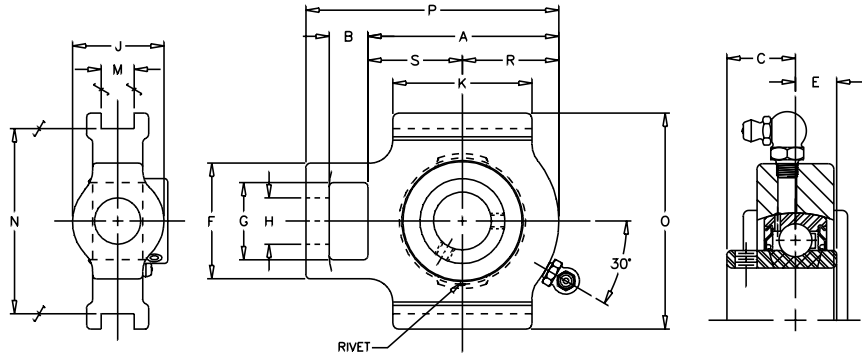
VTWS-100

Ball Bearings

Lock: Set Screw
Seal: Contact
Housing: Cast Iron
Temperature: -20°F to 200°F
Self Alignment: ±1.5°
Inserts: VS-100
 Dimensions pg 45
 Ratings pg 46

V VALUE & QUALITY
 T TAKE-UP
 B WIDE SLOT
 S SET SCREW
 1 100
 0 INTERMEDIATE
 0 DUTY

Bore Size	Fitting
1/2" - 1 1/4" S	1/4" - 28NF
1 1/4" - 2 3/16"	1/8" NPT



SHAFT DIA. IN	UNIT NO.	BRG. NO.	Dimensions In Inches															UNIT WT.
			A	B	C	E	F	G	H CORE	J HUB	K	M	N	O	P	R	S	
3/4	VTWS-112	VS-112	3	5/8	23/32	11/32	1 7/8	1 1/4	3/4	1 3/8	2 1/4	17/32	3	3 1/2	4	1 7/16	1 9/16	1.6
7/8	VTWS-114	VS-114																
15/16	VTWS-115	VS-115	3 3/32	5/8	49/64	11/32	1 7/8	1 1/4	3/4	1 1/2	2 1/4	17/32	3	3 1/2	4 3/32	1 9/16	1 17/32	1.7
1	VTWS-116	VS-116																
1 1/8	VTWS-118	VS-118																
1 3/16	VTWS-119	VS-119	3 3/8	3/4	25/32	3/8	2 1/8	1 7/16	7/8	1 3/4	2 1/2	17/32	3 1/2	4	4 5/8	1 25/32	1 19/32	2.4
1 1/4	VTWS-120S	VS-120S																
1 1/4	VTWS-120	VS-120																
1 3/8	VTWS-122	VS-122	3 3/4	3/4	55/64	27/64	2 1/8	1 7/16	7/8	1 3/4	2 3/4	17/32	3 1/2	4	5	2	1 3/4	3.1
1 7/16	VTWS-123	VS-123																
1 1/2	VTWS-124	VS-124	4 7/32	3/4	15/16	31/64	2 3/4	1 15/16	1 1/8	2 1/8	3 1/4	11/16	4	4 1/2	5 19/32	2 3/16	2 1/32	4.7
1 11/16	VTWS-127	VS-127	4 3/8	3/4	61/64	31/64	2 3/4	1 15/16	1 1/8	2 1/8	3 1/4	11/16	4	4 1/2	5 3/4	2 1/4	2 1/8	5.2
1 3/4	VTWS-128	VS-128																
1 15/16	VTWS-131	VS-131	4 17/32	3/4	1 3/64	1/2	2 3/4	1 15/16	1 1/8	2 1/8	3 3/8	11/16	4	4 1/2	5 29/32	2 5/16	2 7/32	5.4
2	VTWS-132S	VS-132S																
2	VTWS-132	VS-132	5 3/32	1	1 7/64	35/64	3 5/8	2 1/2	1 3/8	2 1/2	3 3/4	1 1/16	5 1/8	5 3/4	6 27/32	2 9/16	2 17/32	8
2 3/16	VTWS-135	VS-135																

REV 1

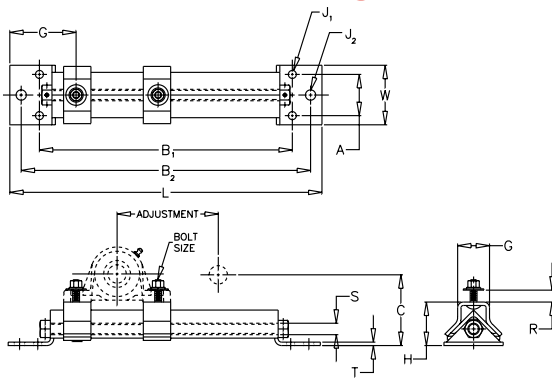
CROSS REFERENCE TO COMPETITORS PRODUCTS

REPLACES DODGE WSTU-VSC	MB TC-25		
		REPLACES HUB CITY WSTU 250	

Refer to Interchange Section Page 162 for more detail.

Ball Bearings

TU-FRAMES

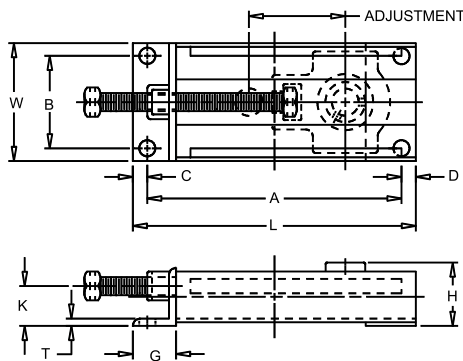


TOP FLANGE
Bearings
Sold
Separately

TF
PROTECTED
SCREW
TAKEUP
FRAME

FRAME PART NO.	BORE RANGE	Nominal Adjustment	Dimensions In Inches													BOLT SIZE	UNIT WT.
			L	W	A	B1	B2	G	H	J1	J2	Q	R	S	T		
6TF16	3/4-1	6	17 1/8	3 1/4	2 1/4	13 7/8	15 7/8	3 5/16	2 3/8	7/16	9/16	1 3/4	9/16	5/8	3/16	3/8	6.0
9TF16	3/4-1	9	20 1/8	3 1/4	2 1/4	16 7/8	18 7/8	3 5/16	2 3/8	7/16	9/16	1 3/4	9/16	5/8	3/16	3/8	6.7
6TF31	1 1/16-1 15/16	6	18 3/16	3 1/2	2 1/2	15 7/16	16 15/16	3 3/8	2 13/16	7/16	9/16	2 5/16	7/8	3/4	3/16	1/2	8.9
9TF31	1 1/16-1 15/16	9	22 5/8	3 1/2	2 1/2	19 7/8	21 3/8	3 3/8	2 13/16	7/16	9/16	2 5/16	7/8	3/4	3/16	1/2	10.3
12TF31	1 1/16-1 15/16	12	24 3/16	3 1/2	2 1/2	21 7/16	22 15/16	3 3/8	2 13/16	7/16	9/16	2 5/16	7/8	3/4	3/16	1/2	10.9
18TF31	1 1/16-1 15/16	18	31 5/8	3 1/2	2 1/2	28 7/8	30 3/8	3 3/8	2 13/16	7/16	9/16	2 5/16	7/8	3/4	3/16	1/2	13.3
12TF39	2-2 7/16	12	28	4 1/2	3	24 3/4	26 3/4	4	3 5/16	9/16	11/16	2 5/8	15/16	1	1/4	5/8	18.3
18TF39	2-2 7/16	18	34	4 1/2	3	30 3/4	32 3/4	4	3 5/16	9/16	11/16	2 5/8	15/16	1	1/4	5/8	21.2

REV 0



SIDE FLANGE
Bearings
Sold
Separately

SF
CENTER
PULL
TAKEUP
FRAME

FRAME PART NO.	BORE RANGE	Adjustment	Dimensions In Inches											BOLT HOLES		UNIT WT.
			L	W	A	B	C	D	G	H MAX	K	T	No.	SIZE		
1SF10	3/4 - 1	1 1/2	7	4 1/16	6	3 3/16	1/2	1/2	1 1/2	2 7/16	1 3/8	1/4	3	9/16	3.3	
3SF10	3/4 - 1	3	8 1/2	4 1/16	7 1/2	3 3/16	1/2	1/2	1 1/2	2 7/16	1 3/8	1/4	3	9/16	3.9	
6SF16	3/4 - 1	6	11 1/2	4 1/16	10 1/2	3 3/16	1/2	1/2	1 1/2	2 7/16	1 3/8	1/4	3	9/16	5.1	
9SF16	3/4 - 1	9	14 1/2	4 1/16	13 1/2	3 3/16	1/2	1/2	1 1/2	2 7/16	1 3/8	1/4	3	9/16	6.2	
3SF23	1 1/8 - 1 7/16	3	9 3/8	4 11/16	8 3/8	3 11/16	1/2	1/2	1 1/2	2 31/32	1 3/8	1/4	3	9/16	5.4	
6SF23	1 1/8 - 1 7/16	6	12 3/8	4 11/16	11 3/8	3 11/16	1/2	1/2	1 1/2	2 31/32	1 3/8	1/4	3	9/16	6.7	
9SF23	1 1/8 - 1 7/16	9	15 3/8	4 11/16	14 3/8	3 11/16	1/2	1/2	1 1/2	2 31/32	1 3/8	1/4	3	9/16	8.1	
12SF23	1 1/8 - 1 7/16	12	18 3/8	4 11/16	17 3/8	3 11/16	1/2	1/2	1 1/2	2 31/32	1 3/8	1/4	3	9/16	9.5	
3SF31	1 1/2 - 1 15/16	3	11	5 1/16	9 7/8	3 1/16	1/2	5/8	1 1/2	3 1/8	1 5/8	1/4	4	9/16	7.4	
6SF31	1 1/2 - 1 15/16	6	14	5 1/16	12 7/8	3 1/16	1/2	5/8	1 1/2	3 1/8	1 5/8	1/4	4	9/16	9.1	
9SF31	1 1/2 - 1 15/16	9	17	5 1/16	15 7/8	3 1/16	1/2	5/8	1 1/2	3 1/8	1 5/8	1/4	4	9/16	10.8	
12SF31	1 1/2 - 1 15/16	12	20	5 1/16	18 7/8	3 1/16	1/2	5/8	1 1/2	3 1/8	1 5/8	1/4	4	9/16	12.5	
18SF31	1 1/2 - 1 15/16	18	26	5 1/16	24 7/8	3 1/16	1/2	5/8	1 1/2	3 1/8	1 5/8	1/4	4	9/16	15.9	
9SF39	2 - 2 3/16	9	18 1/4	6 3/8	16 7/8	4 1/8	5/8	3/4	2	3 23/32	1 7/8	5/16	4	11/16	20.0	
12SF39	2 - 2 3/16	12	22 1/4	6 3/8	19 7/8	4 1/8	5/8	3/4	2	3 23/32	1 7/8	5/16	4	11/16	22.8	
18SF39	2 - 2 3/16	18	27 1/4	6 3/8	25 7/8	4 1/8	5/8	3/4	2	3 23/32	1 7/8	5/16	4	11/16	28.2	

REV 1



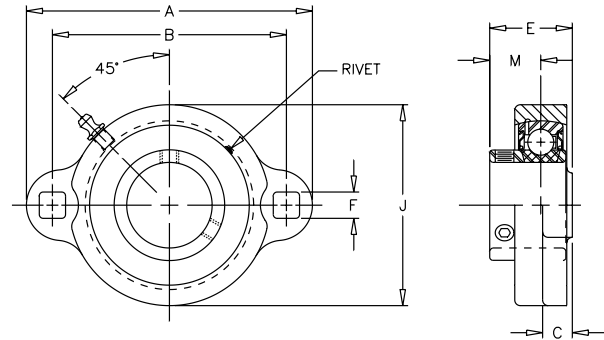
VF2S-100M

Lock: Set Screw
Seal: Contact
Housing: Ductile
Temperature: -20°F to 200°F
Self Alignment: ±1.5°
Inserts: VS-100
 Dimensions pg 45
 Ratings pg 46

Bore Size	Fitting
1/2" - 1 7/16"	1/4" - 28NF

V VALUE & QUALITY
 F FLANGE
 2 TWO BOLT
 S SET SCREW

1 100
 0 INTERMEDIATE
 0 DUTY
 M DUCTILE



SHAFT DIA. IN	UNIT NO.	BRG. NO.	Dimensions In Inches							UNIT WT.
			A	B	C	E	F	J	M	
1/2	VF2S-108M	VS-108	3 3/16	2 1/2	13/32	31/32	19/64	1 15/16	5/8	.6
5/8	VF2S-110M	VS-110								
3/4	VF2S-112M	VS-112	3 9/16	2 13/16	7/16	1 7/64	23/64	2 1/4	47/64	.9
7/8	VF2S-114M	VS-114								
15/16	VF2S-115M	VS-115	3 3/4	3	7/16	1 3/16	23/64	2 1/2	49/64	1.0
1	VF2S-116M	VS-116								
1 1/8	VF2S-118M	VS-118								
1 3/16	VF2S-119M	VS-119	4 7/16	3 9/16	15/32	1 17/64	27/64	2 15/16	25/32	1.5
1 1/4	VF2S-120SM	VS-120S								
1 1/4	VF2S-120M	VS-120								
1 3/8	VF2S-122M	VS-122	4 13/16	3 15/16	1/2	1 25/64	27/64	3 3/8	55/64	1.9
1 7/16	VF2S-123M	VS-123								

REV 0

CROSS REFERENCE TO COMPETITORS PRODUCTS

REPLACES DODGE LFT-SC		REPLACES SEALMASTER BRONZE LFT	REPLACES NTN UCFL-2
	REPLACES LINK-BELT FX-UG200N	REPLACES HUB CITY FB 160	REPLACES BOSTON XL2**

Refer to Interchange Section Page 162 for more detail.

**-Non-Relubricable

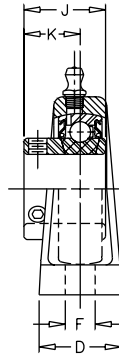
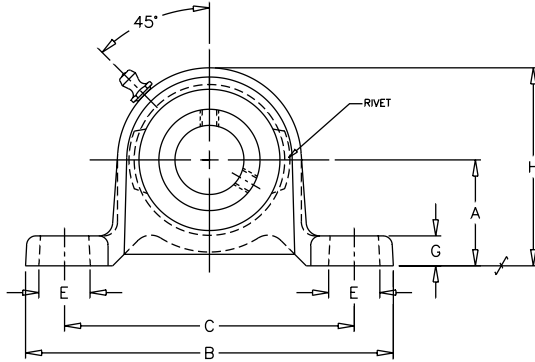
Ball Bearings

VALUE & QUALITY V
PILLOW BLOCK P
SET SCREW S

VPS-100M

100 1
INTERMEDIATE 0
DUTY 0
DUCTILE M

Lock: Set Screw
Seal: Contact
Housing: Ductile
Temperature: -20°F to 200°F
Self Alignment: ±1.5°
Inserts: VS-100
Dimensions pg 45
Ratings pg 46



Bore Size	Fitting
1/2" - 1 7/16"	1/4" - 28NF

SHAFT DIA. IN	UNIT NO.	BRG. NO.	Dimensions in Inches										UNIT WT.	
			A	B	C	D	E	F	G	H	J	K		
1/2	VPS-108M	VS-108												
5/8	VPS-110M	VS-110	1 3/16	4 7/16	3 7/16	1	21/32	7/16	11/32	2 5/32	15/16	5/8	0.7	
3/4	VPS-112M	VS-112	1 5/16	4 3/4	3 3/4	1 1/16	21/32	7/16	3/8	2 7/16	1 1/16	23/32	0.9	
7/8	VPS-114M	VS-114												
15/16	VPS-115M	VS-115	1 7/16	5	3 15/16	1 1/8	21/32	7/16	13/32	2 11/16	1 7/64	49/64	1.1	
1	VPS-116M	VS-116												
1 1/8	VPS-118M	VS-118												
1 3/16	VPS-119M	VS-119	1 11/16	5 15/16	4 23/32	1 5/16	27/32	9/16	13/32	3 5/32	1 5/32	25/32	1.6	
1 1/4	VPS-120SM	VS-120S												
1 1/4	VPS-120M	VS-120												
1 3/8	VPS-122M	VS-122	1 7/8	6 1/4	5	1 3/8	27/32	9/16	7/16	3 9/16	1 9/32	55/64	2.4	
1 7/16	VPS-123M	VS-123												

REV 0

CROSS REFERENCE TO COMPETITORS PRODUCTS

		REPLACES SEALMASTER BRONZE LP	
		REPLACES HUB CITY PB 150	REPLACES BOSTON XL**

Refer to Interchange Section Page 162 for more detail.
**-Non-Relubricable

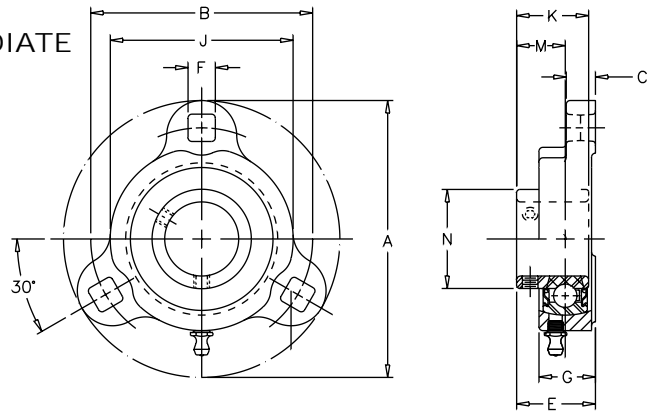


VF3S-100M

Lock: Set Screw
Seal: Contact
Housing: Ductile
Temperature: -20°F to 200°F
Self Alignment: ±1.5°
Inserts: VS-100
 Dimensions pg 45
 Ratings pg 46

V VALUE & QUALITY
F FLANGE
3 THREE BOLT
S SET SCREW

1 100
0 INTERMEDIATE
0 DUTY
M DUCTILE



Bore Size	Fitting
1/2" - 1 7/16"	1/4" - 28NF

SHAFT DIA. IN	UNIT NO.	BRG. NO.	Dimensions In Inches										UNIT WT.
			A	B	C	E	F	G	J	K	M	N	
1/2	VF3S-108M	VS-108	3 3/16	2 1/2	13/32	31/32	19/64	5/8	1 15/16	15/16	5/8	31/32	.60
5/8	VF3S-110M	VS-110											
3/4	VF3S-112M	VS-112	3 9/16	2 13/16	7/16	1 7/64	23/64	23/32	2 1/4	1 1/16	23/32	1 3/16	.81
7/8	VF3S-114M	VS-114											
15/16	VF3S-115M	VS-115	3 3/4	3	7/16	1 3/16	23/64	25/32	2 1/2	1 7/64	49/64	1 3/8	1.05
1	VF3S-116M	VS-116											
1 1/8	VF3S-118M	VS-118											
1 3/16	VF3S-119M	VS-119	4 7/16	3 9/16	15/32	1 17/64	27/64	29/32	2 15/16	1 5/32	25/32	1 19/32	1.50
1 1/4	VF3S-120SM	VS-120S											
1 1/4	VF3S-120M	VS-120											
1 3/8	VF3S-122M	VS-122	4 13/16	3 15/16	1/2	1 25/64	27/64	31/32	3 3/8	1 9/32	55/64	1 55/64	2.00
1 7/16	VF3S-123M	VS-123											

REV 0

CROSS REFERENCE TO COMPETITORS PRODUCTS

REPLACES DODGE LF-SC		REPLACES SEALMASTER BRONZE LF	
	REPLACES LINK-BELT F-UG 200N*	REPLACES HUB CITY FB 150	REPLACES BOSTON XL3**

Refer to Interchange Section Page 162 for more detail.

*-3 Bolt Only

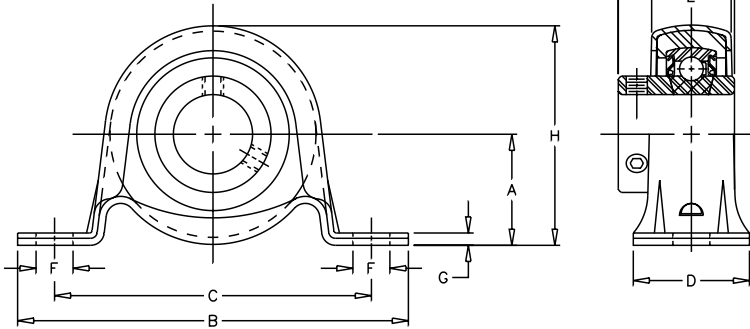
**-Non-Relubricable

Ball Bearings

STAMPED S
STEEL S
RUBBER GROMMET R
PILLOW BLOCK P
SET SCREW S

SSRPS-100

Lock: Set Screw
Seal: Contact
Housing: Stamped Steel
Rubber Grommet
Temperature: -20°F to 200°F
Inserts: LRS-100
Page 43



100 1
LIGHT 0
DUTY 0

No Re-Lube

SHAFT DIA. IN.	MAX STEADY RADIAL LOAD LBS	UNIT NO.	Dimensions In Inches										UNIT WT.
			A	B	C	D	E	F	G	H	J	K	
3/4	250	SSRPS-112	1 1/8	4 1/4	3 3/8	1 1/4	27/32	7/16	1/8	2 13/64	1 7/32	13/16	0.6
7/8	300	SSRPS-114	1 5/16	4 5/8	3 3/4	1 3/8	61/64	7/16	5/32	2 19/32	1 3/8	55/64	0.8
15/16		SSRPS-115											
1		SSRPS-116											

REV 2

CROSS REFERENCE TO COMPETITORS PRODUCTS

		REPLACES SEALMASTER BRONZE LRP	

Refer to Interchange Section Page 162 for more detail.



100

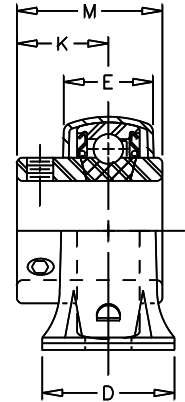
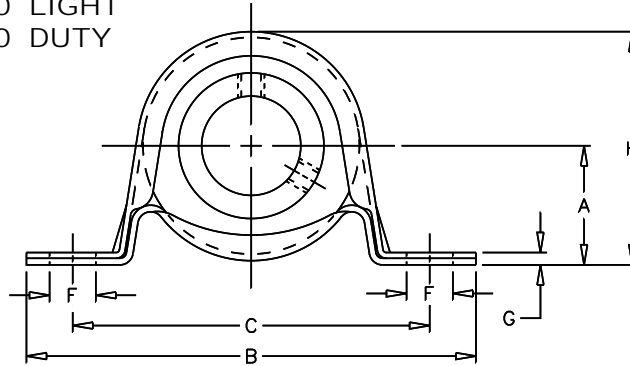
SSPS-100

Lock: Set Screw
Seal: Contact
Housing: Stamped Steel
Temperature: -20°F to 200°F
Inserts: LRS-100
 Dimensions pg 43

S STAMPED
 S STEEL
 P PILLOW BLOCK
 S SET SCREW

1 100
 0 LIGHT
 0 DUTY

No Re-Lube



SHAFT DIA. IN.	MAX STEADY RADIAL LOAD LBS	UNIT NO.	BRG. NO.	Dimensions In Inches										UNIT WT.
				A	B	C	D	E	F	G	H	K	M	
7/8	400	SSPS-114	LRS-114	1 1/8	4 1/4	3 3/8	1 1/4	27/32	7/16	1/8	2 13/64	7/8	1 3/8	0.6
15/16		SSPS-115	LRS-115											
1		SSPS-116	LRS-116											
1 1/8	600	SSPS-118	LRS-118	1 5/16	4 5/8	3 3/4	1 3/8	61/64	7/16	5/32	2 19/32	7/8	1 19/32	1.0
1 3/16		SSPS-119	LRS-119											
1 1/4		SSPS-120S	LRS-120S											

REV 3

CROSS REFERENCE TO COMPETITORS PRODUCTS

REPLACES DODGE P2B-SL	REPLACES MB PS-25	REPLACES SEALMASTER BRONZE SSP	REPLACES NTN ASPP2
	REPLACES HUB CITY PB 100S		REPLACES BOSTON PS

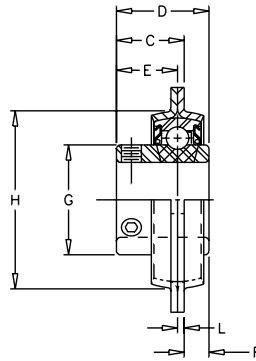
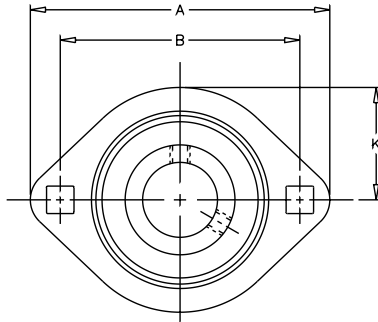
Refer to Interchange Section Page 162 for more detail.

Ball Bearings

STAMPED S
 STEEL S
 FLANGE F
 TWO BOLT 2
 SET SCREW S

SSF2S-100

Lock: Set Screw
Seal: Contact
Housing: Stamped Steel
Temperature: -20°F to 200°F
Inserts: LS-100
 Dimensions pg 44



100 1
 LIGHT 0
 DUTY 0

No Re-Lube

SHAFT DIA. IN.	MAX STEADY RADIAL LOAD LBS.	UNIT NO.	BRG. NO.	Dimensions In Inches										BOLT SIZE	UNIT WT.
				A	B	C	D	E	F	G	H	K	L		
1/2	600	SSF2S-108	LS-108	3 3/16	2 1/2	45/64	15/16	5/8	15/64	31/32	1 47/64	1 1/8	.075	1/4	.6
5/8		SSF2S-110	LS-110												
3/4	600	SSF2S-112	LS-112	3 9/16	2 13/16	51/64	1 1/16	23/32	1/4	1 3/16	2 1/64	1 5/16	.083	5/16	.8
7/8	800	SSF2S-114	LS-114	3 3/4	3	55/64	1 7/64	49/64	1/4	1 3/8	2 7/32	1 13/32	.083	5/16	.9
15/16		SSF2S-115	LS-115												
1		SSF2S-116	LS-116												
1 1/8	1100	SSF2S-118	LS-118	4 7/16	3 9/16	57/64	1 5/32	25/32	17/64	1 19/32	2 21/32	1 21/32	.104	3/8	1.0
1 3/16		SSF2S-119	LS-119												
1 1/4		SSF2S-120S	LS-120S												

REV 1

CROSS REFERENCE TO COMPETITORS PRODUCTS

REPLACES DODGE F2B-SL	REPLACES MB FPS2-25	REPLACES SEALMASTER BRONZE SSFT	REPLACES NTN ASPFL 2
	REPLACES LINK-BELT MST	REPLACES HUB CITY FB110S	REPLACES BOSTON PS2

Refer to Interchange Section Page 162 for more detail.



100

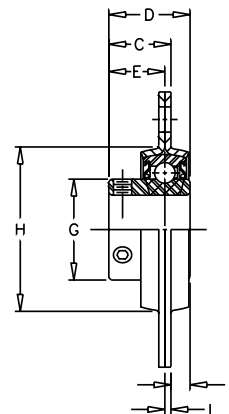
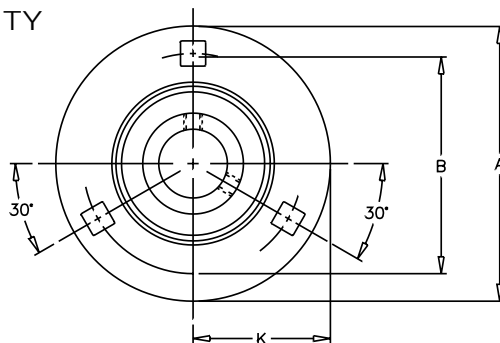
SSF3S-100

Lock: Set Screw
Seal: Contact
Housing: Stamped Steel
Temperature: -20°F to 200°F
Inserts: LS-100
 Dimensions pg 44

S STAMPED
 S STEEL
 F FLANGE
 3 THREE BOLT
 S SET SCREW

1 100
 0 LIGHT
 0 DUTY

No Re-Lube



SHAFT DIA. IN.	MAX STEADY RADIAL LOAD LBS	UNIT NO.	BRG. NO.	Dimensions In Inches										BOLT SIZE	UNIT WT.
				A	B	C	D	E	F	G	H	K	L		
3/4	700	SSF3S-112	LS-112	3 9/16	2 13/16	13/16	1 1/16	23/32	1/4	1 3/16	2 1/64	1 25/32	.083	5/16	1.0
7/8	800	SSF3S-114	LS-114	3 3/4	3	55/64	1 7/64	49/64	1/4	1 3/8	2 7/32	1 7/8	.083	5/16	1.3
15/16		SSF3S-115	LS-115												
1		SSF3S-116	LS-116												
1 1/8	1100	SSF3S-118	LS-118	4 7/16	3 9/16	57/64	1 5/32	25/32	17/64	1 19/32	2 21/32	2 7/16	.104	3/8	1.5
1 3/16		SSF3S-119	LS-119												
1 1/4		SSF3S-120S	LS-120S												
1 1/4	1400	SSF3S-120	LS-120	4 13/16	3 15/16	31/32	1 9/32	55/64	5/16	1 55/64	3 1/16	2 13/32	.104	3/8	1.8
1 3/8		SSF3S-122	LS-122												
1 7/16		SSF3S-123	LS-123												

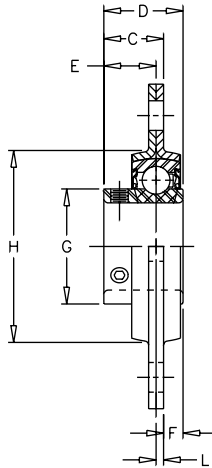
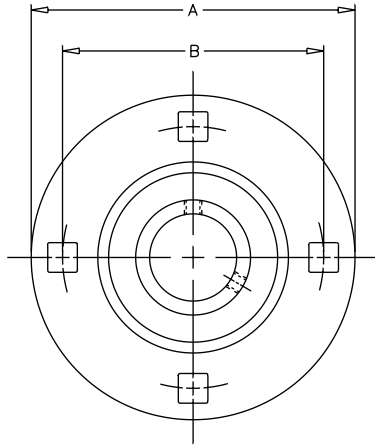
REV 1

CROSS REFERENCE TO COMPETITORS PRODUCTS

REPLACES DODGE F3B-SL	REPLACES MB FPS3-25	REPLACES SEALMASTER BRONZE SSF	REPLACES NTN ASPF2
	REPLACES LINK-BELT MS*	REPLACES HUB CITY FB 100S	REPLACES BOSTON PS3

Refer to Interchange Section Page 162 for more detail.
 *-Bearings not included

Ball Bearings



STAMPED S
STEEL S
FLANGE F
FOUR BOLT 4
SET SCREW S

100 1
LIGHT 0
DUTY 0

SSF4S-100

Lock: Set Screw
Seal: Contact
Housing: Stamped Steel
Temperature: -20°F to 200°F
Inserts: LS-100
Dimensions pg 44

No Re-Lube

SHAFT DIA. IN.	MAX STEADY RADIAL LOAD LBS.	UNIT NO.	BRG. NO.	Dimensions In Inches									BOLT SIZE	UNIT WT.
				A	B	C	D	E	F	G	H	L		
1 1/2	1700	SSF4S-124	LS-124	5 13/16	4 11/16	1 5/64	1 27/64	15/16	11/32	2 1/16	3 7/16	.134	1/2	3.5
1 11/16	1700	SSF4S-127	LS-127	5 7/8	4 3/4	1 3/32	1 7/16	61/64	11/32	2 19/64	3 5/8	.134	1/2	3.9
1 3/4		SSF4S-128	LS-128											
1 15/16	1900	SSF4S-131	LS-131	6 1/8	5	1 3/16	1 35/64	1 3/64	23/64	2 15/32	3 27/32	.149	1/2	4.0

REV 3

CROSS REFERENCE TO COMPETITORS PRODUCTS

REPLACES DODGE F4B-SL	REPLACES MB TFPS3	REPLACES SEALMASTER BRONZE SSFF	
	REPLACES LINK-BELT MSC*		

Refer to Interchange Section Page 162 for more detail.
*-Bearings not included



100

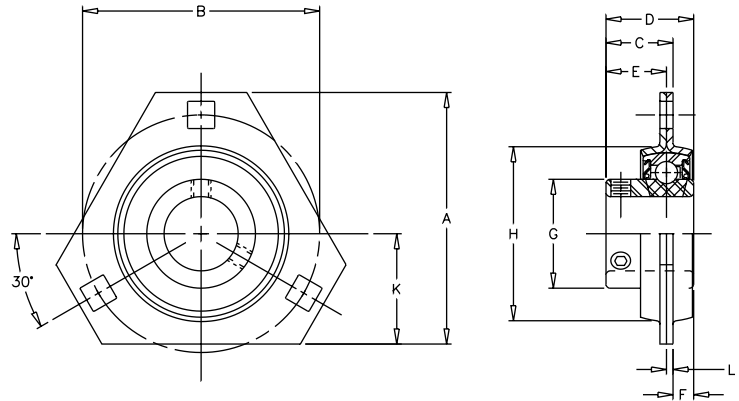
SSF3TS-100

Lock: Set Screw
Seal: Contact
Housing: Stamped Steel
Temperature: -20°F to 200°F
Inserts: LS-100
 Dimensions pg 44

S STAMPED
 S STEEL
 F FLANGE
 3 THREE BOLT
 T TRIANGULAR
 S SET SCREW

1 100
 0 LIGHT
 0 DUTY

No Re-Lube



SHAFT DIA. IN.	MAX STEADY RADIAL LOAD LBS.	UNIT NO.	BRG. NO.	Dimensions In Inches										BOLT SIZE	UNIT WT.
				A	B	C	D	E	F	G	H	K	L		
3/4	700	SSF3TS-112	LS-112	3	2 13/16	51/64	1 1/16	23/32	11/32	1 3/16	2 1/32	1 5/16	.083	5/16	1.0
7/8	800	SSF3TS-114	LS-114	3 1/8	3	27/32	1 7/64	49/64	11/32	1 3/8	2 7/32	1 3/8	.083	5/16	1.1
15/16		SSF3TS-115	LS-115												
1		SSF3TS-116	LS-116												
1 1/8	1100	SSF3TS-118	LS-118	3 11/16	3 9/16	57/64	1 5/32	25/32	3/8	1 19/32	2 21/32	1 1/2	.104	3/8	1.3
1 3/16		SSF3TS-119	LS-119												
1 1/4		SSF3TS-120S	LS-120S												

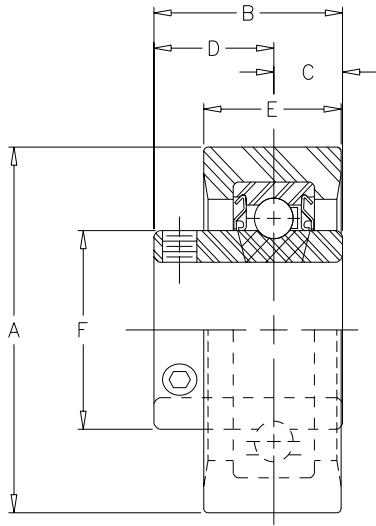
REV 1

CROSS REFERENCE TO COMPETITORS PRODUCTS

	REPLACES MB TFPS3-25	REPLACES SEALMASTER BRONZE TSSF	
	REPLACES LINK-BELT MSTR*		

Refer to Interchange Section Page 162 for more detail.
 *-Bearing not included

Ball Bearings



RUBBER R
 GROMMET U
 STRAIGHT OD B
 INSERT R
 SET SCREW S

100 1
 LIGHT 0
 DUTY 0

RUBRS-100

Lock: Set Screw
Seal: Contact
Housing: Rubber Grommet
Temperature: -20°F to 200°F
Inserts: SLS-100
 Dimensions pg 42

No Re-Lube

SHAFT DIA. IN.	MAX STEADY RADIAL LOAD LBS.	UNIT NO.	BRG. NO.	Dimensions In Inches						UNIT WT.
				A	B	C	D	E	F	
1/2	250	RUBRS-108	SLRS-108	2 17/32	1 9/32	13/32	7/8	1	1 3/16	0.5
5/8		RUBRS-110	SLRS-110							
3/4		RUBRS-112	SLRS-112							
15/16	300	RUBRS-115	SLRS-115	2 17/32	1 3/8	1/2	7/8	1	1 3/8	0.64
1		RUBRS-116	SLRS-116							

REV 1

CROSS REFERENCE TO COMPETITORS PRODUCTS

	REPLACES MB RER		

Refer to Interchange Section Page 162 for more detail.



100



Ball Bearings

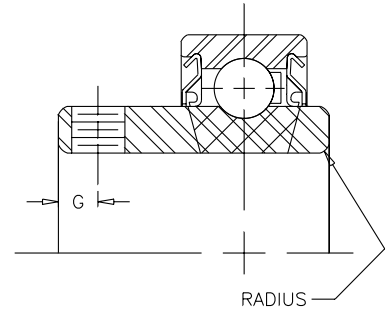
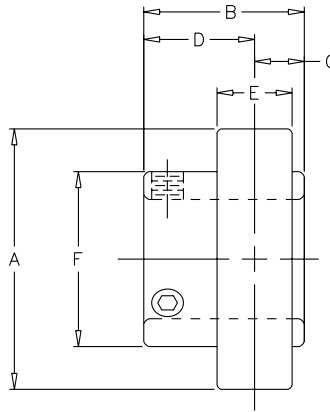
SLS-100

Lock: Set Screw
 Seal: Contact
 Temperature: -20°F to 200°F
 Ratings: Page 46

No Re-Lube

S STRAIGHT OD
 L LUBED INSERT
 S SET SCREW

1 100
 0 LIGHT
 0 DUTY



SHAFT DIA. IN.	BRG. NO.	Dimensions In Inches								SET SCREW TAP	UNIT WT.
		A	B	C	D	E	F	G	RADIUS		
1/2	SLS-108	40MM	15/16	5/16	5/8	33/64	31/32	5/32	.055	10-32	.4
5/8	SLS-110	1.5748									
3/4	SLS-112	47MM 1.8504	1 1/16	11/32	23/32	19/32	1 3/16	3/16	.070	1/4-28	.5
7/8	SLS-114	52MM	1 7/64	11/32	49/64	19/32	1 3/8	3/16	.070	1/4-28	.6
15/16	SLS-115	2.0472									
1	SLS-116										
1 1/8	SLS-118	62MM	1 5/32	3/8	25/32	45/64	1 19/32	7/32	.080	1/4-28	1.0
1 3/16	SLS-119	2.4409									
1 1/4	SLS-120S										
1 1/4	SLS-120	72MM	1 9/32	27/64	55/64	3/4	1 55/64	1/4	.080	5/16-24	1.6
1 3/8	SLS-122	2.8346									
1 7/16	SLS-123										
1 1/2	SLS-124	80MM 3.1496	1 27/64	31/64	15/16	55/64	2 1/16	9/32	.095	5/16-24	1.8

REV 0

CROSS REFERENCE TO COMPETITORS PRODUCTS

	REPLACES MB MSL/MSLN	REPLACES SEALMASTER BRONZE SL	
	REPLACES LINK-BELT SB 200EL		

Refer to Interchange Section Page 162 for more detail.

Ball Bearings

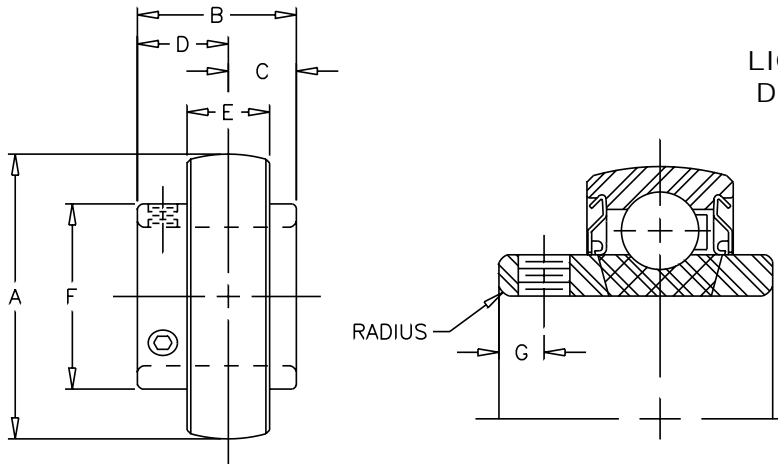
LUBED L
INSERT R
SET SCREW S

100 1
LIGHT 0
DUTY 0

LRS-100

Lock: Set Screw
Seal: Contact
Temperature: -20°F to 200°F
Ratings: Page 46

No Re-Lube



SHAFT DIA. IN.	BRG. NO.	Dimensions In Inches							RADIUS	SET SCREW TAP	UNIT WT.
		A	B	C	D	E	F	G			
3/4	LRS-112	47MM 1.8504	1 7/32	13/32	13/16	19/32	1 3/16	3/16	.040	1/4-28	.4
7/8	LRS-114	52MM	1 3/8	33/64	55/64	19/32	1 3/8	7/32	.040	1/4-28	.5
15/16	LRS-115	2.0472									
1	LRS-116										
1 1/8	LRS-118	62MM	1 1/2	5/8	7/8	45/64	1 19/32	7/32	.040	1/4-28	.9
1 3/16	LRS-119	2.4409									
1 1/4	LRS-120S										

REV 1

CROSS REFERENCE TO COMPETITORS PRODUCTS

For insert interchange information, contact EPT Mounted Bearing Technical Support.
See page 256 for contact information.



100

Browning®

Ball Bearings

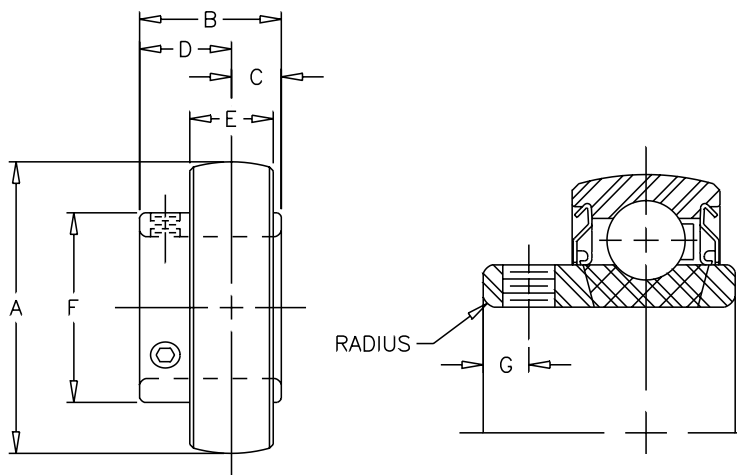
LS-100

Lock: Set Screw
Seal: Contact
Temperature: -20°F to 200°F
Ratings: Page 46

No Re-Lube

L LUBED INSERT
 S SET SCREW

1 100
 0 LIGHT
 0 DUTY



SHAFT DIA. IN.	BRG. NO.	Dimensions In Inches								SET SCREW TAP	UNIT WT.
		A	B	C	D	E	F	G	RADIUS		
1/2	LS-108	40MM	15/16	5/16	5/8	33/64	31/32	5/32	.055	10-32	.4
5/8	LS-110	1.5748									
3/4	LS-112	47MM	1 1/16	11/32	23/32	19/32	1 3/16	3/16	.070	1/4-28	.5
15/16	LS-114	52MM	1 7/64	11/32	49/64	19/32	1 3/8	3/16	.070	1/4-28	.6
1	LS-115	2.0472									
1 1/8	LS-118	62MM	1 5/32	3/8	25/32	45/64	1 19/32	7/32	.080	1/4-28	1.0
1 3/16	LS-119	2.4409									
1 1/4	LS-120S										
1 1/4	LS-120	72MM	1 9/32	27/64	55/64	3/4	1 55/64	1/4	.080	5/16-24	1.6
1 3/8	LS-122	2.8346									
1 7/16	LS-123										
1 1/2	LS-124	80MM	1 27/64	31/64	15/16	55/64	2 1/16	9/32	.095	5/16-24	1.8
1 11/16	LS-127	85MM	1 7/16	31/64	61/64	55/64	2 19/64	5/16	.110	5-16-24	1.4
1 3/4	LS-128	3.3465									
1 15/16	LS-131	90MM	1 35/64	1/2	1 3/64	29/32	2 15/32	3/8	.110	3/8-24	1.6
		3.5433									

REV 2

CROSS REFERENCE TO COMPETITORS PRODUCTS

For insert interchange information, contact EPT Mounted Bearing Technical Support.

See page 256 for contact information.

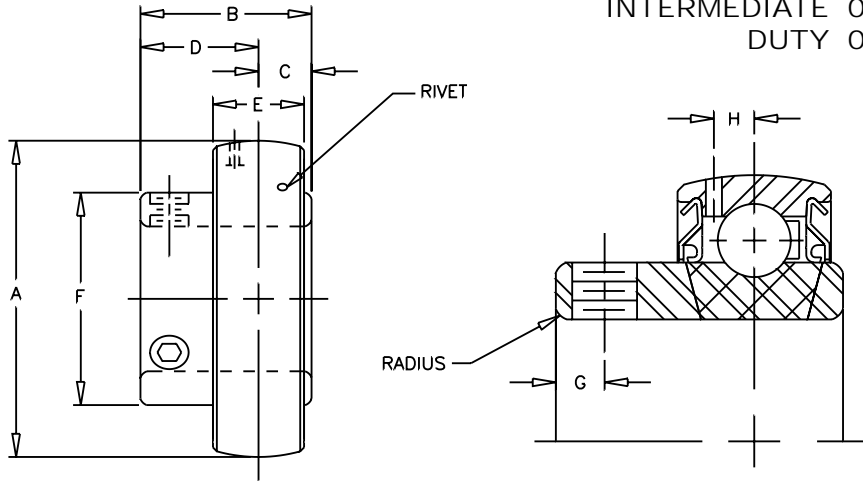
Ball Bearings

VALUE & QUALITY V
SET SCREW S

VS-100

100 1
INTERMEDIATE 0
DUTY 0

Lock: Set Screw
Seal: Contact
Temperature: -20°F to 200°F
Ratings: Page 46



SHAFT DIA. IN	BRG. NO.	Dimensions In Inches									SET SCREW TAP	UNIT WT.
		A	B	C	D	E	F	G	H	RADIUS		
1/2	VS-108	40MM	15/16	5/16	5/8	.512	31/32	5/32	9/64	.055	10-32	.3
5/8	VS-110	1.5748										
3/4	VS-112	47MM 1.8504	1 1/16	11/32	23/32	.591	1 3/16	3/16	5/32	.070	1/4-28	.4
7/8	VS-114	52MM	1 7/64	11/32	49/64	.591	1 3/8	3/16	5/32	.070	1/4-28	.5
15/16	VS-115	2.0472										
1	VS-116											
1 1/8	VS-118	62MM	1 5/32	3/8	25/32	.709	1 19/32	7/32	13/64	.080	1/4-28	.7
1 3/16	VS-119	2.4409										
1 1/4	VS-120S											
1 1/4	VS-120	72MM	1 9/32	27/64	55/64	.748	1 55/64	1/4	15/64	.080	5/16-24	1.0
1 3/8	VS-122	2.8346										
1 7/16	VS-123											
1 1/2	VS-124	80MM 3.1496	1 27/64	31/64	15/16	.866	2 1/16	9/32	17/64	.095	5/16-24	1.2
1 11/16	VS-127	85MM	1 7/16	31/64	61/64	.866	2 19/64	5/16	17/64	.110	5/16-24	1.4
1 3/4	VS-128	3.3465										
1 15/16	VS-131	90MM	1 35/64	1/2	1 3/64	.906	2 15/32	3/8	9/32	.110	3/8-24	1.6
2	VS-132S	3.5433										
2	VS-132	100MM	1 21/32	35/64	1 7/64	.984	2 23/32	3/8	5/16	.125	3/8-24	2.2
2 3/16	VS-135	3.9370										

REV 0

CROSS REFERENCE TO COMPETITORS PRODUCTS

For insert interchange information, contact EPT Mounted Bearing Technical Support.

See page 256 for contact information.

100 SERIES RATINGS

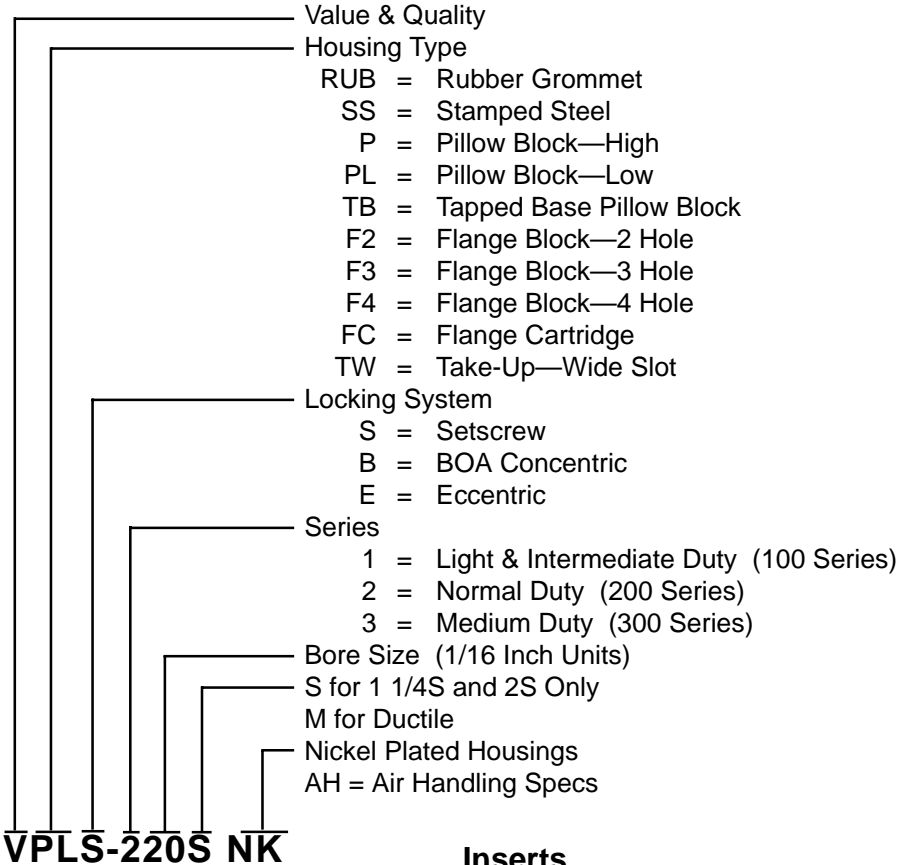
This chart displays all 100 series ball bearings' load capacity for a given L10 life, speed, and shaft size. Values in the table represent loads at ideal conditions with press fit mounting to the shaft. ABMA recommends de-rating of slip fit mounted bearings. To obtain de-rated load, divide load in table by 1.3. Values in the table represent equivalent radial loads only. For combined load determination, see **THE BEARING SELECTION SECTION**, page 262. Areas designated by “-” exceed maximum speed values.

Match Bore Size

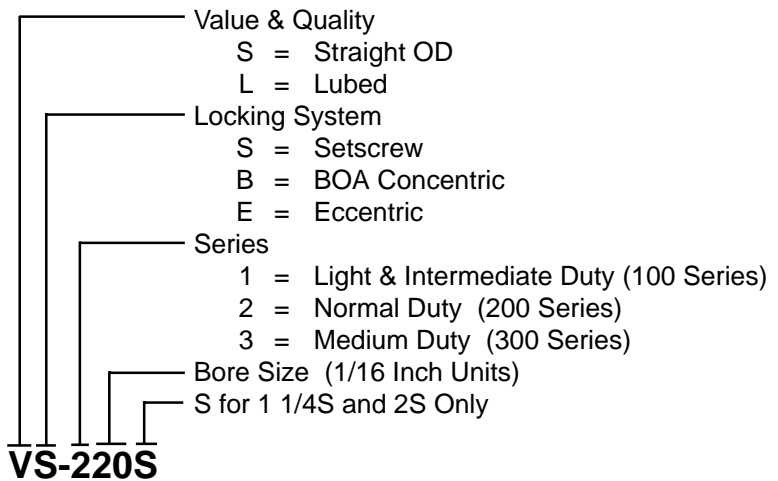
100 Shaft Size	L10 HOURS	REVOLUTIONS PER MINUTE																		
		50	150	250	500	750	1000	1500	1750	2000	2500	3000	3500	4000	45000	5000	5500			
1/2	5000	315	315	315	315	315	315	275	261	250	232	218	207	198	184	173	165	157	151	146
	10000	315	315	315	315	275	250	218	207	198	184	173	165	157	151	146				
	250	315	315	275	218	191	173	151	144	138	128	120	114	109	105	101				
	50000	315	275	232	184	161	146	128	121	116	108	101	96	92	89	85				
3/4	5000	390	390	390	390	390	390	341	324	310	287	270	257	246						
	10000	390	390	390	390	341	310	270	257	246	228	215	204	195						
	30000	390	390	341	270	236	215	188	178	170	158	149	141	135						
	50000	390	341	287	228	199	181	158	150	144	133	126	119	114						
7/8	5000	418	418	418	418	418	418	366	347	332	308	290	276							
	10000	418	418	418	418	366	332	290	279	264	245	230	219							
	30000	418	418	366	290	253	230	201	191	183	170	160	152							
	50000	418	366	308	245	214	194	170	161	154	143	135	128							
1 1/8	5000	654	654	654	654	654	654	572	543	519	482	454								
	10000	654	654	654	654	572	519	454	431	412	383	360								
	30000	654	654	572	454	396	360	315	299	286	265	250								
	50000	654	572	482	383	334	304	265	252	241	224	211								
1 3/16	5000	864	864	864	864	864	864	755	717	686	636									
	10000	864	864	864	864	755	686	599	569	544	505									
	30000	864	864	755	599	523	475	415	394	377	350									
	50000	864	755	636	505	441	401	350	333	318	295									
1 1/2	5000	1096	1096	1096	1096	1096	1096	958	910	870	808									
	10000	1096	1096	1096	1096	958	870	760	722	691	641									
	30000	1096	1096	958	760	664	603	527	501	479	445									
	50000	1096	958	808	641	560	509	445	422	404	375									
1 11/16	5000	1180	1180	1180	1180	1180	1180	1031	979	937										
	10000	1180	1180	1180	1180	1031	937	818	777	744										
	30000	1180	1180	1031	818	715	650	567	539	516										
	50000	1180	1031	870	690	603	548	479	455	435										
2	5000	1457	1457	1457	1457	1457	1457	1273	1209											
	10000	1457	1457	1457	1457	1273	1156	1010	959											
	30000	1457	1457	1273	1010	882	802	700	665											
	50000	1457	1273	1073	852	744	676	591	561											
2 3/16	5000	1457	1457	1457	1457	1457	1457	1273	1209											
	10000	1457	1457	1457	1457	1273	1156	1010	959											
	30000	1457	1457	1273	1010	882	802	700	665											
	50000	1457	1273	1073	852	744	676	591	561											
2 1/2	5000	1457	1457	1457	1457	1457	1457	1273	1209											
	10000	1457	1457	1457	1457	1273	1156	1010	959											
	30000	1457	1457	1273	1010	882	802	700	665											
	50000	1457	1273	1073	852	744	676	591	561											
3	5000	1457	1457	1457	1457	1457	1457	1273	1209											
	10000	1457	1457	1457	1457	1273	1156	1010	959											
	30000	1457	1457	1273	1010	882	802	700	665											
	50000	1457	1273	1073	852	744	676	591	561											

Nomenclature Part Number Explanation

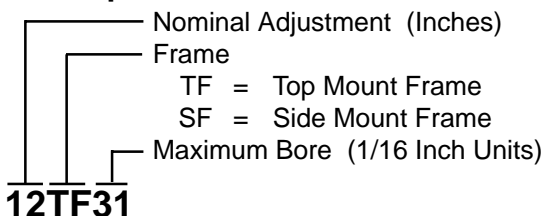
Mounted Units



Inserts

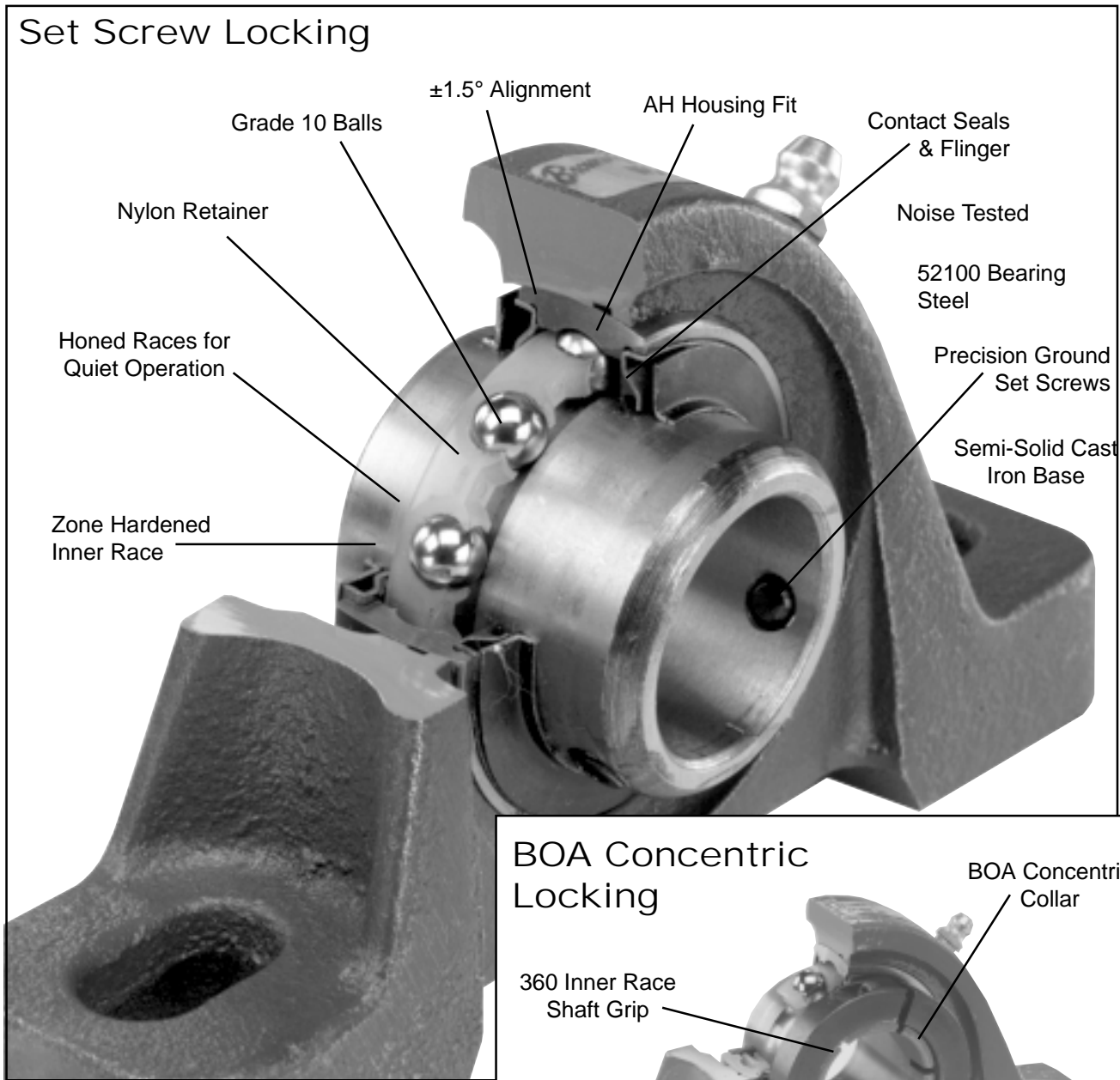


Take-Up Frames

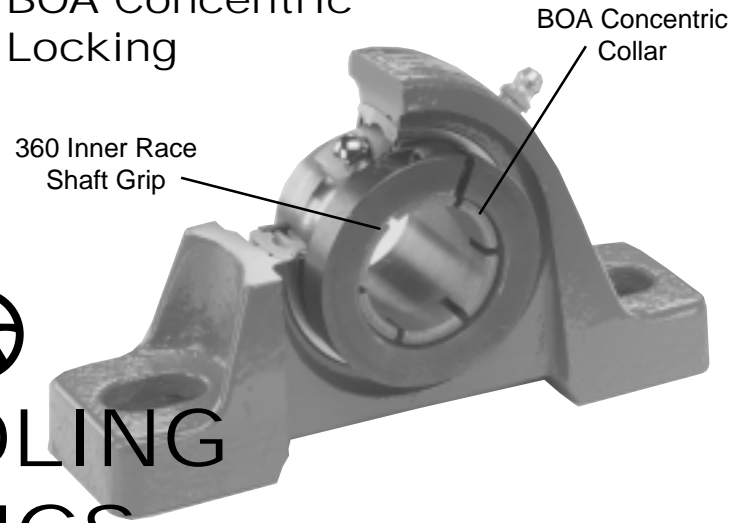


Browning®

Ball Bearings



BOA Concentric Locking



BROWNING 
AH AIR HANDLING
BALL BEARINGS
FEATURES/BENEFITS

REDUCED VIBRATION AND QUIETER OPERATION

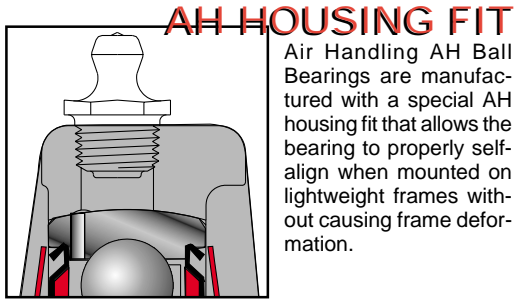
BROWNING

"AH"

AIR HANDLING BALL BEARINGS

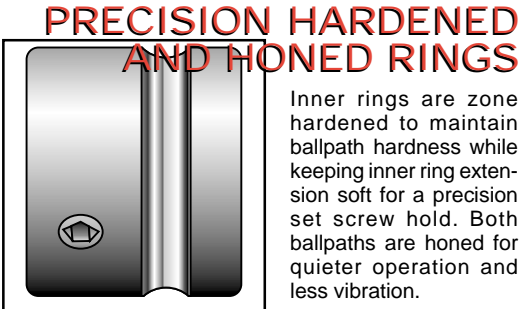
FEATURES/BENEFITS

SERIES



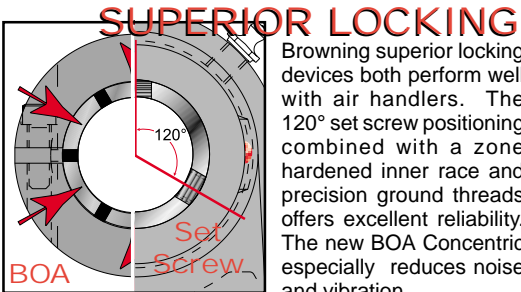
AH HOUSING FIT

Air Handling AH Ball Bearings are manufactured with a special AH housing fit that allows the bearing to properly self-align when mounted on lightweight frames without causing frame deformation.



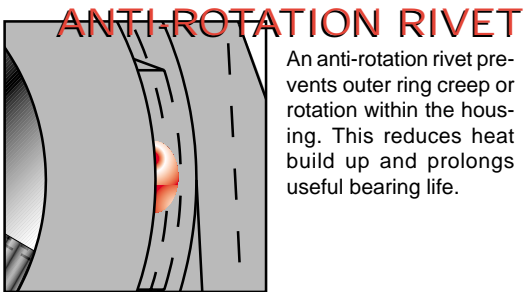
PRECISION HARDENED AND HONED RINGS

Inner rings are zone hardened to maintain ballpath hardness while keeping inner ring extension soft for a precision set screw hold. Both ballpaths are honed for quieter operation and less vibration.



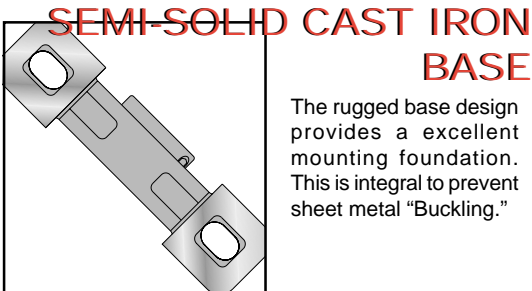
SUPERIOR LOCKING

Browning superior locking devices both perform well with air handlers. The 120° set screw positioning combined with a zone hardened inner race and precision ground threads offers excellent reliability. The new BOA Concentric especially reduces noise and vibration.



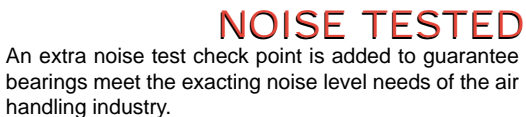
ANTI-ROTATION RIVET

An anti-rotation rivet prevents outer ring creep or rotation within the housing. This reduces heat build up and prolongs useful bearing life.



SEMI-SOLID CAST IRON BASE

The rugged base design provides an excellent mounting foundation. This is integral to prevent sheet metal "Buckling."




NOISE TESTED

An extra noise test check point is added to guarantee bearings meet the exacting noise level needs of the air handling industry.

Popular shaft sizes and housing configurations in the normal and medium duty series are available "off the shelf" with Air Handling features (designated by the AH suffix). These products are offered with both set screw style locking and the increasingly popular BOA Concentric 360° locking collar. AH bearings are segmented into two series: Normal Duty for general purpose use and Medium Duty for heavier loads.

Popular "AH" Sizes and Configurations available with Set Screw and BOA*

- 200 = Normal Duty
- 300 = Medium Duty

Look for the 

PRODUCT OVERVIEW

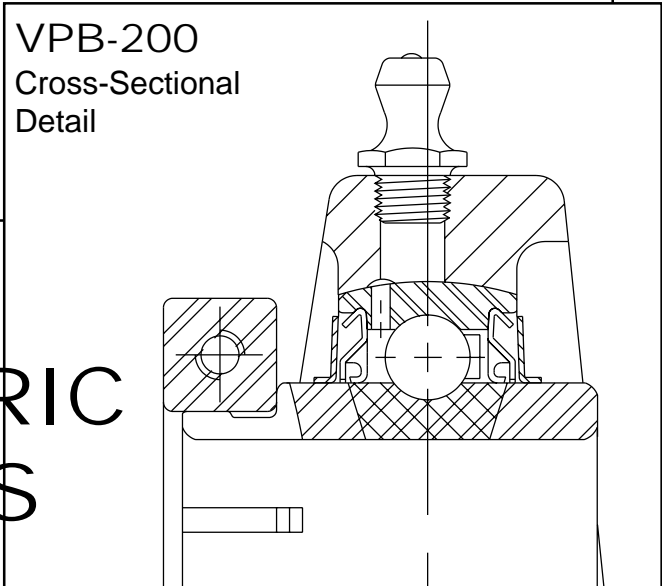
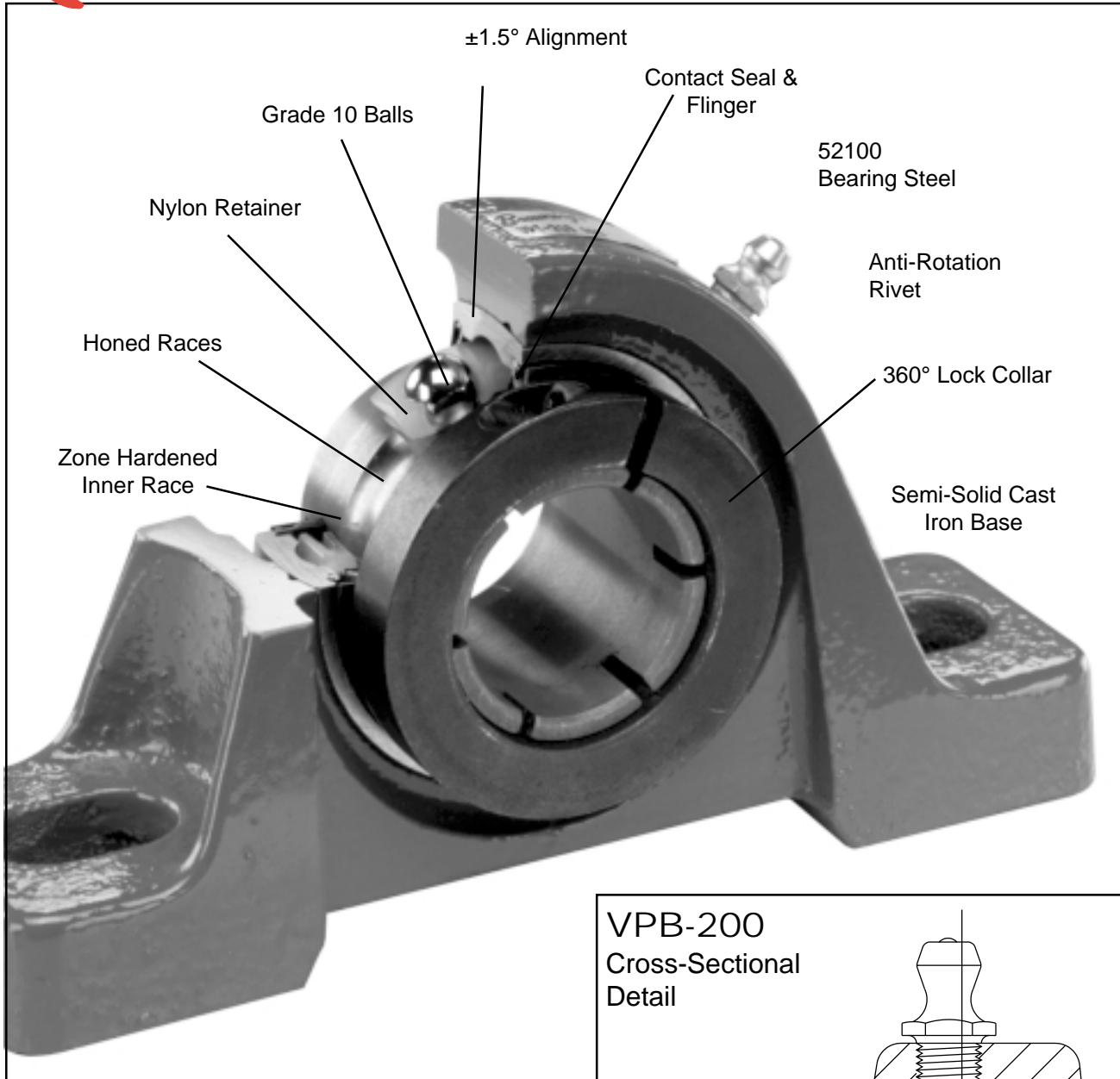
Browning moves air! Browning Bearing products have long been specified by the nation's leading OEM's of HVAC and Air Handling Equipment. From agricultural fans to up blast restaurant exhaust ventilators to Unitary Roof Top systems to rugged Material Handling and Cooling Tower applications Browning Bearings have proven reliable to economically meet customer needs.

Now Browning offers specially designed "AH" Air Handling Bearings as stock product available "off the shelf"! The "AH" suffix designation means Mounted Bearings with a specially controlled "bearing-to-housing fit" and 100% noise tested utilizing state of the art Andrometer equipment.

To specify add "AH" i.e. VPS-216 AH

* See pages 52-64 for actual units available Fall 1998. Call for availability.

ECCENTRIC pg 66
BOA Concentric..... pg 50



BROWNING BOA CONCENTRIC BALL BEARINGS FEATURES/BENEFITS

Browning BOA CONCENTRIC BALL BEARINGS

FEATURES/BENEFITS

SERIES

Browning BOA Concentric Ball Bearings are segmented into two series: normal duty for general purpose use and medium duty for heavier loads.

- 200 = Normal Duty
- 300 = Medium Duty

SELECT FEATURES

Browning BOA Concentric Ball Bearings incorporate a unique concentric locking collar design for better grip on the shaft and less vibration during operation. The BOA-LOC concentric clamp collar, with a single torx head cap screw, provides increased reliability without marring or burring the shaft. The 360° clamping force reduces vibration through improved concentricity.

RELATED PRODUCTS

Browning offers BOA Concentric "off the shelf" in popular **Air Handling** pillow block shaft sizes ranging from 3/4" to 2 7/16". **Air Handling** features may be added to other Browning B-loc units simply by designating "AH" as a suffix to the base nomenclature. Example: VF2B 216 AH. Contact Browning for availability of non stock "AH" units.


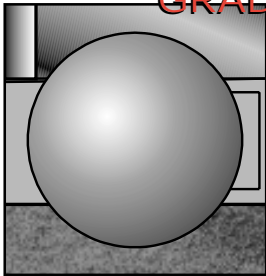
Look for the  See page 48 for details.

TABLE OF CONTENTS

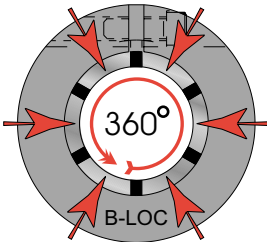
200 Series Standard Duty	
Pillow Blocks Cast Iron	52-53
2-Bolt Flanges Cast Iron	54
4-Bolt Flanges Cast Iron	55
Flange Cartridges Cast Iron	57
Tapped Base Cast Iron	56
Inserts	58
300 Series Medium Duty	
Pillow Blocks Cast Iron	60
2-Bolt Flanges Cast Iron	61
4-Bolt Flanges Cast Iron	62
Flange Cartridges Cast Iron	63
Inserts	64
SET SCREW	4
ECCENTRIC	66

GRADE 10 BALLS



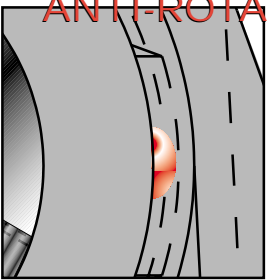
For quieter operation and less vibration. Manufactured with high quality 52100 steel.

SUPERIOR 360 LOCKING



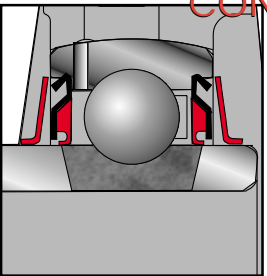
The Browning BOA Concentric collar with a single cap screw provides excellent holding power. The collar is installed over the slotted inner ring on the shaft concentrically. Designed for no shaft marring or burring with minimal run out for less vibration.

ANTI-ROTATION RIVET



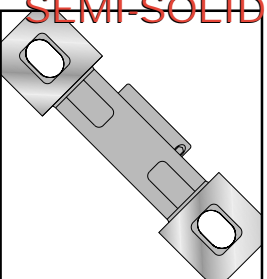
An anti-rotation rivet prevents outer ring creep or rotation within the housing. This reduces heat build up and prolongs useful bearing life.

CONTACT SEAL



Positive contact molded rubber lip with an auxiliary flinger for proven effective sealing against contaminants.

SEMI-SOLID CAST IRON BASE



The rugged base design provides an excellent mounting foundation. This is integral to prevent sheet metal "Buckling."

PRECISION HARDENED AND HONED RINGS

Inner rings are zone hardened to maintain ballpath hardness while keeping inner ring extension soft for a precision fit with the concentric collar. Both ballpaths are honed for quieter operation and less vibration. See cross-section detail – left.

See page 152 for trademark acknowledgments.

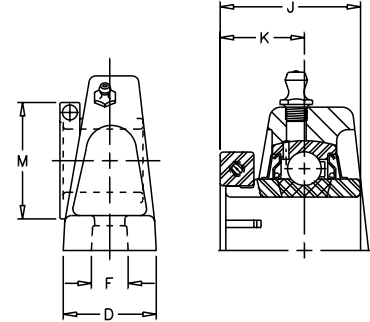
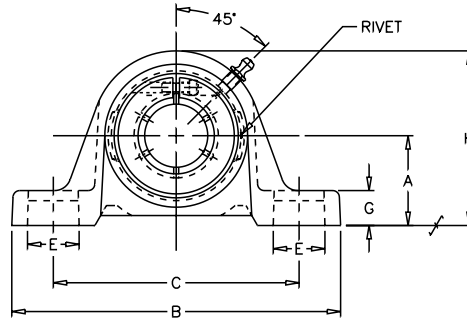
VPB-200

Lock: BOA Concentric
Seal: Contact
Housing: Cast Iron
Temperature: -20°F to 200°F
Self Alignment: ±1.5°
Insert: VB-200
 Dimensions pg 58
 Ratings pg 59

V VALUE & QUALITY
 P PILLOW BLOCK
 B BOA

2 200
 0 NORMAL
 0 DUTY

Bore Size	Fitting
3/4" - 1 1/4" S	1/4" - 28NF
1 1/4" - 2 7/16"	1/8" NPT



SHAFT DIA. IN.	UNIT NO.	BRG. NO.	Dimensions in Inches											BOLT SIZE IN	UNIT WT.	
			A	B	C		D	E	F	G	H	J	K			M
					MIN.	MAX.										
⊗ 3/4	VPB-212	VB-212	1 5/16	5	3 3/8	4 3/16	1 11/32	25/32	7/16	17/32	2 17/32	1 9/32	25/32	1 3/4		1.60
7/8	VPB-214	VB-214														
15/16	VPB-215	VB-215	1 7/16	5 1/2	3 11/16	4 9/16	1 13/32	13/16	7/16	19/32	2 13/16	1 7/16	7/8	1 15/16		1.90
⊗ 1	VPB-216	VB-216														
1 1/8	VPB-218	VB-218														
⊗ 1 3/16	VPB-219	VB-219	1 11/16	6 3/16	4 3/16	5 1/16	1 3/4	15/16	9/16	21/32	3 9/32	1 9/16	15/16	2 3/16		2.90
1 1/4	VPB-220S	VB-220S														
1 1/4	VPB-220	VB-220												2 7/16		
1 3/8	VPB-222	VB-222	1 7/8	6 3/4	4 5/8	5 3/8	1 3/4	7/8	9/16	23/32	3 11/16	1 3/4	1 1/16	2 9/16	1/2	3.80
⊗ 1 7/16	VPB-223	VB-223														
1 1/2	VPB-224	VB-224	2	7 1/8	4 7/8	5 7/8	1 15/16	1	9/16	13/16	4	2	1 1/4	2 11/16	1/2	4.90
1 5/8	VPB-226	VB-226												2 13/16		
⊗ 1 11/16	VPB-227	VB-227	2 1/8	7 3/8	5 1/4	6 1/16	2	29/32	9/16	3/4	4 1/4	2	1 1/4	2 15/16		5.60
1 3/4	VPB-228	VB-228														
⊗ 1 15/16	VPB-231	VB-231	2 1/4	8	5 7/8	6 1/2	2 3/16	15/16	11/16	3/4	4 9/16	2 3/32	1 11/32	3 3/8	5/8	6.20
2	VPB-232	VB-232												3 1/2		
⊗ 2 3/16	VPB-235	VB-235	2 1/2	8 13/16	6 7/16	7 7/16	2 5/16	1	11/16	7/8	4 31/32	2 1/4	1 3/8	3 5/8	5/8	8.00
2 1/4	VPB-236	VB-236												4 1/16		
⊗ 2 7/16	VPB-239	VB-239	2 3/4	9 1/2	6 7/8	7 15/16	2 3/8	1 5/32	11/16	7/8	5 9/16	2 5/8	1 5/8	4 1/8	5/8	10.10

⊗ Air Handling (AH) To order specify AH suffix, i.e. VPS-316 AH (see page 48)

REV 1

CROSS REFERENCE TO COMPETITORS PRODUCTS

REPLACES DODGE P2B-DL	REPLACES MB KC-45/25		
AH REPLACES DODGE P2B-DLAH			

Refer to Interchange Section Page 162 for more detail.

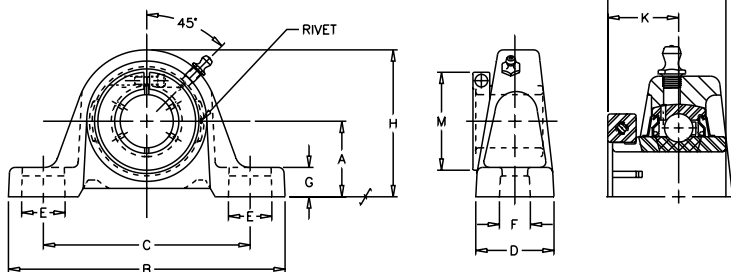
BOA CONCENTRIC

VALUE & QUALITY
V PILLOW BLOCK P
LOW BASE L
BOA B

200 2
NORMAL 0
DUTY 0

VPLB-200

Lock: BOA Concentric
Seal: Contact
Housing: Cast Iron
Temperature: 20°F to 250°F
Self Alignment: ±1.5°
Insert: VB-200
Dimensions pg 58
Ratings pg 59



Bore Size	Fitting
3/4" - 1 1/4" S	1/4" - 28NF
1 1/4" - 2 7/16"	1/8" NPT

SHAFT DIA. IN.	UNIT NO.	BRG. NO.	Dimensions in Inches													BOLT SIZE IN.	UNIT WT.
			A	B	C		D	E	F	G	H	J	K	M			
					MIN.	MAX.											
3/4	VPLB-212	VB-212	1 1/4	5	3 3/8	4 3/16	1 11/32	25/32	7/16	15/32	2 15/32	1 9/32	25/32	1 3/4	3/8	1.4	
7/8	VPLB-214	VB-214															
15/16	VPLB-215	VB-215	1 5/16	5 1/2	3 11/16	4 9/16	1 13/32	13/16	7/16	15/32	2 11/16	1 7/16	7/8	1 15/16	3/8	1.6	
1	VPLB-216	VB-216															
1 1/8	VPLB-218	VB-218															
1 3/16	VPLB-219	VB-219	1 9/16	6 3/16	4 3/16	5 1/16	1 3/4	15/16	9/16	17/32	3 5/32	1 9/16	15/16	2 3/16	1/2	2.6	
1 1/4	VPLB-220S	VB-220S															
1 1/4	VPLB-220	VB-220													2 7/16		
1 3/8	VPLB-222	VB-222	1 13/16	6 3/4	4 5/8	5 3/8	1 3/4	7/8	9/16	21/32	3 5/8	1 3/4	1 1/16	2 9/16	1/2	3.8	
1 7/16	VPLB-223	VB-223															
1 1/2	VPLB-224	VB-224	1 15/16	7 1/8	4 7/8	5 7/8	1 15/16	1	9/16	3/4	3 15/16	2	1 1/4	2 11/16	1/2	4.8	
1 5/8	VPLB-226	VB-226													2 13/16		
1 11/16	VPLB-227	VB-227	2 1/16	7 3/8	5 1/4	6 1/16	2	29/32	9/16	11/16	4 3/16	2	1 1/4	2 15/16	1/2	5.8	
1 3/4	VPLB-228	VB-228															
1 15/16	VPLB-231	VB-231	2 3/16	8	5 7/8	6 1/2	2 3/16	15/16	11/16	11/16	4 1/2	2 3/32	1 11/32	3 3/8	5/8	6.5	
2	VPLB-232S	VB-232S															
2	VPLB-232	VB-232													3 1/2		
2 3/16	VPLB-235	VB-235	2 7/16	8 13/16	6 7/16	7 7/16	2 5/16	1	11/16	13/16	4 29/32	2 1/4	1 3/8	3 5/8	5/8	8.2	
2 1/4	VPLB-236	VB-236															
2 7/16	VPLB-239	VB-239	2 11/16	9 1/2	6 7/8	7 15/16	2 3/8	1 5/32	11/16	13/16	5 1/2	2 5/8	1 5/8	4 1/16	5/8	10.9	
														4 1/8			

REV 0

CROSS REFERENCE TO COMPETITORS PRODUCTS

REPLACES DODGE P2B-DLB	REPLACES MB KCL-45/25		

Refer to Interchange Section Page 162 for more detail.

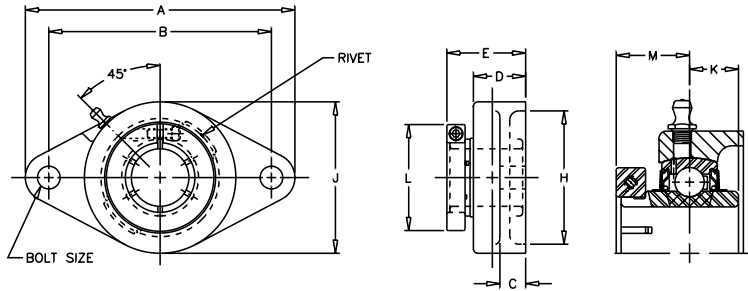
VF2B-200

Lock: BOA Concentric
Seal: Contact
Housing: Cast Iron
Temperature: -20°F to 200°F
Self Alignment: +/-1.5
Inserts: VB-200
 Dimensions pg 58
 Ratings pg 59

V VALUE & QUALITY
 F FLANGE
 2 TWO BOLT
 B BOA

 2 200
 0 NORMAL
 0 DUTY

Bore Size	Fitting
3/4" - 1 1/4" S	1/4" - 28NF
1 1/4" - 2 7/16"	1/8" NPT



SHAFT DIA. IN.	UNIT NO.	BRG. NO.	Dimensions In Inches										BOLT SIZE IN.	UNIT WT.
			A	B	C	D	E	H CORED	J	K	L	M		
3/4	VF2B-212	VB-212	4 13/32	3 17/32	7/16	57/64	1 11/32	2	2 1/2	1/2	1 3/4	25/32	3/8	1.1
7/8	VF2B-214	VB-214												
15/16	VF2B-215	VB-215	4 7/8	3 57/64	1/2	61/64	1 1/2	2 5/16	2 3/4	9/16	1 15/16	7/8	7/16	1.3
1	VF2B-216	VB-216												
1 1/8	VF2B-218	VB-218												
1 3/16	VF2B-219	VE-219	5 9/16	4 19/32	17/32	1 5/64	1 5/8	2 3/4	3 1/8	5/8	2 1/2	15/16	7/16	2.0
1 1/4	VF2B-220S	VB-220S												
1 1/4	VF2B-220	VB-220									2 7/16			
1 3/8	VF2B-222	VB-222	6 1/8	5 1/8	19/32	1 5/32	1 13/16	3 3/16	3 5/8	11/16	2 9/16	1 1/16	1/2	3.0
1 7/16	VF2B-223	VB-223												
1 1/2	VF2B-224	VB-224	6 3/4	5 21/32	5/8	1 19/64	2 5/64	3 1/2	4 1/8	3/4	2 11/16	1 1/4	1/2	3.3
1 5/8	VF2B-226	VB-226									2 13/16			
1 11/16	VF2B-227	VB-227	7 1/16	5 27/32	5/8	1 21/64	2 7/64	3 3/4	4 3/8	3/4	2 15/16	1 1/4	9/16	4.0
1 3/4	VF2B-228	VB-228												
1 15/16	VF2B-231	VB-231	7 7/16	6 3/16	5/8	1 23/64	2 7/32	4	4 9/16	3/4	3 3/8	1 11/32	9/16	4.2
2	VF2B-232S	VB-232S												
2	VF2B-232	VB-232	8 1/2	7 1/4	13/16	1 33/64	2 3/8	4 1/4	5 1/4	7/8	3 1/2	1 3/8	5/8	7.1
2 3/16	VF2B-235	VB-235									3 5/8			

REV 1

CROSS REFERENCE TO COMPETITORS PRODUCTS

REPLACES DODGE F2B-DL	REPLACES MB KFC2-45/25		

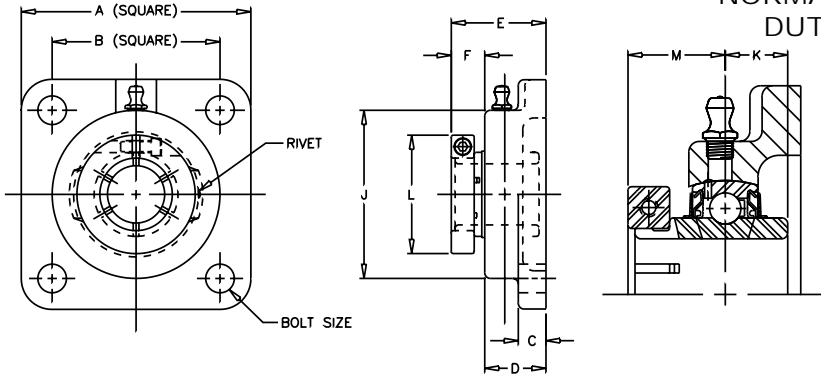
Refer to Interchange Section Page 162 for more detail.

BOA CONCENTRIC

VALUE & QUALITY V
FLANGE F
FOUR BOLT 4
BOA B
200 2
NORMAL 0
DUTY 0

VF4B-200

Lock: BOA Concentric
Seal: Contact
Housing: Cast Iron
Temperature: -20°F to 200°F
Self Alignment: ±1.5°
Inserts: VB-200
Dimensions pg 58
Ratings pg 59



Bore Size	Fitting
3/4" - 1 1/4" S	1/4" - 28NF
1 1/4" - 2 7/16"	1/8" NPT

SHAFT DIA. IN.	UNIT NO.	BRG. NO.	Dimensions In Inches										BOLT SIZE IN.	UNIT WT.
			A	B	C	D	E	F	J	K	L	M		
3/4	VF4B-212	VB-212	3 3/8	2 1/2	7/16	57/64	1 11/32	29/64	2 1/2	1/2	1 3/4	25/32	3/8	1.5
7/8	VF4B-214	VB-214												
15/16	VF4B-215	VB-215	3 3/4	2 3/4	1/2	61/64	1 1/2	35/64	2 3/4	9/16	1 15/16	7/8	7/16	1.8
1	VF4B-216	VB-216												
1 1/8	VF4B-218	VB-218												
1 3/16	VF4B-219	VB-219	4 1/4	3 1/4	17/32	1 5/64	1 5/8	35/64	3 1/8	5/8	2 3/16	15/16	7/16	2.8
1 1/4	VF4B-220S	VB-220S												
1 1/4	VF4B-220	VB-220									2 7/16			
1 3/8	VF4B-222	VB-222	4 5/8	3 5/8	19/32	1 5/32	1 13/16	21/32	3 5/8	11/16	2 9/16	1 1/16	1/2	3.9
1 7/16	VF4B-223	VB-223												
1 1/2	VF4B-224	VB-224	5 1/8	4	5/8	1 19/64	2 5/64	25/32	4 1/8	3/4	2 11/16	1 1/4	1/2	5.2
1 5/8	VF4B-226	VB-226									2 13/16			
1 11/16	VF4B-227	VB-227	5 3/8	4 1/8	5/8	1 21/64	2 7/64	25/32	4 3/8	3/4	2 15/16	1 1/4	9/16	5.5
1 3/4	VF4B-228	VB-228												
1 15/16	VF4B-231	VB-231	5 5/8	4 3/8	5/8	1 23/64	2 7/32	55/64	4 9/16	3/4	3 3/8	1 11/32	9/16	6.2
2	VF4B-232S	VB-232S												
2	VF4B-232	VB-232									3 1/2			
2 3/16	VF4B-235	VB-235	6 3/8	5 1/8	13/16	1 33/64	2 3/8	55/64	5 1/4	7/8	3 5/8	1 3/8	5/8	8.5
2 1/4	VF4B-236	VB-236	6 7/8	5 5/8	13/16	1 11/16	2 3/4	1 1/16	5 7/16	1	4 1/16	1 5/8	5/8	10.8
2 7/16	VF4B-239	VB-239									4 1/8			

REV 0

CROSS REFERENCE TO COMPETITORS PRODUCTS

REPLACES DODGE F4B-DL	REPLACES MB KFC4-45/25		

Refer to Interchange Section Page 162 for more detail.



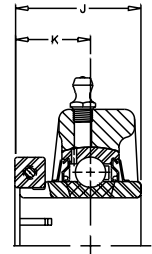
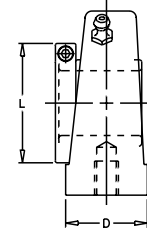
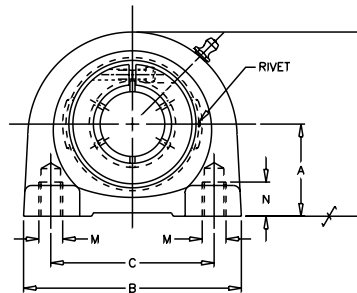
VTBB-200

Lock: BOA Concentric
Seal: Contact
Housing: Cast Iron
Temperature: -20°F to 200°F
Self Alignment: ±1.5°
Inserts: VB-200
 Dimensions pg 58
 Ratings pg 59

V VALUE & QUALITY
 T TAPPED
 B BASE
 B BOA

 2 200
 O NORMAL
 O DUTY

Bore Size	Fitting
3/4" - 1 1/4" S	1/4" - 28NF
1 1/4" - 2 7/16"	1/8" NPT



SHAFT DIA. IN.	UNIT NO.	BRG. NO.	Dimensions In Inches								M BOLT HOLES UNC- THREAD	N MIN TAP DEPTH	UNIT WT.	
			A	B	C	D	H	J	K	L				
3/4	VTBB-212	VB-212	1 5/16	2 7/8	2	1 1/2	2 9/16	1 9/32	25/32	1 3/4	3/8-16	1/2	1.7	
7/8	VTBB-214	VB-214	1 7/16	3	2	1 1/2	2 13/16	1 7/16	7/8	1 15/16	3/8-16	1/2	1.8	
15/16	VTBB-215	VB-215												
1	VTBB-216	VB-216	1 11/16	4	3	1 1/2	3 3/8	1 9/16	15/16	2 3/16	7/16-14	5/8	2.8	
1 1/8	VTBB-218	VB-218												
1 3/16	VTBB-219	VB-219												
1 1/4	VTBB-220S	VB-220S	1 7/8	4 1/4	3 1/4	1 7/8	3 3/4	1 3/4	1 1/16	2 7/16	1/2-13	3/4	4	
1 1/4	VTBB-220	VB-220								2 9/16				
1 3/8	VTBB-222	VB-222												
1 7/16	VTBB-223	VB-223												
1 1/2	VTBB-224	VB-224	1 15/16	4 5/8	3 1/2	1 7/8	3 15/16	2	1 1/4	2 11/16	1/2-13	3/4	4.5	
1 5/8	VTBB-226	VB-226												2 13/16
1 11/16	VTBB-227	VB-227												2 15/16
1 3/4	VTBB-228	VB-228												
1 15/16	VTBB-231	VB-231												1 11/32
2	VTBB-232S	VB-232S	2 1/4	5 1/2	4	2	4 5/8	2 3/32	1 11/32					

REV 0

CROSS REFERENCE TO COMPETITORS PRODUCTS

REPLACES DODGE TB-DL			

Refer to Interchange Section Page 162 for more detail.

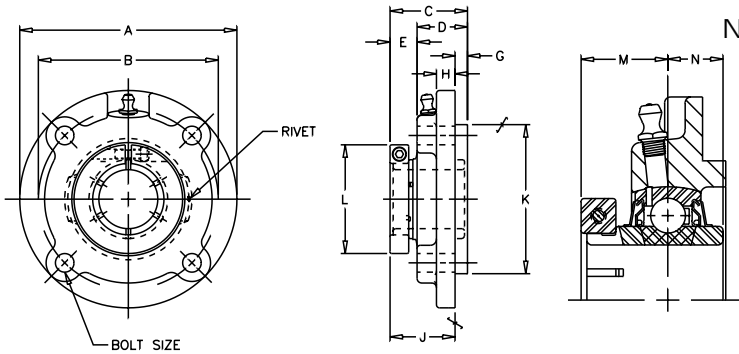
BOA CONCENTRIC

VALUE & QUALITY V
FLANGE F
CARTRIDGE C
BOA B

VFCB-200

Lock: BOA Concentric
Seal: Contact
Housing: Cast Iron
Temperature: -20°F to 200°F
Self Alignment: ±1.5°
Inserts: VB-200
Dimensions pg 58
Ratings pg 59

200 2
NORMAL 0
DUTY 0



Bore Size	Fitting
1/8" - 2 3/16"	1/4" - 28NF
2 1/4" - 2 7/16"	1/8" NPT

SHAFT DIA. IN.	UNIT NO.	BRG.	Dimensions In Inches											BOLT SIZE IN.	UNIT WT.	
			A	B	C	D	E	G	H	J	K*	L	M			N
1 1/8	VFCB-218	VB-218	4 3/8	3 5/8	1 9/16	1 1/64	35/64	1/4	3/8	1 5/16	3	2 3/16	15/16	5/8	5/16	2.6
1 3/16	VFCB-219	VB-219														
1 1/4	VFCB-220	VB-220										2 7/16				
1 3/8	VFCB-222	VB-222	5	4 1/8	1 3/4	1 3/32	21/32	3/8	3/8	1 3/8	3 3/8	2 9/16	1 1/16	11/16	3/8	3.5
1 7/16	VFCB-223	VB-223														
1 1/2	VFCB-224	VB-224	5 1/4	4 3/8	2	1 7/32	25/32	7/16	3/8	1 9/16	3 5/8	2 11/16	1 1/4	3/4	3/8	3.9
1 5/8	VFCB-226	VB-226										2 13/16				
1 11/16	VFCB-227	VB-227	6 1/8	5 1/8	2	1 7/32	25/32	7/16	3/8	1 9/16	4 1/4	2 15/16	1 1/4	3/4	7/16	5.2
1 3/4	VFCB-228	VB-228														
1 15/16	VFCB-231	VB-231	6 1/8	5 1/8	2 1/8	1 17/64	55/64	15/32	3/8	1 21/32	4 1/4	3 3/8	1 11/32	3/4	7/16	6.3
2	VFCB-232S	VB-232S														
2	VFCB-232	VB-232	6 3/8	5 3/8	2 17/64	1 13/32	55/64	5/8	3/8	1 41/64	4 1/2	3 1/2	1 3/8	7/8	7/16	6.6
2 3/16	VFCB-235	VB-235										3 5/8				
2 1/4	VFCB-236	VB-236	7 1/8	6	2 15/16	1 7/8	1 1/16	7/8	1/2	2 1/16	5	4 1/16	1 5/8	1	1/2	8.3
2 7/16	VFCB-239	VB-239										4 1/8				

*Tolerance ±.001"

REV 4

CROSS REFERENCE TO COMPETITORS PRODUCTS

REPLACES DODGE TB-DL			

Refer to Interchange Section Page 162 for more detail.



VB-200

Lock: BOA Concentric
Seal: Contact
Temperature: -20°F to 200°F
Ratings: Page 59

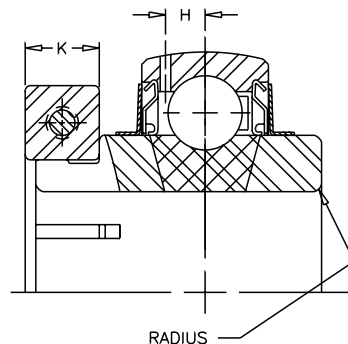
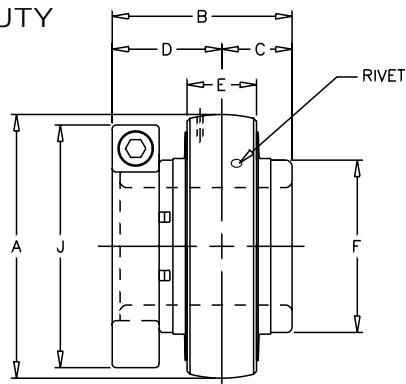
V VALUE & QUALITY

B BOA

2 200

0 NORMAL

0 DUTY



SHAFT DIA. IN.	BRG. NO.	Dimensions In Inches										TORX CAP SCREW	UNIT WT.
		A	B	C	D	E	F	G	H	J	RADIUS		
3/4	VB-212	47MM 1.8504	1 9/32	1/2	25/32	19/32	1 3/16	3/8	9/64	1 3/4	.040	8-32 X 5/8	.5
7/8	VB-214	52MM 2.0472	1 7/16	9/16	7/8	19/32	1 3/8	3/8	11/64	1 15/16	.040	8-32 X 5/8	.8
15/16	VB-215												
1	VB-216												
1 1/8	VB-218	62MM 2.4406	1 9/16	5/8	15/16	45/64	1 19/32	3/8	7/32	2 3/16	.040	8-32 X 5/8	1.1
1 3/16	VB-219												
1 1/4	VB-220S												
1 1/4	VB-220	72MM 2.8343	1 3/4	11/16	1 1/16	3/4	1 55/64	7/16	1/4	2 7/16	.040	10-24 X 3/4	1.5
1 3/8	VB-222									2 9/16			
1 7/16	VB-223												
1 1/2	VB-224	80MM 3.1493	2	3/4	1 1/4	7/8	2 1/16	7/16	19/64	2 11/16	.062	10-24 X 3/4	1.8
1 5/8	VB-226	85MM 3.3461	2	3/4	1 1/4	7/8	2 19/64	7/16	19/64	2 13/16	.062	10-24 X 3/4	1.9
1 11/16	VB-227									2 15/16			
1 3/4	VB-228												
1 15/16	VB-231	90MM 3.5429	2 3/32	3/4	1 11/32	29/32	2 15/32	9/16	17/64	3 3/8	.062	1/4-20 X 1	2.4
2	VB-232	100MM 3.9366	2 1/4	7/8	1 3/8	63/64	2 23/32	9/16	19/64	3 1/2	.080	1/4-20 X 1	2.9
2 3/16	VB-235									3 5/8			
2 1/4	VB-236	110MM 4.3303	2 5/8	1	1 5/8	1 1/16	2 63/64	11/16	21/64	4 1/16	.080	5/16 -18 X 1	4.3
2 7/16	VB-239									4 1/8			

REV 1

CROSS REFERENCE TO COMPETITORS PRODUCTS

For insert interchange information, contact EPT Mounted Bearing Technical Support.

See page 256 for contact information.



200 SERIES RATINGS

This chart displays 200 series ball bearings' load capacity for a given L10 life, speed, and shaft size. Values in the table represent loads at ideal conditions with press fit mounting to the shaft. ABMA recommends de-rating of slip fit mounted bearings. To obtain de-rated load, divide load in table by 1.3. Values in the table represent equivalent radial loads only. For combined load determination, see **THE BEARING SELECTION SECTION**, page 262. Areas designated by “-” exceed maximum speed value for standard bearings.

Match Bore Size

SHAFT SIZES 200 Dia. Inches	L10 HOURS	REVOLUTIONS PER MINUTE																	
		50	150	250	500	750	1000	1500	1750	2000	2500	3000	3500	4000	4500	5000	5500	6500	7500
1/2 5/8	5000	500	500	500	397	347	315	275	261	250	232	218	207	198	191	184	178	169	161
	10000	500	470	397	315	275	250	218	207	198	184	173	165	157	151	146	142	134	128
	30000	470	326	275	218	191	173	151	144	138	128	120	114	109	105	101	98	93	89
	50000	397	275	232	184	161	146	128	121	116	108	101	96	92	89	85	83	78	75
	100000	315	218	184	146	128	116	101	96	92	85	80	76	73	70	68	66	62	59
3/4	5000	619	619	619	491	429	390	341	324	310	287	270	257	246	236	228	221	209	
	10000	583	583	491	390	341	310	270	257	246	228	215	204	195	188	181	175	166	
	30000	583	404	341	270	236	215	188	178	170	158	149	141	135	130	126	122	115	
	50000	491	341	287	228	199	181	158	150	144	133	126	119	114	110	106	103	97	
	100000	390	270	228	181	158	144	126	119	114	106	100	95	91	87	84	81	77	
7/8 15/16 1	5000	664	664	664	527	461	418	366	347	332	308	290	276	264	253	245	237		
	10000	625	625	527	418	366	332	290	276	264	245	230	219	209	201	194	188		
	30000	625	433	366	290	253	230	201	191	183	170	160	152	145	139	135	130		
	50000	527	366	308	245	214	194	170	161	154	143	135	128	122	118	114	110		
	100000	418	290	245	194	170	154	135	128	122	114	107	102	97	93	90	87		
1 1/8 1 3/16 1 1/4	5000	1039	1039	1039	825	720	654	572	543	519	482	454	431	412	396				
	10000	978	978	825	654	572	519	454	431	412	383	360	342	327	315				
	30000	978	678	572	454	396	390	315	299	286	265	250	237	227	218				
	50000	825	572	482	383	334	304	265	252	241	224	211	200	191	184				
	100000	654	454	383	304	265	241	211	200	191	178	167	159	152	146				
1 1/4 1 3/8 1 7/16	5000	1290	1290	1290	1088	951	864	755	717	686	636	599	569	544	544				
	10000	1290	1290	1088	864	755	686	599	569	544	505	475	452	432					
	30000	1290	895	755	599	523	475	415	394	377	350	330	313	299					
	50000	1088	755	636	505	441	401	350	333	318	295	278	264	253					
	100000	864	599	505	401	350	318	278	264	253	234	221	210	200					
1 1/2	5000	1638	1638	1638	1381	1207	1096	958	910	870	808	760	722						
	10000	1638	1638	1381	1096	958	870	760	722	691	641	603	573						
	30000	1638	1136	958	760	664	603	527	501	479	445	418	397						
	50000	1381	958	808	641	560	509	445	422	404	375	353	335						
	100000	1096	760	641	509	445	404	353	335	321	298	280	266						
1 5/8 1 11/16 1 3/4	5000	1763	1763	1763	1487	1299	1180	1031	979	937	870	818							
	10000	1763	1763	1487	1180	1031	937	818	777	744	690	650							
	30000	1763	1222	1031	818	715	650	567	539	516	479	450							
	50000	1487	1031	870	690	603	548	479	455	435	404	380							
	100000	1180	818	690	548	479	435	380	361	345	320	301							
1 15/16 2	5000	1760	1760	1760	1485	1297	1178	1029	978	935	868	817							
	10000	1760	1760	1485	1178	1029	935	817	7769	742	689	649							
	30000	1760	1221	1029	817	714	649	567	538	515	478	450							
	50000	1485	1029	868	689	602	547	478	454	434	403	379							
	100000	1178	817	689	547	478	434	379	360	345	320	301							
2 2 3/16	5000	2176	2176	2176	1835	1603	1457	1273	1209	1156	1073								
	10000	2176	2176	1835	1457	1273	1156	1010	959	918	852								
	30000	2176	1509	1273	1010	882	802	700	665	636	591								
	50000	1835	1273	1073	852	744	676	591	561	537	498								
	100000	1457	1010	852	676	591	537	469	445	426	395								
2 1/4 2 7/16	5000	2631	2631	2631	2219	1938	1761	1538	1461	1398	1298								
	10000	2631	2631	2219	1761	1538	1398	1221	1160	1109	1030								
	30000	2631	1824	1538	1221	1067	969	847	804	769	714								
	50000	2219	1538	1298	1030	900	817	714	678	649	602								
	100000	1761	1221	1030	817	714	649	567	538	515	478								
2 11/16	5000	3118	3118	3118	2629	2297	2087	1823	1732	1656									
	10000	3118	3118	2629	2087	1823	1656	1447	1375	1315									
	30000	3118	2162	1823	1447	1264	1149	1003	953	912									
	50000	2629	1823	1538	1220	1066	969	846	804	769									
	100000	2087	1447	1220	969	846	769	672	638	610									
2 15/16	5000	3311	3311	3311	2793	2440	2217	1936	1839	1759									
	10000	3311	3311	2793	2217	1936	1759	1537	1460	1396									
	30000	3311	2296	1936	1537	1343	1220	1066	1012	968									
	50000	2793	1936	1633	1296	1332	1029	899	854	817									
	100000	2217	1537	1296	1029	899	817	713	678	648									

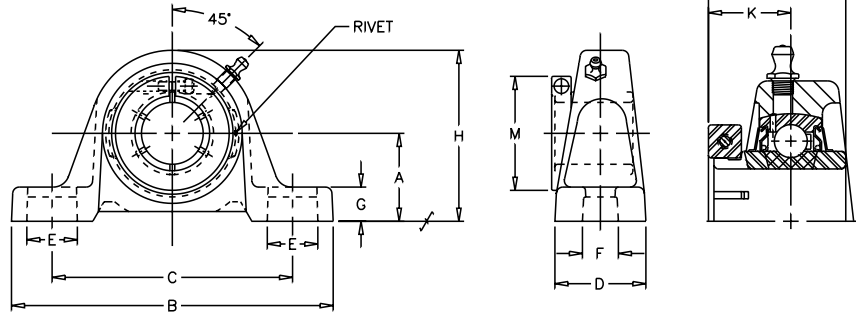
VPB-300

Lock: BOA Concentric
Seal: Contact
Housing: Cast Iron
Temperature: -20°F to 200°F
Self Alignment: ±1.5°
Inserts: VB-200
 Dimensions pg 64
 Ratings pg 65

V VALUE & QUALITY
 P PILLOW BLOCK
 B BOA

3 300
 O MEDIUM
 O DUTY

Bore Size	Fitting
1"	1/4" - 28NF
1 3/16" - 2 3/16"	1/8" NPT



SHAFT DIA. IN.	UNIT NO.	BRG. NO.	Dimensions in Inches													BOLT SIZE IN	UNIT WT.
			A	B	C		D	E	F	G	H	J	K	M			
1	VPB-316	VB-316	1 3/4	6 3/16	4 3/16	5 1/16	1 3/4	15/16	9/16	23/32	3 11/32	1 9/16	15/16	2 1/16	1/2	3.1	
1 3/16	VPB-319	VB-319	1 7/8	6 3/4	4 5/8	5 3/8	1 3/4	7/8	9/16	23/32	3 11/16	1 3/4	1 1/16	2 7/16		3.1	
1 1/4	VPB-320	VB-220															
1 7/16	VPB-323	VB-323	2 1/8	7 1/4	5 1/8	5 15/16	2	29/32	9/16	13/16	4 3/16	2	1 1/4	2 11/16	1/2	3.9	
1 1/2	VPB-324	VB-324	2 5/16	7 13/16	5 19/32	6 11/32	2 3/16	1	11/16	13/16	4 9/16	2	1 1/4	2 13/16	1/2	4.8	
1 11/16	VPB-327	VB-327	2 5/16	7 15/16	5 3/4	6 1/2	2 1/4	1	11/16	13/16	4 5/8	2 3/32	1 11/32	3 1/4		5.8	
1 3/4	VPB-328	VB-328															
1 15/16	VPB-331	VB-331	2 1/2	8 13/16	6 7/16	7 7/16	2 5/16	1	11/16	7/8	4 31/32	2 1/4	1 3/8	3 1/2		8.1	
2	VPB-332	VB-232															
2 3/16	VPB-335	VB-335	2 3/4	9 1/2	6 7/8	7 15/16	2 3/8	1-5/32	11/16	7/8	5 9/16	2 5/8	1 5/8	4 1/16		10.4	

⊗ Air Handling (AH) To order specify AH suffix, i.e. VF2S-316 AH (See page 48)

REV 2

CROSS REFERENCE TO COMPETITORS PRODUCTS

REPLACES DODGE P2B-DLM	REPLACES MB KC-55/35		

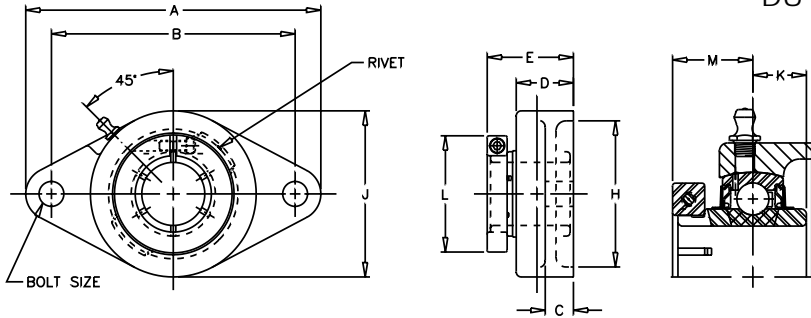
Refer to Interchange Section Page 162 for more detail.



VALUE & QUALITY V
FLANGE F
TWO BOLT 2
BOA B
300 3
MEDIUM 0
DUTY 0

VF2B-300

Lock: BOA Concentric
Seal: Contact
Housing: Cast Iron
Temperature: -20°F to 200°F
Self Alignment: ±1.5°
Inserts: VB-300
Dimensions pg 64
Ratings pg 65



Bore Size	Fitting
1"	1/4" - 28NF
1 3/16" - 2"	1/8" NPT

SHAFT DIA. IN.	UNIT NO.	BRG. NO.	Dimensions In Inches										BOLT SIZE IN.	UNIT WT.
			A	B	C	D	E	H CORED	J	K	L	M		
1	VF2B-316	VB-316	5 9/16	4 19/32	17/32	1 5/64	1 5/8	2 3/4	3 1/8	5/8	2 1/16	15/16	7/16	2.0
1 3/16	VF2B-319	VB-319	6 1/8	5 1/8	19/32	1 5/32	1 13/16	3 3/16	3 5/8	11/16	2 7/16	1 1/16	1/2	3.0
1 1/4	VF2B-320	VB-220												
1 7/16	VF2B-323	VB-323	6 3/4	5 21/32	5/8	1 19/64	2 5/64	3 1/2	4 1/8	3/4	2 11/16	1 1/4	1/2	3.3
1 1/2	VF2B-324	VB-324	7 1/16	5 27/32	5/8	1 21/64	2 7/64	3 3/4	4 3/8	3/4	2 13/16	1 1/4	9/16	4.0
1 11/16	VF2B-327	VB-327	7 7/16	6 3/16	5/8	1 23/64	2 7/32	4	4 9/16	3/4	3 1/4	1 11/32	9/16	5.2
1 3/4	VF2B-328	VB-328												
1 15/16	VF2B-331	VB-331	8 1/2	7 1/4	13/16	1 33/64	2 3/8	4 1/4	5 1/4	7/8	3 1/2	1 3/8	5/8	7.1
2	VF2B-332	VB-232												

REV 1

CROSS REFERENCE TO COMPETITORS PRODUCTS

REPLACES DODGE F2B-DLM	REPLACES MB KFC2-55/35		

Refer to Interchange Section Page 162 for more detail.



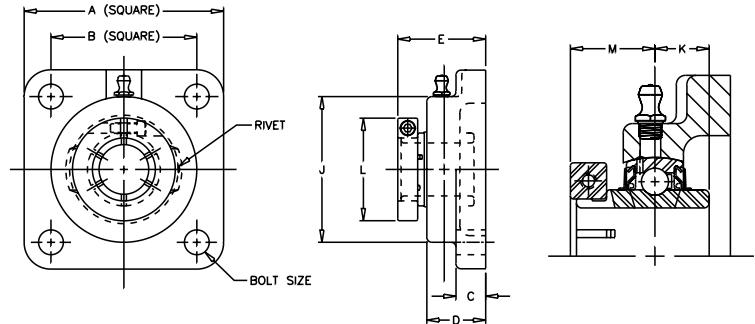
VF4B-300

Lock: BOA Concentric
Seal: Contact
Housing: Cast Iron
Temperature: -20°F to 200°F
Self Alignment: ±1.5°
Inserts: VB-300
 Dimensions pg 64
 Ratings pg 65

V VALUE & QUALITY
 F FLANGE
 4 FOUR BOLT
 B BOA

 3 300
 O MEDIUM
 O DUTY

Bore Size	Fitting
1"	1/4" - 28NF
1 3/16" - 2 3/16"	1/8" NPT



SHAFT DIA. IN.	UNIT NO.	BRG. NO.	Dimensions In Inches									BOLT SIZE IN.	UNIT WT.
			A	B	C	D	E	J	K	L	M		
1	VF4B-316	VB-316	4 1/4	3 1/4	17/32	1 5/64	1 5/8	3 1/8	5/8	2 1/16	15/16	7/16	3.0
1 3/16	VF4B-319	VB-319	4 5/8	3 5/8	19/32	1 5/32	1 13/16	3 5/8	11/16	2 7/16	1 1/16	1/2	3.0
1 1/4	VF4B-320	VB-220											
1 7/16	VF4B-323	VB-323	5 1/8	4	5/8	1 19/64	2 5/64	4 1/8	3/4	2 11/16	1 1/4	1/2	5.1
1 1/2	VF4B-324	VB-324	5 3/8	4 1/8	5/8	1 21/64	2 7/64	4 3/8	3/4	2 13/16	1 1/4	9/16	5.1
1 11/16	VF4B-327	VB-327	5 5/8	4 3/8	5/8	1 23/64	2 7/32	4 9/16	3/4	3 1/4	1 11/32	9/16	5.9
1 3/4	VF4B-328	VB-328											
1 15/16	VF4B-331	VB-331	6 3/8	5 1/8	13/16	1 33/64	2 3/8	5 1/4	7/8	3 1/2	1 3/8	5/8	8.2
2	VF4B-332	VB-232											
2 3/16	VF4B-335	VB-335	6 7/8	5 5/8	13/16	1 11/16	2 3/4	5 7/16	1	4 1/16	1 5/8	5/8	10.2

REV 1

CROSS REFERENCE TO COMPETITORS PRODUCTS

REPLACES DODGE F4B-DLM	REPLACES MB KFC4-55/35		

Refer to Interchange Section Page 162 for more detail.

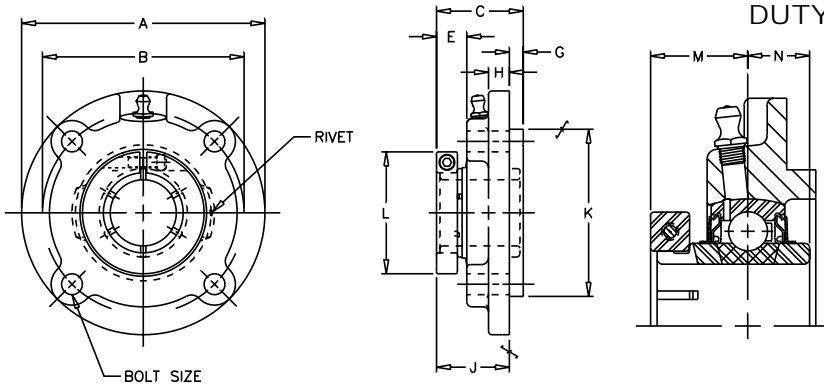


VALUE & QUALITY V
FLANGE F
CARTRIDGE C
BOA B

300 3
MEDIUM 0
DUTY 0

VFCB-300

Lock: BOA Concentric
Seal: Contact
Housing: Cast Iron
Temperature: -20°F to 200°F
Self Alignment: ±1.5°
Inserts: VB-300
Dimensions pg 64
Rating pg 65



Bore Size	Fitting
1"	1/4" - 28NF
1 3/16" - 2 3/16"	1/8" NPT

SHAFT DIA. IN.	UNIT NO.	BRG.	Dimensions In Inches											BOLT SIZE IN.	UNIT WT
			A	B	C	E	G	H	J	K*	L	M	N		
1	VFCB-316	VB-316	4 3/8	3 5/8	1 9/16	35/64	1/4	3/8	1 5/16	3	2 1/16	15/16	5/8	3/8	2.7
1 3/16	VFCB-319	VB-319	5	4 1/8	1 3/4	21/32	3/8	3/8	1 3/8	3 3/8	2 7/16	1 1/16	11/16	3/8	3.7
1 1/4	VFCB-320	VB-220													
1 7/16	VFCB-323	VB-323	5 1/4	4 3/8	2	25/32	7/16	3/8	1 9/16	3 5/8	2 11/16	1 1/4	3/4	3/8	4.2
1 1/2	VFCB-324	VB-324	6 1/8	5 1/8	2	25/32	7/16	3/8	1 9/16	4 1/4	2 13/16	1 1/4	3/4	7/16	5.8
1 11/16	VFCB-327	VB-327	6 1/8	5 1/8	2 1/8	55/64	15/32	3/8	1 21/32	4 1/4	3 1/4	1 11/32	3/4	7/16	6.8
1 3/4	VFCB-328	VB-328													
1 15/16	VFCB-331	VB-331	6 3/8	5 3/8	2 17/64	55/64	5/8	3/8	1 41/64	4 1/2	3 1/2	1 3/8	7/8	7/16	7.1
2	VFCB-332	VB-232													
2 3/16	VFCB-335	VB-335	7 1/8	6	2 15/16	1 1/16	7/8	1/2	2 1/16	5	4 1/16	1 5/8	1	1/2	7.7

*Tolerance ±.001"

REV 1

CROSS REFERENCE TO COMPETITORS PRODUCTS

REPLACES DODGE FC-DLM			

Refer to Interchange Section Page 162 for more detail.

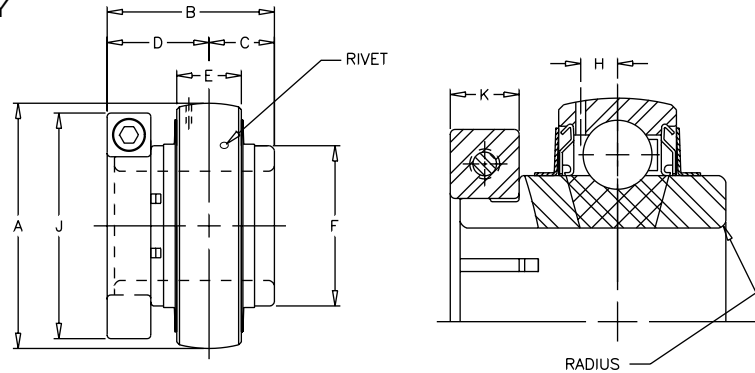


VB-300

Lock: BOA Concentric
Seal: Contact
Temperature: -20°F to 200°F
Ratings: Page 65

V VALUE & QUALITY
 B BOA

3 300
 0 MEDIUM
 0 DUTY



SHAFT DIA. IN.	BRG. NO.	Dimensions In Inches										TORX CAP SCREW	UNIT WT.
		A	B	C	D	E	F	H	J	K	RADIUS		
1	VB-316	62MM 2.4409	1 9/16	5/8	15/16	45/64	1 19/32	13/64	2 1/16	3/8	.040	8-32 X 5/8	1.1
1 3/16	VB-319	72MM 2.8346	1 3/4	11/16	1 1/16	3/4	1 55/64	15/64	2 7/16	7/16	.040	10-24 X 3/4	1.7
1 7/16	VB-323	80MM 3.1496	2	3/4	1 1/4	55/64	2 1/16	17/64	2 11/16	7/16	.062	10-24 X 3/4	2.1
1 1/2	VB-324	85MM 3.3465	2	3/4	1 1/4	55/64	2 19/64	17/64	2 13/16	7/16	.062	10-24 X 3/4	2.4
1 11/16 1 3/4	VB-327 VB-328	90MM 3.5433	2 3/32	3/4	1 11/32	29/32	2 15/32	9/32	3 1/4	9/16	.062	1/4-20 X 1	2.8
1 15/16	VB-331	100MM 3.9370	2 1/4	7/8	1 3/8	63/64	2 23/32	5/16	3 1/2	9/16	.080	1/4-20 X 1	3.4
2 3/16	VB-335	110MM 4.3307	2 5/8	1	1 5/8	1 1/16	2 63/64	11/32	4 1/16	11/16	.080	5/-16-18 x 1	4.7

REV 2

CROSS REFERENCE TO COMPETITORS PRODUCTS

For insert interchange information, contact EPT Mounted Bearing Technical Support.

See page 256 for contact information.



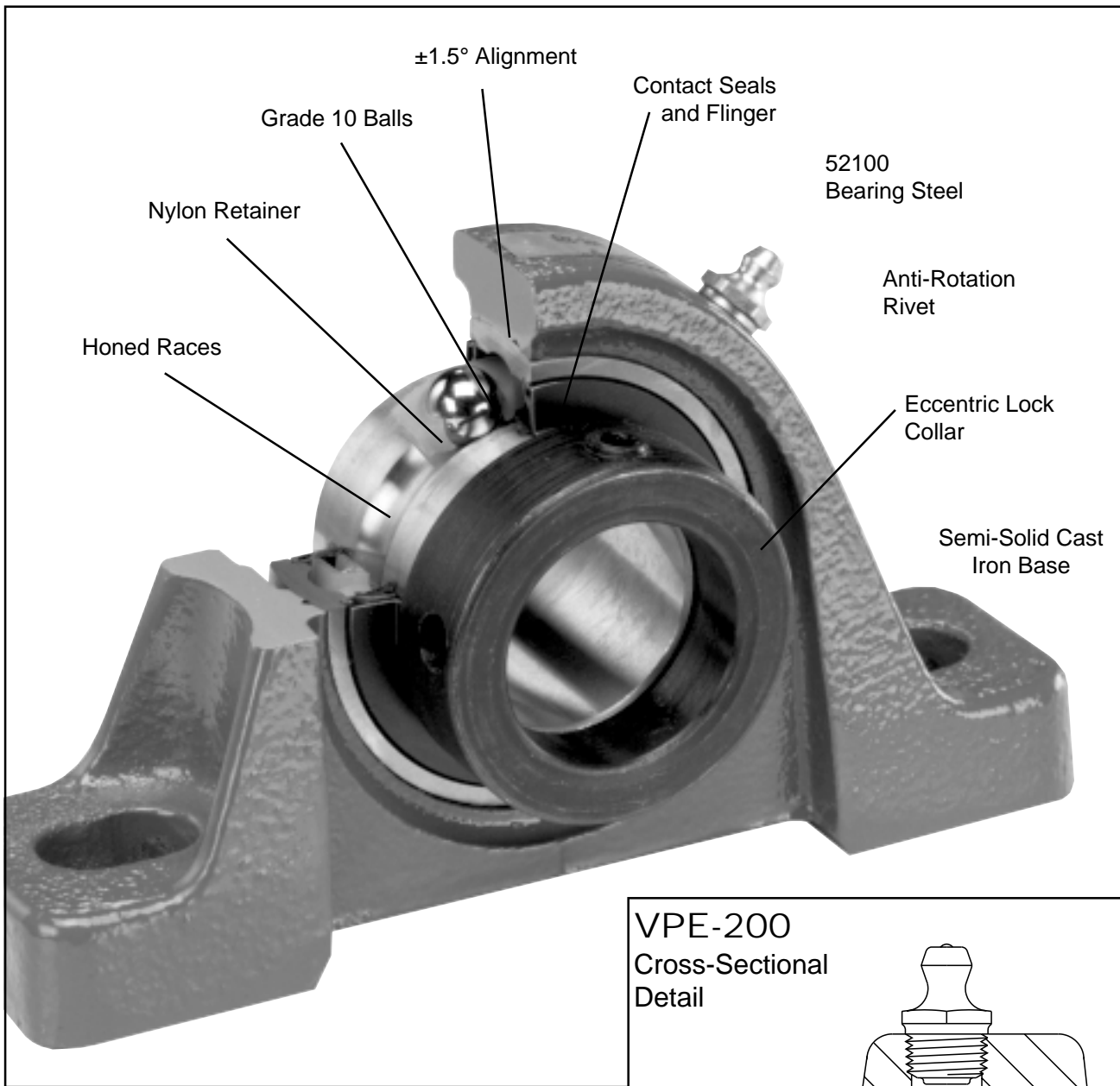
300 SERIES RATINGS

This chart displays 300 series ball bearings' load capacity for a given L10 life, speed, and shaft size. Values in the table represent loads at ideal conditions with press fit mounting to the shaft. ABMA recommends de-rating of slip fit mounted bearings. To obtain de-rated load, divide load in table by 1.3. Values in the table represent equivalent radial loads only. For combined load determination, see **THE BEARING SELECTION SECTION**, page 262. Areas designated by “-” exceed maximum speed values.

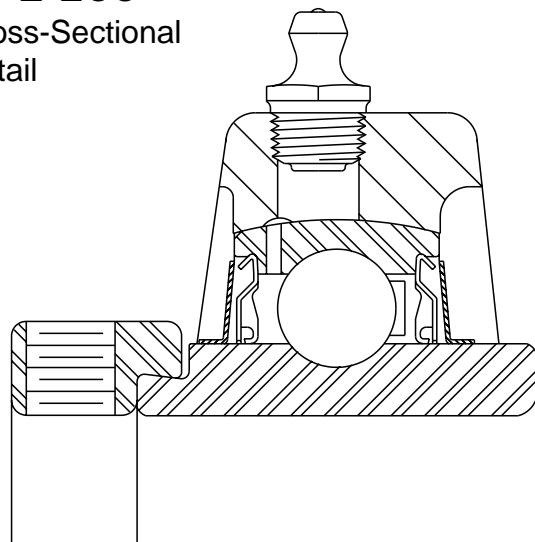
Match Bore Size

SHAFT SIZES 300 Dia. Inches	L10 HOURS	REVOLUTIONS PER MINUTE																		
		50	150	250	500	750	1000	1500	1750	2000	2500	3000	3500	4000	4500	5000	5500	6500	7500	
1 3/16	5000	1290	1290	1290	1088	951	864	755	717	686	636	599	569	544						
	10000	1290	1290	1088	864	755	686	599	569	544	505	475	452	432						
	30000	1290	895	755	599	523	475	415	394	377	350	330	313	299						
	50000	1088	755	636	505	441	401	350	333	318	295	278	264	253						
	100000	864	599	505	401	350	318	278	264	253	234	221	210	200						
1 7/16	5000	1638	1638	1638	1381	1207	1096	958	910	870	808	760	722							
	10000	1638	1638	1381	1096	958	870	760	722	691	641	603	573							
	30000	1638	1136	958	760	664	603	527	501	479	445	418	397							
	50000	1381	958	808	641	560	509	445	422	404	375	353	335							
	100000	1096	760	641	509	445	404	353	335	321	298	280	266							
1 1/2	5000	1763	1763	1763	1487	1299	1180	1031	979	937	870	818								
	10000	1763	1763	1487	1180	1031	937	818	777	744	690	650								
	30000	1763	1222	1031	818	715	650	567	539	516	479	450								
	50000	1487	1031	870	690	603	548	479	455	435	404	380								
	100000	1180	818	690	548	479	435	380	361	345	320	301								
1 11/16	5000	1760	1760	1760	1485	1297	1178	1029	978	935	868	817								
	10000	1760	1760	1485	1178	1029	935	817	7769	742	689	649								
	30000	1760	1221	1029	817	714	649	567	538	515	478	450								
	50000	1485	1029	868	689	602	547	478	454	434	403	379								
	100000	1178	817	689	547	478	434	379	360	345	320	301								
1 15/16	5000	2176	2176	2176	1835	1603	1457	1273	1209	1156	1073									
	10000	2176	2176	1835	1457	1273	1156	1010	959	918	852									
	30000	2176	1509	1273	1010	882	802	700	665	636	591									
	50000	1835	1273	1073	852	744	676	591	561	537	498									
	100000	1457	1010	852	676	591	537	469	445	426	395									
2 3/16	5000	2631	2631	2631	2219	1938	1761	1538	1461	1398	1298									
	10000	2631	2631	2219	1761	1538	1398	1221	1160	1109	1030									
	30000	2631	1824	1538	1221	1067	969	847	804	769	714									
	50000	2219	1538	1298	1030	900	817	714	678	649	602									
	100000	1761	1221	1030	817	714	649	567	538	515	478									
2 7/16	5000	3118	3118	3118	2629	2297	2087	1823	1732	1656										
	10000	3118	3118	2629	2087	1823	1656	1447	1375	1315										
	30000	3118	2162	1823	1447	1264	1149	1003	953	912										
	50000	2629	1823	1538	1220	1066	969	846	804	769										
	100000	2087	1447	1220	969	846	769	672	638	610										
2 11/16	5000	3311	3311	3311	2793	2440	2217	1936	1839	1759										
	10000	3311	3311	2793	2217	1936	1759	1537	1460	1396										
	30000	3311	2296	1936	1537	1343	1220	1066	1012	968										
	50000	2793	1936	1633	1296	1332	1029	899	854	817										
	100000	2217	1537	1296	1029	899	817	713	678	648										
2 15/16	5000	3885	3885	3885	3277	2863	2601	2272	2158	2064										
	10000	3885	3885	3277	2601	2272	2064	1803	1713	1639										
	30000	3885	2694	2272	1803	1575	1431	1250	1188	1136										
	50000	3277	2272	1916	1521	1329	1207	1055	1002	958										
	100000	2601	1803	1521	1207	1055	958	837	795	761										
3 7/16	5000	4812	4812	4812	4059	3546	3222	2814	2673											
	10000	4812	4812	4059	3222	2814	2557	2234	2122											
	30000	4812	3337	2814	2234	1951	1773	1549	1471											
	50000	4059	2814	2374	1884	1646	1495	1306	1241											
	100000	3222	2234	1884	1495	1306	1187	1037	985											
3 15/16	5000	6673	6673	6673	5628	4917	4467	3902												
	10000	6673	6673	5628	4467	3902	3546	3097												
	30000	6673	4627	3902	3097	2706	2458	2148												
	50000	5628	3902	3291	2612	2282	2074	1811												
	100000	4467	3097	2612	2074	1811	1646	1438												

Browning® Ball Bearings



VPE-200
Cross-Sectional
Detail

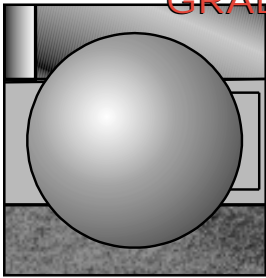


BROWNING ECCENTRIC BALL BEARINGS FEATURES/BENEFITS

BROWNING ECCENTRIC BALL BEARINGS

FEATURES/BENEFITS

GRADE 10 BALLS



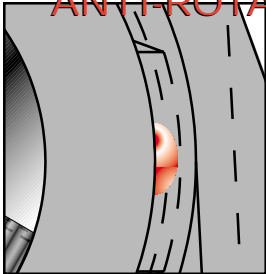
For quieter operation and less vibration. Manufactured with high quality 52100 steel.

ECCENTRIC COLLAR



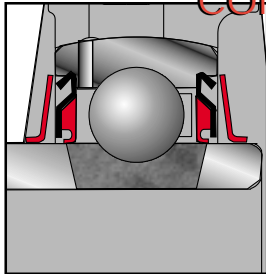
The Browning Ball Bearing incorporates a precision Eccentric Locking collar to mate with the inner ring for shaft hold.

ANTI-ROTATION RIVET



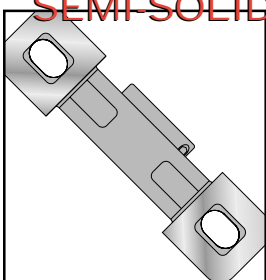
An anti-rotation rivet prevents outer ring creep or rotation within the housing. This reduces heat build up and prolongs useful bearing life.

CONTACT SEAL



Positive contact molded rubber lip with an auxiliary flinger for proven effective sealing against contaminants.

SEMI-SOLID CAST IRON BASE



The rugged base design provides an excellent mounting foundation. This is integral to prevent sheet metal "Buckling."

PRECISION HARDENED AND HONED RINGS

Inner rings are through hardened to maintain ballpath and the extension hardness for a precision collar/bearing to shaft hold. Both ballpaths are honed for quieter operating and less vibration. See cross sectional detail – left.

SERIES

Eccentric Ball Bearings are segmented into two series ranging from intermediate duty for lightly loaded applications to Normal Duty for heavier loads.

100 = Intermediate and Light Duty

200 = Normal Duty

RELATED PRODUCTS

Nickel Plated NK Housings are offered for corrosion resistance and can be specified by attaching an NK suffix to the end of any part description. Example: VPE-216 NK. Contact Browning for availability.


Look for the 

TABLE OF CONTENTS

200 Series Standard Duty	
Pillow Blocks Cast Iron	68-69
2-Bolt Flanges Cast Iron	70
4-Bolt Flanges Cast Iron	71
TakeUps Cast Iron	72
Inserts	74
100 Series Intermediate Duty	
Pillow Blocks Cast Iron	76-77
Pillow Blocks Ductile	83
Pillow Block Stamped Rubber	85
Pillow Block Stamped	86
2-Bolt Flanges Cast Iron	78
2-Bolt Flanges Ductile	82
3-Bolt Flanges Ductile	84
2-Bolt Stamped	87
3-Bolt Stamped	88
3-Bolt Stamped Triangle	90
4-Bolt Stamped	89
4-Bolt Flanges Cast Iron	79
Tapped Base Cast Iron	80
TakeUps Cast Iron	81
Rubber Gromet	91
Inserts	92-94
SET SCREW	4
BOA CONCENTRIC	50

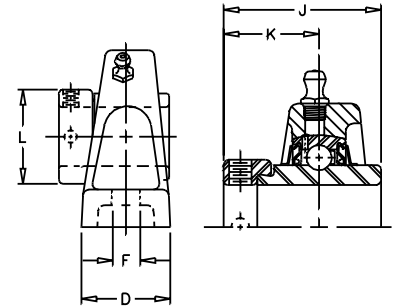
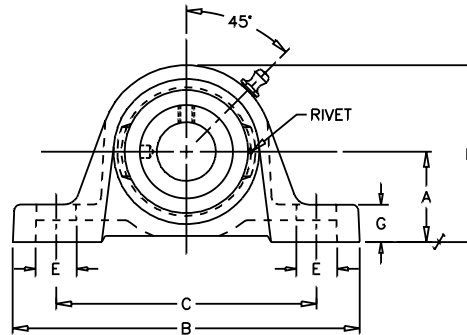
VPE-200

Lock: Eccentric
Seal: Contact
Housing: Cast Iron
Temperature: -20°F to 200°F
Self Alignment: ±1.5°
Inserts: VE-200
 Dimensions pg 74
 Ratings pg 75

V VALUE & QUALITY
 P PILLOW BLOCK
 E ECCENTRIC

2 200
 0 NORMAL
 0 DUTY

Bore Size	Fitting
1/2" - 1 1/4" S	1/4" - 28NF
1 1/4" - 2 15/16"	1/8" NPT



SHAFT DIA. IN	UNIT NO.	BRG. NO.	Dimensions in Inches											BOLT SIZE IN.	UNIT WT.
			A	B	C	D	E	F	G	H	J	K	L		
NK 1/2	VPE-208	VE-208	1 3/16	4 7/8	3 5/8	1 7/32	7/8	7/16	15/32	2 7/32	1 15/32	59/64	1 3/16	3/8	1.0
NK 5/8	VPE-210	VE-210													
NK 3/4	VPE-212	VE-212	1 5/16	5	3 25/32	1 11/32	25/32	7/16	17/32	2 17/32	1 23/32	1 3/64	1 5/16	3/8	1.5
NK 7/8	VPE-214	VE-214													
NK 15/16	VPE-215	VE-215	1 7/16	5 1/2	4 1/8	1 13/32	13/16	7/16	19/32	2 13/16	1 3/4	1 1/16	1 1/2	3/8	1.8
NK 1	VPE-216	VE-216													
NK 1 1/8	VPE-218	VE-218													
NK 1 3/16	VPE-219	VE-219	1 11/16	6 3/16	4 5/8	1 3/4	15/16	9/16	21/32	3 9/32	1 29/32	1 3/16	1 3/4	1/2	2.9
NK 1 1/4	VPE-220S	VE-220S													
NK 1 1/4	VPE-220	VE-220													
NK 1 3/8	VPE-222	VE-222	1 7/8	6 3/4	5	1 3/4	7/8	9/16	23/32	3 11/16	2 1/64	1 9/32	2 3/16	1/2	3.8
NK 1 7/16	VPE-223	VE-223													
NK 1 1/2	VPE-224	VE-224	2	7 1/8	5 3/8	1 15/16	1	9/16	13/16	4	2 7/32	1 3/8	2 3/8	1/2	5.0
NK 1 5/8	VPE-226	VE-226													
NK 1 11/16	VPE-227	VE-227	2 1/8	7 3/8	5 21/32	2	29/32	9/16	3/4	4 1/4	2 7/32	1 3/8	2 1/2	1/2	5.7
NK 1 3/4	VPE-228	VE-228													
NK 1 15/16	VPE-231	VE-231	2 1/4	8	6 3/16	2 3/16	15/16	11/16	3/4	4 9/16	2 15/32	1 1/2	2 3/4	5/8	6.3
NK 2	VPE-232	VE-232													
NK 2 3/16	VPE-235	VE-235	2 1/2	8 13/16	6 15/16	2 5/16	1	11/16	7/8	4 31/32	2 13/16	1 23/32	3	5/8	8.1
NK 2 1/4	VPE-236	VE-236													
NK 2 7/16	VPE-239	VE-239	2 3/4	9 1/2	7 13/32	2 3/8	1 5/32	11/16	7/8	5 9/16	3 1/16	1 27/32	3 3/8	5/8	10.2
NK 2 15/16	VPE-247	VE-247	3 5/16	12	9 1/2	2 7/8	1 1/4	15/16	1	6 5/8	3 5/8	2 5/32	4	7/8	19.5

NK Nickel Plated (NK) To order specify NK suffix, i.e. VPE-216 NK

REV 0

CROSS REFERENCE TO COMPETITORS PRODUCTS

REPLACES DODGE P2B-SXR			REPLACES NTN UELP2
REPLACES FAFNIR RAS	REPLACES LINK-BELT P34 200N	REPLACES HUB CITY PB221 HW*	

Refer to Interchange Section Page 162 for more detail.
 *-Malleable Casting

Ball Bearings

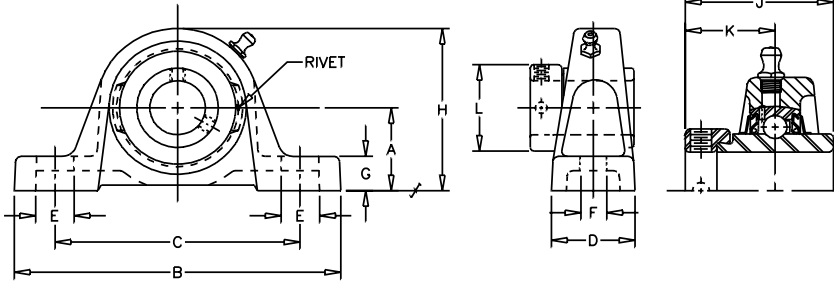
VALUE & QUALITY V
PILLOW BLOCK P
LOW BASE L
ECCENTRIC E

200 2
NORMAL 0
DUTY 0

VPLE-200

Lock: Eccentric
Seal: Contact
Housing: Cast Iron
Temperature: -20°F to 200°F
Self Alignment: ±1.5°
Inserts: VE-200

Dimensions pg 74
Ratings pg 75




Bore Size	Fitting
1/2" - 1 1/4" S	1/4" - 28NF
1 1/4" - 2 15/16"	1/8" NPT

SHAFT DIA. IN	UNIT NO.	BRG. NO.	Dimensions in Inches											BOLT SIZE IN.	UNIT WT.	
			A	B	C	D	E	F	G	H	J	K	L			
1/2	VPLE-208	VE-208														
5/8	VPLE-210	VE-210	1 1/16	4 7/8	3 5/8	1 7/32	7/8	7/16	11/32	2 3/32	1 15/32	59/64	1 3/16	3/8	.8	
3/4	VPLE-212	VE-212	1 1/4	5	3 25/32	1 11/32	25/32	7/16	15/32	2 15/32	1 23/32	1 3/64	1 5/16	3/8	1.4	
7/8	VPLE-214	VE-214														
15/16	VPLE-215	VE-215	1 5/16	5 1/2	4 1/8	1 13/32	13/16	7/16	15/32	2 11/16	1 3/4	1 1/16	1 1/2	3/8	1.7	
1	VPLE-216	VE-216														
1 1/8	VPLE-218	VE-218														
1 3/16	VPLE-219	VE-219	1 9/16	6 3/16	4 5/8	1 3/4	15/16	9/16	17/32	3 5/32	1 29/32	1 3/16	1 3/4	1/2	2.8	
1 1/4	VPLE-220S	VE-220S														
1 1/4	VPLE-220	VE-220														
1 3/8	VPLE-222	VE-222	1 13/16	6 3/4	5	1 3/4	7/8	9/16	21/32	3 5/8	2 1/64	1 9/32	2 3/16	1/2	3.7	
1 7/16	VPLE-223	VE-223														
1 1/2	VPLE-224	VE-224	1 15/16	7 1/8	5 3/8	1 15/16	1	9/16	3/4	3 15/16	2 7/32	1 3/8	2 3/8	1/2	4.8	
1 5/8	VPLE-226	VE-226														
1 11/16	VPLE-227	VE-227	2 1/16	7 3/8	5 21/32	2	29/32	9/16	11/16	4 3/16	2 7/32	1 3/8	2 1/2	1/2	5.6	
1 3/4	VPLE-228	VE-228														
1 15/16	VPLE-231	VE-231	2 3/16	8	6 3/16	2 3/16	15/16	11/16	11/16	4 1/2	2 15/32	1 1/2	2 3/4	5/8	6.2	
2	VPLE-232	VE-232	2 7/16	8 13/16	6 15/16	2 5/16	1	11/16	13/16	4 29/32	2 13/16	1 23/32	3	5/8	7.9	
2 3/16	VPLE-235	VE-235														
2 1/4	VPLE-236	VE-236	2 11/16	9 1/2	7 13/32	2 3/8	1 5/32	11/16	13/16	5 1/2	3 1/16	1 27/32	3 3/8	5/8	10.0	
2 7/16	VPLE-239	VE-239														
2 11/16	VPLE-243	VE-243	3	10 3/4	8 1/4	2 11/16	1 3/8	13/16	15/16	6 3/16	3 3/8	2 1/32	3 13/16	3/4	18.5	
2 15/16	VPLE-247	VE-247	3 1/4	12	9 1/2	2 7/8	1 1/4	15/16	15/16	6 9/16	3 5/8	2 5/32	4	7/8	19.5	

 Air Handling (AH) To order specify AH suffix, i.e. VPLE-216 AH, See page 48

REV 0

 Nickel Plated (NK) To order specify NK suffix, i.e. VPLE-216 NK

CROSS REFERENCE TO COMPETITORS PRODUCTS

REPLACES DODGE P2B-SXRB	REPLACES SKF SYH-WM		REPLACES NTN UEL PL2
REPLACES FAFNIR RAK	REPLACES LINK-BELT PL3Y200N	REPLACES HUB CITY PB 220HW*	

Refer to Interchange Section Page 162 for more detail.
*-Malleable Casting

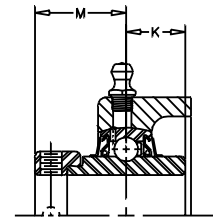
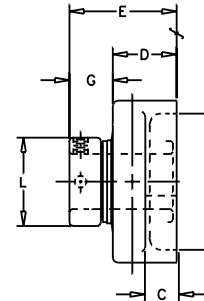
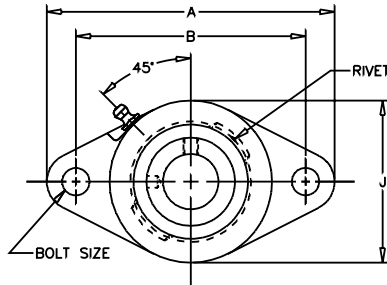
VF2E-200

Lock: Eccentric
Seal: Contact
Housing: Cast Iron
Temperature: -20°F to 200°F
Self Alignment: ±1.5°
Inserts: VE-200
 Dimensions pg 74
 Ratings pg 75

V VALUE & QUALITY
 F FLANGE
 2 TWO BOLT
 E ECCENTRIC

2 200
 0 NORMAL
 0 DUTY

Bore Size	Fitting
1/2" - 1 1/4" S	1/4" - 28NF
1 1/4" - 2 15/16"	1/8" NPT



SHAFT DIA. IN	UNIT NO.	BRG. NO.	Dimensions In Inches											BOLT SIZE IN.	UNIT WT.
			A	B	C	D	E	G	H CORED	J	K	L	M		
1/2	VF2E-208	VE-208	3 7/8	3	1/2	1 1/32	1 43/64	41/64	1 3/4	2 3/8	35/64	1 3/16	59/64	3/8	1.0
5/8	VF2E-210	VE-210	4 13/32	3 17/32	1/2	1 5/64	1 51/64	23/32	2	2 3/8	43/64	1 5/16	1 3/64	3/8	1.1
3/4	VF2E-212	VE-212	4 13/32	3 17/32	1/2	1 5/64	1 51/64	23/32	2	2 3/8	43/64	1 5/16	1 3/64	3/8	1.1
7/8	VF2E-214	VE-214	4 7/8	3 57/64	17/32	1 5/64	1 13/16	47/64	2 5/16	2 3/4	11/16	1 1/2	1 1/16	7/16	1.5
15/16	VF2E-215	VE-215	4 7/8	3 57/64	17/32	1 5/64	1 13/16	47/64	2 5/16	2 3/4	11/16	1 1/2	1 1/16	7/16	1.5
1	VF2E-216	VE-216													
1 1/8	VF2E-218	VE-218													
1 3/16	VF2E-219	VE-219	5 9/16	4 19/32	17/32	1 13/64	2	51/64	2 3/4	3 1/8	23/32	1 3/4	1 3/16	7/16	2.1
1 1/4	VF2E-220-S	VE-220S													
1 1/4	VF2E-220	VE-220													
1 3/8	VF2E-222	VE-222	6 1/8	5 1/8	5/8	1 1/4	2 1/8	7/8	3 3/16	3 5/8	3/4	2 3/16	1 9/32	1/2	2.9
1 7/16	VF2E-223	VE-223													
1 1/2	VF2E-224	VE-224	6 3/4	5 21/32	5/8	1 13/32	2 5/16	29/32	3 1/2	4 1/8	27/32	2 3/8	1 3/8	1/2	3.8
1 5/8	VF2E-226	VE-226													
1 11/16	VF2E-227	VE-227	7 1/16	5 27/32	5/8	1 13/32	2 5/16	29/32	3 3/4	4 3/8	27/32	2 1/2	1 3/8	9/16	3.9
1 3/4	VF2E-228	VE-228													
1 15/16	VF2E-231	VE-231	7 7/16	6 3/16	11/16	1 39/64	2 5/8	1 1/64	4	4 9/16	31/32	2 3/4	1 1/2	9/16	4.8
2	VF2E-232	VE-232													
2 7/16	VF2E-235	VE-235	8 1/2	7 1/4	13/16	1 49/64	2 31/32	1 13/64	4 1/4	5 1/4	1 3/32	3	1 23/32	5/8	6.2
2 1/4	VF2E-236	VE-236													
2 7/16	VF2E-239	VE-239	9 1/4	7 15/16	13/16	1 31/32	3 1/4	1 9/32	4 3/4	5 7/16	1 7/32	3 3/8	1 27/32	5/8	9.6
2 11/16	VF2E-243	VE-243	10 1/8	8 5/16	13/16	2 3/64	3 1/2	1 29/64	5 1/8	6 1/8	1 11/32	3 13/16	2 1/32	5/8	17.0
2 15/16	VF2E-247	VE-247	10 1/2	8 1/2	1	2 15/64	3 25/32	1 35/64	5 3/4	6 1/2	1 15/32	4	2 5/32	3/4	19.5

REV 0

CROSS REFERENCE TO COMPETITORS PRODUCTS

REPLACES DODGE F2B-SXR		REPLACES SKF FYT-WM	REPLACES NTN UELFL2 or UELFL U2
REPLACES FAFNIR RCJT	REPLACES LINK-BELT FX3 Y200N	REPLACES HUB CITY FB220 HW*	

Refer to Interchange Section Page 162 for more detail.
 *-Malleable Casting

Ball Bearings

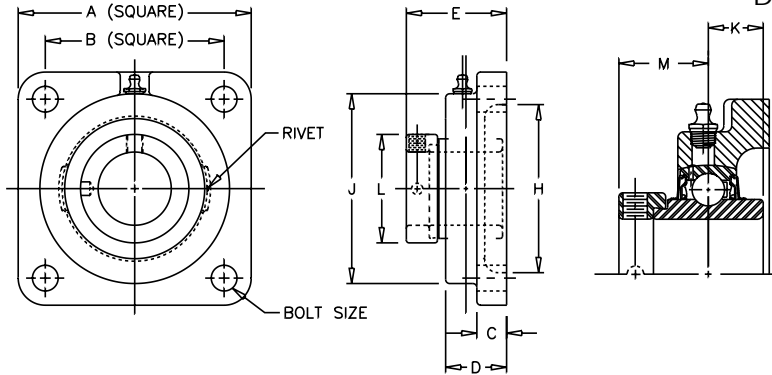
VALUE & QUALITY V
 FLANGE F
 FOUR BOLT 4
 ECCENTRIC E

200 2
 NORMAL 0
 DUTY 0

VF4E-200

Lock: Eccentric
Seal: Contact
Housing: Cast Iron
Temperature: -20°F to 20°F
Self Alignment: ±1.5°
Inserts: VE-200
 Dimensions pg 74
 Ratings pg 75

Bore Size	Fitting
1/2" - 1 1/4" S	1/4" - 28NF
1 1/4" - 2 15/16"	1/8" NPT



SHAFT DIA. IN	UNIT NO.	BRG. NO.	Dimensions in Inches											BOLT SIZE IN.	UNIT WT.
			A	B	C	D	E	G	H CORED	J	K	L	M		
1/2	VF4E-208	VE-208	3	2 1/8	1/2	7/8	1 33/64	41/64	1 3/4	2 1/8	35/64	1 3/16	59/64	3/8	1.2
5/8	VF4E-210	VE-210													
3/4	VF4E-212	VE-212	3 3/8	2 1/2	1/2	1 5/64	1 51/64	23/32	2	2 1/2	43/64	1 5/16	1 3/64	3/8	1.5
7/8	VF4E-214	VE-214													
15/16	VF4E-215	VE-215	3 3/4	2 3/4	9/16	1 7/64	1 27/32	47/64	2 1/2	2 3/4	11/16	1 1/2	1 1/16	7/16	2.0
1	VF4E-216	VE-216													
1 1/8	VF4E-218	VE-218													
1 3/16	VF4E-219	VE-219	4 1/4	3 1/4	5/8	1 13/64	2	51/64	2 7/8	3 1/8	23/32	1 3/4	1 3/16	7/16	3.0
1 1/4	VF4E-220S	VE-220S													
1 1/4	VF4E-220	VE-220													
1 3/8	VF4E-222	VE-222	4 5/8	3 5/8	21/32	1 1/4	2 1/8	7/8	3 1/4	3 5/8	3/4	2 3/16	1 9/32	1/2	3.8
1 7/16	VF4E-223	VE-223													
1 1/2	VF4E-224	VE-224	5 1/8	4	11/16	1 13/32	2 5/16	29/32	3 1/2	4 1/8	27/32	2 3/8	1 3/8	1/2	5.1
1 5/8	VF4E-226	VE-226													
1 11/16	VF4E-227	VE-227	5 3/8	4 1/8	11/16	1 13/32	2 5/16	29/32	3 7/8	4 3/8	27/32	2 1/2	1 3/8	9/16	5.4
1 3/4	VF4E-228	VE-228													
1 15/16	VF4E-231	VE-231	5 5/8	4 3/8	23/32	1 39/64	2 5/8	1 1/64	4	4 9/16	31/32	2 3/4	1 1/2	9/16	5.9
2	VF4E-232	VE-232													
2 3/16	VF4E-235	VE-235	6 3/8	5 1/8	25/32	1 49/64	2 31/32	1 13/64	4 1/4	5 1/4	1 3/32	3	1 23/32	5/8	8.2
2 1/4	VF4E-236	VE-236													
2 7/16	VF4E-239	VE-239	6 7/8	5 5/8	13/16	1 31/32	3 1/4	1 9/32	4 7/8	5 7/16	1 7/32	3 3/8	1 27/32	5/8	9.9
2 11/16	VF4E-243	VE-243	7 3/8	5 7/8	13/16	2 3/64	3 1/2	1 29/64	5 1/8	6 1/8	1 11/32	3 13/16	2 1/32	5/8	17.0
2 15/16	VF4E-247	VE-247	7 3/4	6	1	2 15/64	3 25/32	1 35/64	5 3/4	6 1/2	1 15/32	4	2 5/32	3/4	19.5

REV 0

CROSS REFERENCE TO COMPETITORS PRODUCTS

REPLACES DODGE F4B-SXR		REPLACES SKF FY-WM	REPLACES NTN UELF2 or UEFLFU2
REPLACES FAFNIR RCJ	REPLACES LINK-BELT F3Y 200N	REPLACES HUB CITY FB 230HW*	

Refer to Interchange Section Page 162 for more detail.
 *-Malleable Casting

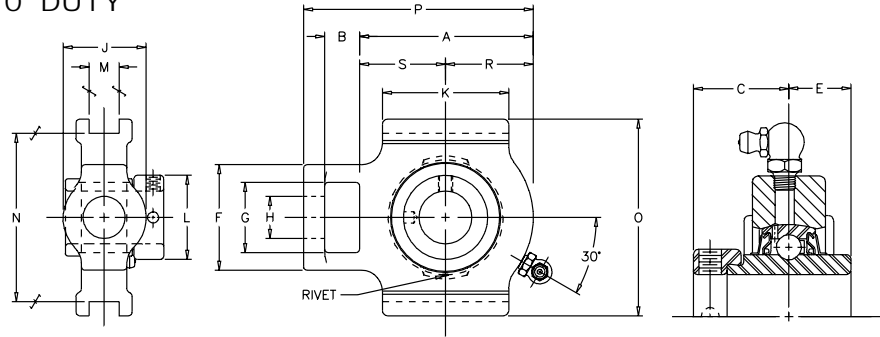
VTWE-200

Lock: Eccentric
Seal: Contact
Housing: Cast Iron
Temperature: -20°F to 200°F
Self Alignment: ±1.5°
Inserts: VE-200
 Dimensions pg 74
 Ratings pg 75

V VALUE & QUALITY
 T TAKE-UP
 W WIDE SLOT
 E ECCENTRIC

2 200
 0 NORMAL
 0 DUTY

Bore Size	Fitting
1/2" - 1 1/4" S	1/4" - 28NF
1 1/4" - 2 15/16"	1/8" NPT



SHAFT DIA. IN	UNIT NO.	BRG. NO.	Dimensions In Inches																UNIT WT
			A	B	C	E	F	G	H CORE	J HUB	K	L	M	N	O	P	R	S	
3/4	VTWE-212	VE-212	3	5/8	1 3/64	43/64	1 7/8	1 1/4	3/4	1 3/8	2 1/4	1 5/16	17/32	3	3 1/2	4	1 7/16	1 9/16	1.8
7/8	VTWE-214	VE-214																	
15/16	VTWE-215	VE-215	3 3/32	5/8	1 1/16	11/16	1 7/8	1 1/4	3/4	1 1/2	2 1/4	1 1/2	17/32	3	3 1/2	4 3/32	1 9/16	1 17/32	1.9
1	VTWE-216	VE-216																	
1 1/8	VTWE-218	VE-218	3 3/8	3/4	1 3/16	23/32	2 1/8	1 7/16	7/8	1 3/4	2 1/2	1 3/4	17/32	3 1/2	4	4 5/8	1 25/32	1 19/32	2.8
1 3/16	VTWE-219	VE-219																	
1 1/4	VTWE-220	VE-220																	
1 3/8	VTWE-222	VE-222	3 3/4	3/4	1 9/32		2 1/8	1 7/16	7/8	1 3/4	2 3/4	2 3/16	17/32	3 1/2	4	5	2	1 3/4	3.5
1 7/16	VTWE-223	VE-223																	
1 1/2	VTWE-224	VE-224	4 7/32	3/4	1 3/8	27/32	2 3/4	1 15/16	1 1/8	2 1/8	3 1/4	2 3/8	11/16	4	4 1/2	5 19/32	2 3/16	2 1/32	5.2
1 5/8	VTWE-226	VE-226																	
1 11/16	VTWE-227	VE-227	4 3/8	3/4	1 3/8	27/32	2 3/4	1 15/16	1 1/8	2 1/8	3 1/4	2 1/2	11/16	4	4 1/2	5 3/4	2 1/4	2 1/8	5.8
1 3/4	VTWE-228	VE-228																	
1 15/16	VTWE-231	VE-231	4 17/32	3/4	1 1/2	31/32	2 3/4	1 15/16	1 1/8	2 1/8	3 3/8	2 3/4	11/16	4	4 1/2	5 29/32	2 5/16	2 7/32	6.1
2	VTWE-232	VE-232																	
2 3/16	VTWE-235	VE-235	5 3/32	1	1 23/32	1 3/32	3 5/8	2 1/2	1 3/8	2 1/2	3 3/4	3	1 1/16	5 1/8	5 3/4	6 27/32	2 9/16	2 17/32	8.7
2 7/16	VTWE-239	VE-239	5 1/2	1	1 27/32	1 7/32	3 5/8	2 1/2	1 3/8	2 1/2	4	3 3/8	1 1/16	5 1/8	5 3/4	7 1/4	2 27/32	2 21/32	9.6

REV 0

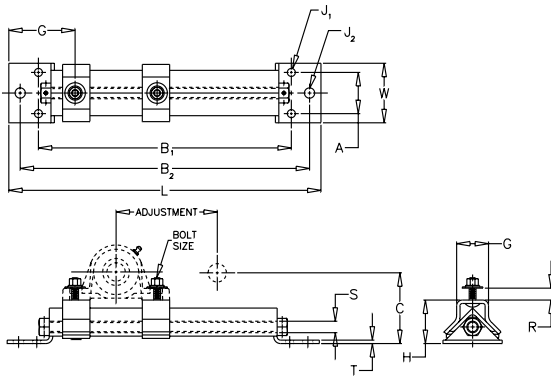
CROSS REFERENCE TO COMPETITORS PRODUCTS

REPLACES DODGE WSTU-SXR		REPLACES SKF TBY-WM	
REPLACES FAFNIR RTU			

Refer to Interchange Section Page 162 for more detail.

Ball Bearings

TU-FRAMES

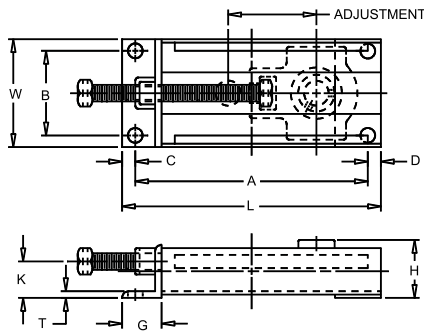


TOP FLANGE
Bearings
Sold
Separately

TF
PROTECTED
SCREW
TAKEUP
FRAME

FRAME PART NO.	BORE RANGE	Nominal Adjust-ment	Dimensions In Inches													BOLT SIZE	UNIT WT.
			L	W	A	B1	B2	G	H	J1	J2	Q	R	S	T		
6TF16	3/4-1	6	17 1/8	3 1/4	2 1/4	13 7/8	15 7/8	3 5/16	2 3/8	7/16	9/16	1 3/4	9/16	5/8	3/16	3/8	6.0
9TF16	3/4-1	9	20 1/8	3 1/4	2 1/4	16 7/8	18 7/8	3 5/16	2 3/8	7/16	9/16	1 3/4	9/16	5/8	3/16	3/8	6.7
6TF31	1 1/16-1 15/16	6	18 3/16	3 1/2	2 1/2	15 7/16	16 15/16	3 3/8	2 13/16	7/16	9/16	2 5/16	7/8	3/4	3/16	1/2	8.9
9TF31	1 1/16-1 15/16	9	22 5/8	3 1/2	2 1/2	19 7/8	21 3/8	3 3/8	2 13/16	7/16	9/16	2 5/16	7/8	3/4	3/16	1/2	10.3
12TF31	1 1/16-1 15/16	12	24 3/16	3 1/2	2 1/2	21 7/16	22 15/16	3 3/8	2 13/16	7/16	9/16	2 5/16	7/8	3/4	3/16	1/2	10.9
18TF31	1 1/16-1 15/16	18	31 5/8	3 1/2	2 1/2	28 7/8	30 3/8	3 3/8	2 13/16	7/16	9/16	2 5/16	7/8	3/4	3/16	1/2	13.3
12TF39	2-2 7/16	12	28	4 1/2	3	24 3/4	26 3/4	4	3 5/16	9/16	11/16	2 5/8	15/16	1	1/4	5/8	18.3
18TF39	2-2 7/16	18	34	4 1/2	3	30 3/4	32 3/4	4	3 5/16	9/16	11/16	2 5/8	15/16	1	1/4	5/8	21.2

REV 0



SIDE FLANGE
Bearings
Sold
Separately

SF
CENTER
PULL
TAKEUP
FRAME

FRAME PART NO.	BORE RANGE	Adjustment	Dimensions In Inches												BOLT HOLES		UNIT WT.
			L	W	A	B	C	D	G	H Locking Type		K	T	No.	SIZE		
	Set Screw									Eccentric lock							
1SF10	1/2 - 1	1 1/2	7	4 1/16	6	3 3/16	1/2	1/2	1 1/2	2 7/16	2 25/32	1 3/8	1/4	3	9/16	3.3	
3SF16	1/2 - 1	3	8 1/2	4 1/16	7 1/2	3 3/16	1/2	1/2	1 1/2	2 7/16	2 25/32	1 3/8	1/4	3	9/16	3.9	
6SF16	1/2 - 1	6	11 1/2	4 1/16	10 1/2	3 3/16	1/2	1/2	1 1/2	2 7/16	2 25/32	1 3/8	1/4	3	9/16	5.1	
9SF16	1/2 - 1	9	14 1/2	4 1/16	13 1/2	3 3/16	1/2	1/2	1 1/2	2 7/16	2 25/32	1 3/8	1/4	3	9/16	6.2	
3SF23	1 1/8 - 1 7/16	3	9 3/8	4 11/16	8 3/8	3 11/16	1/2	1/2	1 1/2	2 31/32	3 19/64	1 3/8	1/4	3	9/16	5.4	
6SF23	1 1/8 - 1 7/16	6	12 3/8	4 11/16	11 3/8	3 11/16	1/2	1/2	1 1/2	2 31/32	3 19/64	1 3/8	1/4	3	9/16	6.7	
9SF23	1 1/8 - 1 7/16	9	15 3/8	4 11/16	14 3/8	3 11/16	1/2	1/2	1 1/2	2 31/32	3 19/64	1 3/8	1/4	3	9/16	8.1	
12SF23	1 1/8 - 1 7/16	12	18 3/8	4 11/16	17 3/8	3 11/16	1/2	1/2	1 1/2	2 31/32	3 19/64	1 3/8	1/4	3	9/16	9.5	
3SF31	1 1/2 - 1 15/16	3	11	5 1/16	9 7/8	3 1/16	1/2	5/8	1 1/2	3 1/8	3 11/32	1 5/8	1/4	4	9/16	7.4	
6SF31	1 1/2 - 1 15/16	6	14	5 1/16	12 7/8	3 1/16	1/2	5/8	1 1/2	3 1/8	3 11/32	1 5/8	1/4	4	9/16	9.1	
9SF31	1 1/2 - 1 15/16	9	17	5 1/16	15 7/8	3 1/16	1/2	5/8	1 1/2	3 1/8	3 11/32	1 5/8	1/4	4	9/16	10.8	
12SF31	1 1/2 - 1 15/16	12	20	5 1/16	18 7/8	3 1/16	1/2	5/8	1 1/2	3 1/8	3 11/32	1 5/8	1/4	4	9/16	12.5	
18SF31	1 1/2 - 1 15/16	18	26	5 1/16	24 7/8	3 1/16	1/2	5/8	1 1/2	3 1/8	3 11/32	1 5/8	1/4	4	9/16	15.9	
9SF39	2 - 2 7/16	9	18 1/4	6 3/8	16 7/8	4 1/8	5/8	3/4	1 1/2	3 23/32	4 1/8	1 7/8	5/16	4	11/16	20.0	
12SF39	2 - 2 7/16	12	22 1/4	6 3/8	19 7/8	4 1/8	5/8	3/4	1 1/2	3 23/32	4 1/8	1 7/8	5/16	4	11/16	22.8	
18SF39	2 - 2 7/16	18	27 1/4	6 3/8	25 7/8	4 1/8	5/8	3/4	1 1/2	3 23/32	4 1/8	1 7/8	5/16	4	11/16	28.2	

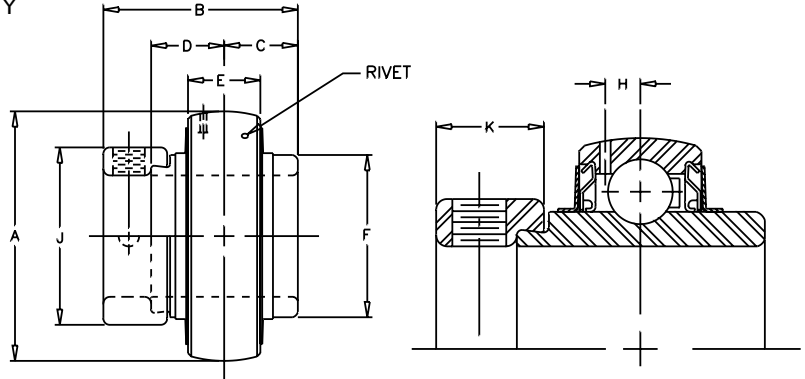
REV 1



VE-200

Lock: Eccentric
 Seal: Contact
 Temperature: -20°F to 200°F
 Ratings: Page 75

V VALUE & QUALITY
 E ECCENTRIC
 2 200
 0 NORMAL
 0 DUTY



SHAFT DIA. IN	BRG. NO.	Dimensions in Inches									SET SCREW TAP	UNIT WT.
		A	B	C	D	E	F	H	J	K		
1/2	VE-208	40MM	1 15/32	35/64	35/64	33/64	31/32	9/64	1 3/16	17/32	1/4-28	.6
5/8	VE-210	1.5748										
3/4	VE-212	47MM 1.8504	1 23/32	43/64	43/64	19/32	1 3/16	5/32	1 5/16	17/32	1/4-28	.6
7/8	VE-214	52MM	1 3/4	11/16	11/16	19/32	1 3/8	5/32	1 1/2	17/32	1/4-28	.8
15/16	VE-215	2.0472										
1	VE-216											
1 1/8	VE-218	62MM	1 29/32	23/32	23/32	45/64	1 19/32	13/64	1 3/4	5/8	5/16-24	1.1
1 3/16	VE-219	2.4409										
1 1/4	VE-220S											
1 1/4	VE-220	72MM	2 1/64	3/4	3/4	3/4	1 55/64	15/64	2 3/16	11/16	3/8-24	1.4
1 3/8	VE-222	2.8346										
1 7/16	VE-223											
1 1/2	VE-224	80MM 3.1496	2 7/32	27/32	27/32	55/64	2 1/16	17/64	2 3/8	23/32	3/8-24	1.7
1 5/8	VE-226											
1 11/16	VE-227	85MM	2 7/32	27/32	27/32	55/64	2 19/64	17/64	2 1/2	23/32	3/8-24	1.8
1 3/4	VE-228	3.3465										
1 15/16	VE-231	90MM 3.5433	2 15/32	31/32	31/32	29/32	2 15/32	9/32	2 3/4	23/32	3/8-24	2.3
2	VE-232	100MM	2 13/16	1 3/32	1 3/32	63/64	2 23/32	5/16	3	13/16	7/16-20	3.0
2 3/16	VE-235	3.9370										
2 1/4	VE-236	110MM	3 1/16	1 7/32	1 7/32	1 1/16	2 63/64	11/32	3 3/8	7/8	7/16-20	4.0
2 7/16	VE-239	4.3307										
2 11/16	VE-243	125MM 4.9213	3 3/8	1 11/32	1 11/32	1 7/64	3 7/16	3/8	3 13/16	15/16	1/2-20	5.7
2 15/16	VE-247	130MM 5.1181	3 5/8	1 15/32	1 15/32	1 9/64	3 41/64	3/8	4	15/16	1/2-20	6.3

REV 0

CROSS REFERENCE TO COMPETITORS PRODUCTS

For insert interchange information, contact EPT Mounted Bearing Technical Support.
 See page 256 for contact information.

200 SERIES RATINGS

This chart displays 200 series ball bearings' load capacity for a given L10 life, speed, and shaft size. Values in the table represent loads at ideal conditions with press fit mounting to the shaft. ABMA recommends de-rating of slip fit mounted bearings. To obtain de-rated load, divide load in table by 1.3. Values in the table represent equivalent radial loads only. For combined load determination, see **THE BEARING SELECTION SECTION**, page 262. Areas designated by “-” exceed maximum speed value for standard bearings.

Match Bore Size

SHAFT SIZES	L10 HOURS	REVOLUTIONS PER MINUTE																	
		50	150	250	500	750	1000	1500	1750	2000	2500	3000	3500	4000	4500	5000	5500	6500	7500
1/2 5/8	5000	500	500	500	397	347	315	275	261	250	232	218	207	198	191	184	178	169	161
	10000	500	470	397	315	275	250	218	207	198	184	173	165	157	151	146	142	134	128
	30000	470	326	275	218	191	173	151	144	138	128	120	114	109	105	101	98	93	89
	50000	397	275	232	184	161	146	128	121	116	108	101	96	92	89	85	83	78	75
	100000	315	218	184	146	128	116	101	96	92	85	80	76	73	70	68	66	62	59
3/4	5000	619	619	619	491	429	390	341	324	310	287	270	257	246	236	228	221	209	
	10000	583	583	491	390	341	310	270	257	246	228	215	204	195	188	181	175	166	
	30000	583	404	341	270	236	215	188	178	170	158	149	141	135	130	126	122	115	
	50000	491	341	287	228	199	181	158	150	144	133	126	119	114	110	106	103	97	
	100000	390	270	228	181	158	144	126	119	114	106	100	95	91	87	84	81	77	
7/8 15/16 1	5000	664	664	664	527	461	418	366	347	332	308	290	276	264	253	245	237		
	10000	625	625	527	418	366	332	290	276	264	245	230	219	209	201	194	188		
	30000	625	433	366	290	253	230	201	191	183	170	160	152	145	139	135	130		
	50000	527	366	308	245	214	194	170	161	154	143	135	128	122	118	114	110	110	
	100000	418	290	245	194	170	154	135	128	122	114	107	102	97	93	90	87		
1 1/8 1 3/16 1 1/4	5000	1039	1039	1039	825	720	654	572	543	519	482	454	431	412	396				
	10000	978	978	825	654	572	519	454	431	412	383	360	342	327	315				
	30000	978	678	572	454	396	390	315	299	286	265	250	237	227	218				
	50000	825	572	482	383	334	304	265	252	241	224	211	200	191	184				
	100000	654	454	383	304	265	241	211	200	191	178	167	159	152	146				
1 1/4 1 3/8 1 7/16	5000	1290	1290	1290	1088	951	864	755	717	686	636	599	569	544					
	10000	1290	1290	1088	864	755	686	599	569	544	505	475	452	432					
	30000	1290	895	755	599	523	475	415	394	377	350	330	313	299					
	50000	1088	755	636	505	441	401	350	333	318	295	278	264	253					
	100000	864	599	505	401	350	318	278	264	253	234	221	210	200					
1 1/2	5000	1638	1638	1638	1381	1207	1096	958	910	870	808	760	722						
	10000	1638	1638	1381	1096	958	870	760	722	691	641	603	573						
	30000	1638	1136	958	760	664	603	527	501	479	445	418	397						
	50000	1381	958	808	641	560	509	445	422	404	375	353	335						
	100000	1096	760	641	509	445	404	353	335	321	298	280	266						
1 5/8 1 11/16 1 3/4	5000	1763	1763	1763	1487	1299	1180	1031	979	937	870	818							
	10000	1763	1763	1487	1180	1031	937	818	777	744	690	650							
	30000	1763	1222	1031	818	715	650	567	539	516	479	450							
	50000	1487	1031	870	690	603	548	479	455	435	404	380							
	100000	1180	818	690	548	479	435	380	361	345	320	301							
1 15/16 2	5000	1760	1760	1760	1485	1297	1178	1029	978	935	868	817							
	10000	1760	1760	1485	1178	1029	935	817	7769	742	689	649							
	30000	1760	1221	1029	817	714	649	567	538	515	478	450							
	50000	1485	1029	868	689	602	547	478	454	434	403	379							
	100000	1178	817	689	547	478	434	379	360	345	320	301							
2 2 3/16	5000	2176	2176	2176	1835	1603	1457	1273	1209	1156	1073								
	10000	2176	2176	1835	1457	1273	1156	1010	959	918	852								
	30000	2176	1509	1273	1010	882	802	700	665	636	591								
	50000	1835	1273	1073	852	744	676	591	561	537	498								
	100000	1457	1010	852	676	591	537	469	445	426	395								
2 1/4 2 7/16	5000	2631	2631	2631	2219	1938	1761	1538	1461	1398	1298								
	10000	2631	2631	2219	1761	1538	1398	1221	1160	1109	1030								
	30000	2631	1824	1538	1221	1067	969	847	804	769	714								
	50000	2219	1538	1298	1030	900	817	714	678	649	602								
	100000	1761	1221	1030	817	714	649	567	538	515	478								
2 11/16	5000	3118	3118	3118	2629	2297	2087	1823	1732	1656									
	10000	3118	3118	2629	2087	1823	1656	1447	1375	1315									
	30000	3118	2162	1823	1447	1264	1149	1003	953	912									
	50000	2629	1823	1538	1220	1066	969	846	804	769									
	100000	2087	1447	1220	969	846	769	672	638	610									
2 15/16	5000	3311	3311	3311	2793	2440	2217	1936	1839	1759									
	10000	3311	3311	2793	2217	1936	1759	1537	1460	1396									
	30000	3311	2296	1936	1537	1343	1220	1066	1012	968									
	50000	2793	1936	1633	1296	1332	1029	899	854	817									
	100000	2217	1537	1296	1029	899	817	713	678	648									

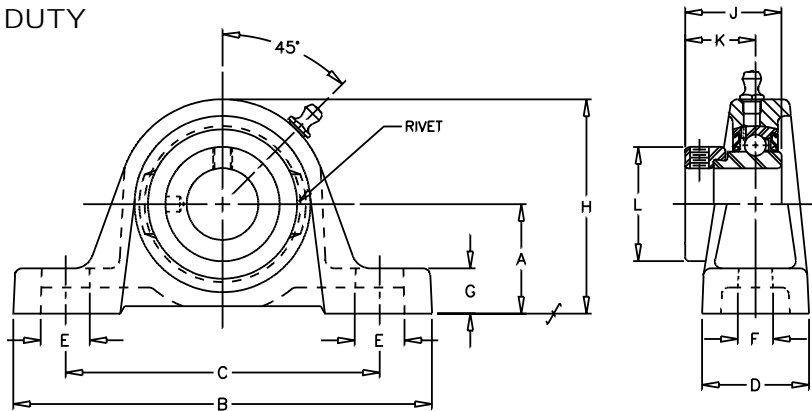
VPE-100

Lock: Eccentric
Seal: Contact
Housing: Cast Iron
Temperature: -20°F to 200°F
Self Alignment: ±1.5°
Inserts: VE-100
 Dimensions pg 94
 Ratings pg 95

V VALUE & QUALITY
 P PILLOW BLOCK
 E ECCENTRIC

1 100
 O INTERMEDIATE
 O DUTY

Bore Size	Fitting
1/2" - 1 1/4" S	1/4" - 28NF
1 1/4" - 2 15/16"	1/8" NPT



SHAFT DIA. IN	UNIT NO.	BRG. NO.	Dimensions in Inches											BOLT SIZE IN.	UNIT WT.
			A	B	C	D	E	F	G	H	J	K	L		
1/2	VPE-108	VE-108	1 3/16	4 7/8	3 5/8	1 7/32	7/8	7/16	15/32	2 7/32	1 3/16	7/8	1 3/16	3/8	1.0
5/8	VPE-110	VE-110	1 3/16	4 7/8	3 5/8	1 7/32	7/8	7/16	15/32	2 7/32	1 3/16	7/8	1 3/16	3/8	1.0
3/4	VPE-112	VE-112	1 5/16	5	3 25/32	1 11/32	25/32	7/16	17/32	2 17/32	1 17/64	59/64	1 5/16	3/8	1.5
7/8	VPE-114	VE-114	1 7/16	5 1/2	4 1/8	1 13/32	13/16	7/16	19/32	2 13/16	1 17/64	59/64	1 1/2	3/8	1.8
15/16	VPE-115	VE-115	1 7/16	5 1/2	4 1/8	1 13/32	13/16	7/16	19/32	2 13/16	1 17/64	59/64	1 1/2	3/8	1.8
1	VPE-116	VE-116	1 7/16	5 1/2	4 1/8	1 13/32	13/16	7/16	19/32	2 13/16	1 17/64	59/64	1 1/2	3/8	1.8
1 1/8	VPE-118	VE-118	1 11/16	6 3/16	4 5/8	1 3/4	15/16	9/16	21/32	3 9/32	1 27/64	1 3/64	1 3/4	1/2	2.9
1 3/16	VPE-119	VE-119	1 11/16	6 3/16	4 5/8	1 3/4	15/16	9/16	21/32	3 9/32	1 27/64	1 3/64	1 3/4	1/2	2.9
1 1/4	VPE-120S	VE-120S	1 11/16	6 3/16	4 5/8	1 3/4	15/16	9/16	21/32	3 9/32	1 27/64	1 3/64	1 3/4	1/2	2.9
1 1/4	VPE-120	VE-120	1 7/8	6 3/4	5	1 3/4	7/8	9/16	23/32	3 11/16	1 37/64	1 5/32	2 3/16	1/2	3.8
1 3/8	VPE-122	VE-122	1 7/8	6 3/4	5	1 3/4	7/8	9/16	23/32	3 11/16	1 37/64	1 5/32	2 3/16	1/2	3.8
1 7/16	VPE-123	VE-123	1 7/8	6 3/4	5	1 3/4	7/8	9/16	23/32	3 11/16	1 37/64	1 5/32	2 3/16	1/2	3.8
1 1/2	VPE-124	VE-124	2	7 1/8	5 3/8	1 15/16	1	9/16	13/16	4	1 49/64	1 9/32	2 3/8	1/2	5.0
1 11/16	VPE-127	VE-127	2 1/8	7 3/8	5 21/32	2	29/32	9/16	3/4	4 1/4	1 49/64	1 9/32	2 1/2	1/2	5.7
1 3/4	VPE-128	VE-128	2 1/8	7 3/8	5 21/32	2	29/32	9/16	3/4	4 1/4	1 49/64	1 9/32	2 1/2	1/2	5.7
1 15/16	VPE-131	VE-131	2 1/4	8	6 3/16	2 3/16	15/16	11/16	3/4	4 9/16	1 25/32	1 9/32	2 3/4	5/8	6.3
2	VPE-132S	VE-132S	2 1/4	8	6 3/16	2 3/16	15/16	11/16	3/4	4 9/16	1 25/32	1 9/32	2 3/4	5/8	6.3
2	VPE-132	VE-132	2 1/2	8 13/16	6 15/16	2 5/16	1	11/16	7/8	4 31/32	1 63/64	1 7/16	3	5/8	8.1
2 3/16	VPE-135	VE-135	2 1/2	8 13/16	6 15/16	2 5/16	1	11/16	7/8	4 31/32	1 63/64	1 7/16	3	5/8	8.1

REV 0

CROSS REFERENCE TO COMPETITORS PRODUCTS

REPLACES DODGE P2B-SXV		REPLACES SKF SY-FM	REPLACES NTN JELP2
REPLACES FAFNIR VAS	REPLACES LINK-BELT P3-W200U	REPLACES HUB CITY PB 221	REPLACES BOSTON H

Refer to Interchange Section Page 162 for more detail.

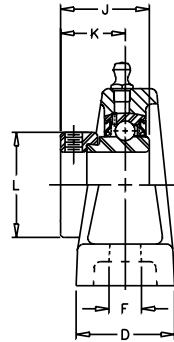
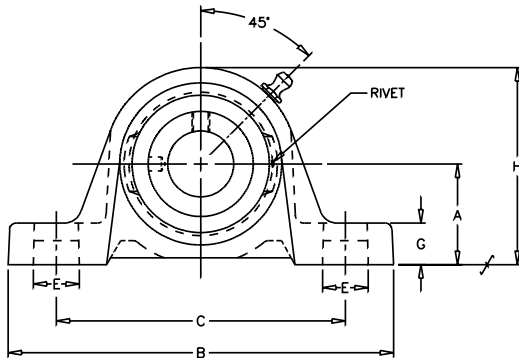
Ball Bearings

VALUE & QUALITY V
PILLOW BLOCK P
LOW BASE L
ECCENTRIC E

VPLE-100

100 1
INTERMEDIATE 0
DUTY 0

Lock: Eccentric
Seal: Contact
Housing: Cast Iron
Temperature: -20°F to 20°F
Self Alignment: ±1.5°
Inserts: VE-100
Dimensions pg 94
Ratings pg 95



Bore Size	Fitting
1/2" - 1 1/4" S	1/4" - 28NF
1 1/4" - 2 15/16"	1/8" NPT

SHAFT DIA. IN	UNIT NO.	BRG. NO.	Dimensions in Inches											BOLT SIZE IN.	UNIT WT.	
			A	B	C	D	E	F	G	H	J	K	L			
1/2	VPLE-108	VE-108														
5/8	VPLE-110	VE-110	1 1/16	4 7/8	3 5/8	1 7/32	7/8	7/16	11/32	2 3/32	1 3/16	7/8	1 3/16	3/8	.8	
3/4	VPLE-112	VE-112	1 1/4	5	3 25/32	1 11/32	25/32	7/16	15/32	2 15/32	1 17/64	59/64	1 5/16	3/8	1.4	
7/8	VPLE-114	VE-114														
15/16	VPLE-115	VE-115	1 5/16	5 1/2	4 1/8	1 13/32	13/16	7/16	15/32	2 11/16	1 17/64	59/64	1 1/2	3/8	1.7	
1	VPLE-116	VE-116														
1 1/8	VPLE-118	VE-118														
1 3/16	VPLE-119	VE-119	1 9/16	6 3/16	4 5/8	1 3/4	15/16	9/16	17/32	3 5/32	1 27/64	1 3/64	1 3/4	1/2	2.8	
1 1/4	VPLE-120S	VE-120S														
1 1/4	VPLE-120	VE-120														
1 3/8	VPLE-122	VE-122	1 13/16	6 3/4	5	1 3/4	7/8	9/16	21/32	3 5/8	1 37/64	1 5/32	2 3/16	1/2	3.7	
1 7/16	VPLE-123	VE-123														
1 1/2	VPLE-124	VE-124	1 15/16	7 1/8	5 3/8	1 15/16	1	9/16	3/4	3 15/16	1 49/64	1 9/32	2 3/8	1/2	4.8	
1 11/16	VPLE-127	VE-127														
1 3/4	VPLE-128	VE-128	2 1/16	7 3/8	5 21/32	2	29/32	9/16	11/16	4 3/16	1 49/64	1 9/32	2 1/2	1/2	5.6	
1 15/16	VPLE-131	VE-131														
2	VPLE-132S	VE-132S	2 3/16	8	6 3/16	2 3/16	15/16	11/16	11/16	4 1/2	1 25/32	1 9/32	2 3/4	5/8	6.2	
2	VPLE-132	VE-132														
2 3/16	VPLE-135	VE-135	2 7/16	8 13/16	6 15/16	2 5/16	1	11/16	13/16	4 29/32	1 63/64	1 7/16	3	5/8	7.9	

REV 0

CROSS REFERENCE TO COMPETITORS PRODUCTS

REPLACES DODGE P2B-SXVB		REPLACES SKF SYH-FM	REPLACES NTN AELPL2 or JELPL2
REPLACES FAFNIR VAK	REPLACES LINK-BELT PL3-W200U	REPLACES HUB CITY PB 220	REPLACES BOSTON L

Refer to Interchange Section Page 162 for more detail.



100

Browning[®]

Ball Bearings

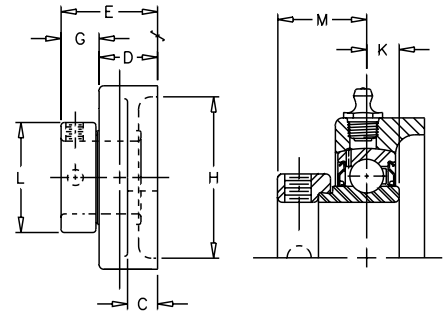
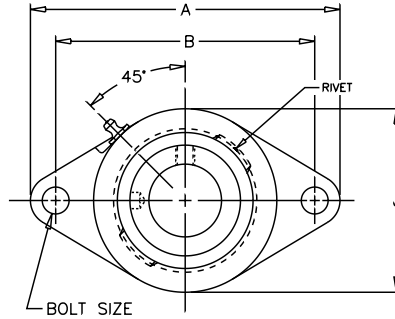
VF2E-100

Lock: Eccentric
Seal: Contact
Housing: Cast Iron
Temperature: -20°F to 200°F
Self Alignment: ±1.5°
Inserts: VE-100
 Dimensions pg 94
 Ratings pg 95

Bore Size	Fitting
1/2" - 1 1/4" S	1/4" - 28NF
1 1/4" - 2 15/16"	1/8" NPT

V VALUE & QUALITY
 F FLANGE
 2 TWO BOLT
 E ECCENTRIC

 1 100
 0 INTERMEDIATE
 0 DUTY



SHAFT DIA. IN.	UNIT NO.	BRG. NO.	Dimensions in Inches											BOLT SIZE IN.	UNIT WT.
			A	B	BOLT C	D	E	G	H CORED	J	K	L	M		
1/2	VF2E-108	VE-108	3 7/8	3	3/8	23/32	1 21/64	39/64	1 3/4	2 1/8	5/16	1 3/16	7/8	3/8	1.0
5/8	VF2E-110	VE-110													
3/4	VF2E-112	VE-112	4 13/32	3 17/32	7/16	57/64	1 31/64	19/32	2	2 1/2	11/32	1 5/16	59/64	3/8	1.1
7/8	VF2E-114	VE-114													
15/16	VF2E-115	VE-115	4 7/8	3 57/64	1/2	61/64	1 35/64	19/32	2 5/16	2 3/4	11/32	1 1/2	59/64	7/16	1.5
1	VF2E-116	VE-116													
1 1/8	VF2E-118	VE-118													
1 3/16	VF2E-119	VE-119	5 9/16	4 19/32	17/32	1 5/64	1 47/64	21/32	2 3/4	3 1/8	3/8	1 3/4	1 3/64	7/16	1.9
1 1/4	VF2E-120S	VE-120S													
1 1/4	VF2E-120	VE-120													
1 3/8	VF2E-122	VE-122	6 1/8	5 1/8	19/32	1 5/32	1 29/32	3/4	3 3/16	3 5/8	27/64	2 3/16	1 5/32	1/2	2.8
1 7/16	VF2E-123	VE-123													
1 1/2	VF2E-124	VE-124	6 3/4	5 21/32	5/8	1 19/64	2 7/64	13/16	3 1/2	4 1/8	31/64	2 3/8	1 9/32	1/2	3.6
1 11/16	VF2E-127	VE-127	7 1/16	5 27/32	5/8	1 21/64	2 5/32	13/16	3 3/4	4 3/8	31/64	2 1/2	1 9/32	9/16	3.8
1 3/4	VF2E-128	VE-128													
1 15/16	VF2E-131	VE-131	7 7/16	6 3/16	5/8	1 23/64	2 5/32	51/64	4	4 9/16	1/2	2 3/4	1 9/32	9/16	4.5
2	VF2E-132S	VE-132S													
2	VF2E-132	VE-132	8 1/2	7 1/4	13/16	1 33/64	2 7/16	59/64	4 1/4	5 1/4	35/64	3	1 7/16	5/8	6.1
2 3/16	VF2E-135	VE-135													

REV 0

CROSS REFERENCE TO COMPETITORS PRODUCTS

REPLACES DODGE F2B-SXV		REPLACES SKF FYT-FM	
REPLACES FAFNIR VCJT	REPLACES LINK-BELT FX3-W200U	REPLACES HUB CITY FB 230	REPLACES BOSTON T*

Refer to Interchange Section Page 162 for more detail.

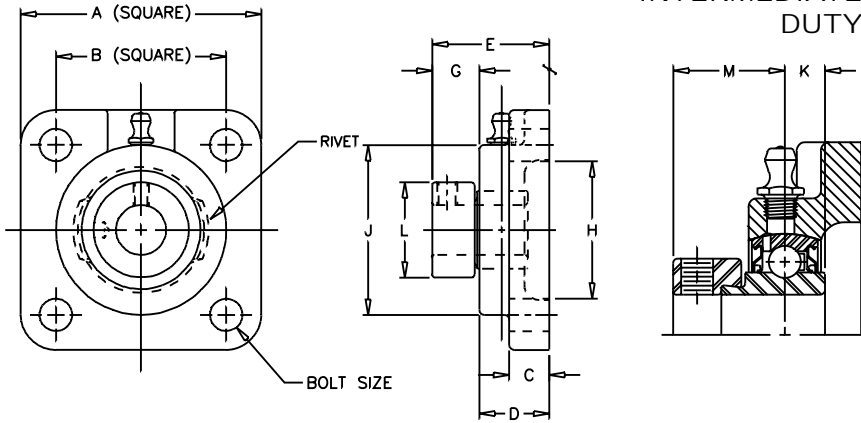
*-Check length through bore

Ball Bearings

VALUE & QUALITY V
 FLANGE F
 4 BOLT 4
 ECCENTRIC E

VF4E-100

Lock: Eccentric
Seal: Contact
Housing: Cast Iron
Temperature: -20°F to 200°F
Self Alignment: ±1.5°
Inserts: VE-100
 Dimensions pg 94
 Ratings pg 95



100 1
 INTERMEDIATE 0
 DUTY 0

Bore Size	Fitting
1/2" - 1 1/4" S	1/4" - 28NF
1 1/4" - 2 15/16"	1/8" NPT

SHAFT DIA. IN.	UNIT NO.	BRG. NO.	Dimensions in Inches											BOLT SIZE IN.	UNIT WT.
			A	B	C	D	E	G	H	J	K	L	M		
1/2	VF4E-108	VE-108	3	2 1/8	3/8	23/32	1 21/64	39/64	1 3/4	2 1/8	5/16	1 3/16	7/8	3/8	1.1
5/8	VF4E-110	VE-110													
3/4	VF4E-112	VE-112	3 3/8	2 1/2	7/16	57/64	1 31/64	19/32	2	2 1/2	11/32	1 5/16	59/64	3/8	1.4
7/8	VF4E-114	VE-114	3 3/4	2 3/4	1/2	61/64	1 35/64	19/32	2 1/2	2 3/4	11/32	1 1/2	59/64	7/16	1.8
15/16	VF4E-115	VE-115													
1	VF4E-116	VE-116													
1 1/8	VF4E-118	VE-118	4 1/4	3 1/4	17/32	1 5/64	1 47/64	21/32	2 7/8	3 1/8	3/8	1 3/4	1 3/64	7/16	2.6
1 3/16	VF4E-119	VE-119													
1 1/4	VF4E-120S	VE-120-S													
1 1/4	VF4E-120	VE-120													
1 3/8	VF4E-122	VE-122	4 5/8	3 5/8	19/32	1 5/32	1 29/32	3/4	3 1/4	3 5/8	27/64	2 3/16	1 5/32	1/2	3.6
1 7/16	VF4E-123	VE-123													
1 1/2	VF4E-124	VE-124	5 1/8	4	5/8	1 19/64	2 7/64	13/16	3 1/2	4 1/8	31/64	2 3/8	1 9/32	1/2	4.7
1 11/16	VF4E-127	VE-127	5 3/8	4 1/8	5/8	1 21/64	2 9/64	13/16	3 7/8	4 3/8	31/64	2 1/2	1 9/32	9/16	5.0
1 3/4	VF4E-128	VE-128													
1 15/16	VF4E-131	VE-131	5 5/8	4 3/8	5/8	1 23/64	2 5/32	51/64	4	4 9/16	1/2	2 3/4	1 9/32	9/16	5.6
2	VF4E-132S	VE-132-S													
2	VF4E-132	VE-132	6 3/8	5 1/8	13/16	1 33/64	2 7/16	59/64	4 1/4	5 1/4	35/64	3	1 7/16	5/8	7.7
2 3/16	VF4E-135	VE-135													

REV 0

CROSS REFERENCE TO COMPETITORS PRODUCTS

REPLACES DODGE F4B-SXV		REPLACES SKF FY-FM	
REPLACES FAFNIR VCJ	REPLACES LINK-BELT F3-W200U	REPLACES HUB CITY FB220	REPLACES BOSTON F*

Refer to Interchange Section Page 162 for more detail.
 *-Check length through bore ("E" dimension)



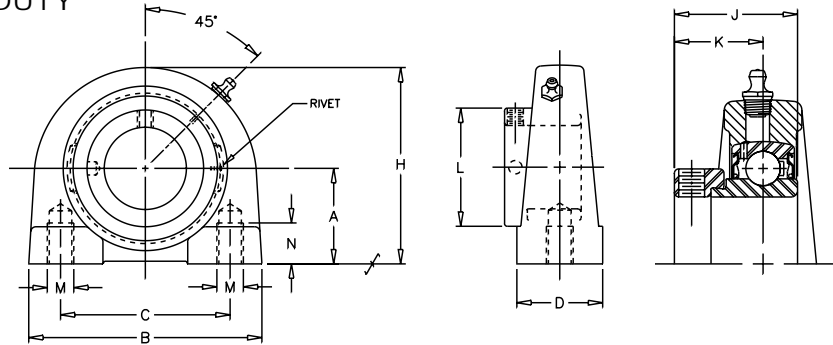
VTBE-100

Lock: Eccentric
Seal: Contact
Housing: Cast Iron
Temperature: -20°F to 200°F
Self Alignment: ±1.5°
Inserts: VE-100
 Dimensions pg 94
 Ratings pg 95

V VALUE & QUALITY
 T TAPPED
 B BASE
 E ECCENTRIC

 1 100
 0 INTERMEDIATE
 0 DUTY

Bore Size	Fitting
3/4" - 1 1/4" S	1/4" - 28NF
1 1/4" - 2 7/16"	1/8" NPT



SHAFT DIA.	UNIT NO.	BRG. NO.	Dimensions In Inches								M BLOT HOLES UNC-THREAD	N MIN TAP DEPTH	UNIT WT.
			A	B	C	D	H	J	K	L			
3/4	VTBE-112	VE-112	1 5/16	2 7/8	2	1 1/2	2 9/16	1 17/64	59/64	1 5/16	3/8-16	1/2	1.5
7/8	VTBE-114	VE-114	1 7/16	3	2	1 1/2	2 13/16	1 17/64	59/64	1 1/2	3/8-16	1/2	1.6
15/16	VTBE-115	VE-115											
1	VTBE-116	VE-116	1 11/16	4	3	1 1/2	3 3/8	1 27/64	1 3/64	1 3/4	7/16-14	5/8	2.5
1 1/8	VTBE-118	VE-118											
1 3/16	VTBE-119	VE-119											
1 1/4	VTBE-120S	VE-120S	1 7/8	4 1/4	3 1/4	1 7/8	3 3/4	1 37/64	1 5/32	2 3/16	1/2-13	3/4	3.4
1 1/4	VTBE-120	VE-120											
1 3/8	VTBE-122	VE-122											
1 7/16	VTBE-123	VE-123	1 15/16	4 5/8	3 1/2	1 7/8	3 15/16	1 49/64	1 9/32	2 3/8	1/2-13	3/4	3.8
1 1/2	VTBE-124	VE-124											
1 11/16	VTBE-127	VE-127	2 1/8	5	3 3/4	2	4 1/4	1 49/64	1 9/32	2 1/2	1/2-13	3/4	4.7
1 3/4	VTBE-128	VE-128											
1 15/16	VTBE-131	VE-131	2 1/4	5 1/2	4	2	4 5/8	1 25/32	1 9/32	2 3/4	5/8-11	7/8	5.7
2	VTBE-132S	VE-132S											

REV 1

CROSS REFERENCE TO COMPETITORS PRODUCTS

REPLACES FAFNIR VTB			

Refer to Interchange Section Page 162 for more detail.

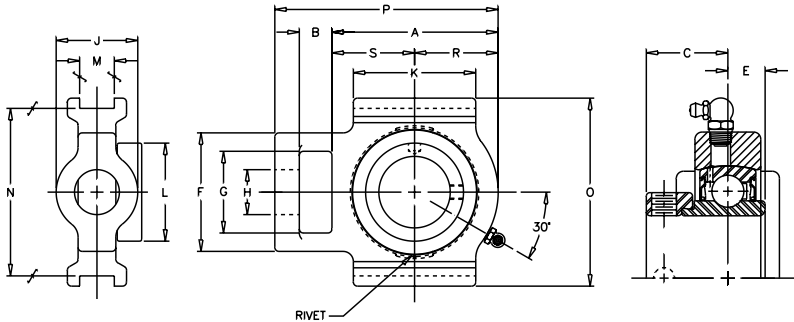
Ball Bearings VALUE & QUALITY V TAKE-UP T WIDE SLOT W ECCENTRIC E

100 1
INTERMEDIATE 0
DUTY 0

VTWE-100

Lock: Eccentric
Seal: Contact
Housing: Cast Iron
Temperature: -20°F to 200°F
Self Alignment: ±1.5°
Inserts: VE-100
Dimensions pg 94
Ratings pg 95

Bore Size	Fitting
3/4" - 1 1/4" S	1/4" - 28NF
1 1/4" - 2 7/16"	1/8" NPT



SHAFT DIA. IN	UNIT NO.	BRG. NO.	Dimensions in Inches																UNIT WT
			A	B	C	E	F	G	H CORE	J HUB	K	L	M	N	O	P	R	S	
3/4	VTWE-112	VE-112	3	5/8	59/64	11/32	1 7/8	1 1/4	3/4	1 3/8	2 1/4	1 5/16	17/32	3	3 1/2	4	1 7/16	1 9/16	1.8
7/8	VTWE-114	VE-114																	
15/16	VTWE-115	VE-115	3 3/32	5/8	59/64	11/32	1 7/8	1 1/4	3/4	1 1/2	2 1/4	1 1/2	17/32	3	3 1/2	4 3/32	1 9/16	1 17/32	1.9
1	VTWE-116	VE-116																	
1 1/8	VTWE-118	VE-118																	
1 3/16	VTWE-119	VE-119	3 3/8	3/4	1 3/64	3/8	2 1/8	1 7/16	7/8	1 3/4	2 1/2	1 3/4	17/32	3 1/2	4	4 5/8	1 25/32	1 19/32	2.8
1 1/4	VTWE-120S	VE-120S																	
1 1/4	VTWE-120	VE-120																	
1 3/8	VTWE-122	VE-122	3 3/4	3/4	1 5/32	27/64	2 1/8	1 7/16	7/8	1 3/4	2 3/4	2 3/16	17/32	3 1/2	4	5	2	1 3/4	3.5
1 7/16	VTWE-123	VE-123																	
1 1/2	VTWE-124	VE-124	4 7/32	3/4	1 9/32	31/64	2 3/4	1 15/16	1 1/8	2 1/8	3 1/4	2 3/8	11/16	4	4 1/2	5 19/32	2 3/16	2 1/32	5.2
1 11/16	VTWE-127	VE-127	4 3/8	3/4	1 9/32	31/64	2 3/4	1 15/16	1 1/8	2 1/8	3 1/4	2 1/2	11/16	4	4 1/2	5 3/4	2 1/4	2 1/8	5.8
1 3/4	VTWE-128	VE-128																	
1 15/16	VTWE-131	VE-131	4 17/32	3/4	1 9/32	1/2	2 3/4	1 15/16	1 1/8	2 1/8	3 3/8	2 3/4	11/16	4	4 1/2	5 29/32	2 5/16	2 7/32	6.1
2	VTWE-132S	VE-132S																	
2	VTWE-132	VE-132	5 3/32	1	1 7/16	35/64	3 5/8	2 1/2	1 3/8	2 1/2	3 3/4	3	1 1/16	5 1/8	5 3/4	6 27/32	2 9/16	2 17/32	8.7
2 3/16	VTWE-135	VE-135																	

REV 0

CROSS REFERENCE TO COMPETITORS PRODUCTS

REPLACES DODGE WSTU-SXV		REPLACES SKF TBY-FM	
REPLACES FAFNIR VTU		REPLACES HUB CITY WSTU 220	

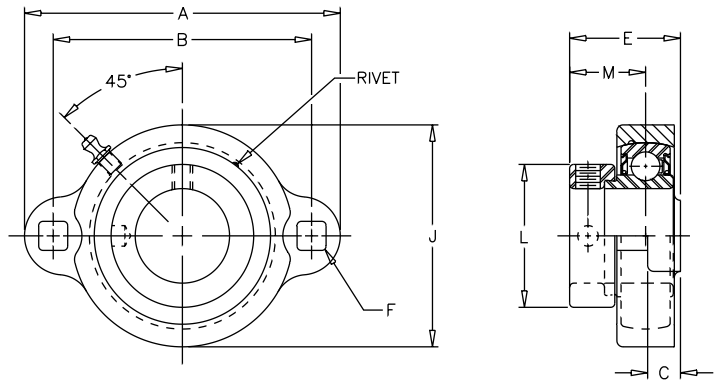
Refer to Interchange Section Page 162 for more detail.

VF2E-100M

Lock: Eccentric
Seal: Contact
Housing: Ductile
Temperature: -20°F to 200°F
Self Alignment: ±1.5°
Inserts: VE-100
 Dimensions pg 94
 Ratings pg 95

V VALUE & QUALITY
 F FLANGE
 2 TWO BOLT
 E ECCENTRIC
 1 100
 0 INTERMEDIATE
 0 DUTY
 M DUCTILE

Bore Size	Fitting
1/2" - 1 7/16"	1/4" - 28NF



SHAFT DIA. IN.	UNIT NO.	BRG. NO.	Dimensions In Inches								UNIT WT.
			A	B	C	E	F	J	L	M	
1/2	VF2E-108M	VE-108	3 3/16	2 1/2	13/32	1 13/64	9/32	1 15/16	1 3/16	5/8	0.6
5/8	VF2E-110M	VE-110									
3/4	VF2E-112M	VE-112	3 9/16	2 13/16	7/16	1 21/64	11/32	2 1/4	1 5/16	47/64	0.9
7/8	VF2E-114M	VE-114									
15/16	VF2E-115M	VE-115	3 3/4	3	7/16	1 11/32	11/32	2 1/2	1 1/2	49/64	1.0
1	VF2E-116M	VE-116									
1 1/8	VF2E-118M	VE-118									
1 3/16	VF2E-119M	VE-119	4 7/16	3 9/16	15/32	1 17/32	13/32	2 15/16	1 3/4	25/32	1.5
1 1/4	VF2E-120SM	VE-120S									
1 1/4	VF2E-120M	VE-120									
1 3/8	VF2E-122M	VE-122	4 13/16	3 15/16	1/2	1 11/16	13/32	3 3/8	2 3/16	55/64	1.9
1 7/16	VF2E-123M	VS-123									

REV 0

CROSS REFERENCE TO COMPETITORS PRODUCTS

		REPLACES SEALMASTER BRONZE LFT-E	REPLACES NTN AELFD2 or JELFD2*
REPLACES FAFNIR GRFTD or GVFTD	REPLACES LINK-BELT FX-YG200N		

Refer to Interchange Section Page 162 for more detail.
 *-Cast Iron Housing

Ball Bearings

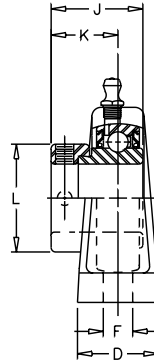
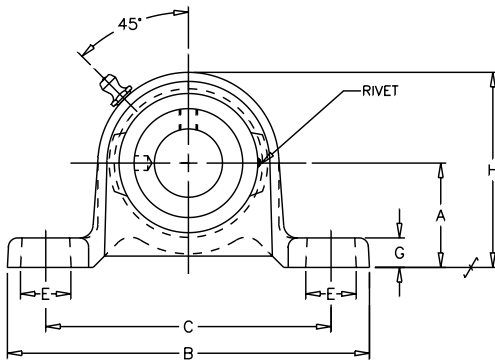
VALUE & QUALITY V
PILLOW BLOCK P
ECCENTRIC E

100 1
INTERMEDIATE O
DUTY O
DUCTILE M

VPE-100M

Lock: Eccentric
Seal: Contact
Housing: Ductile
Temperature: -20°F to 200°F
Self Alignment: ±1.5°
Inserts: VE-100
Dimensions pg 94
Ratings pg 95

Bore Size	Fitting
1/2" - 1 7/16"	1/4" - 28NF



SHAFT DIA. IN	UNIT NO.	BRG. NO.	Dimensions In Inches											UNIT WT.
			A	B	C	D	E	F	G	H	J	K	L	
1/2	VPE-108M	VE-108	1 3/16	4 7/16	3 7/16	1	21/32	7/16	11/32	2 5/32	1 3/16	7/8	1 3/16	1.0
5/8	VPE-110M	VE-110	1 3/16	4 7/16	3 7/16	1	21/32	7/16	11/32	2 5/32	1 3/16	7/8	1 3/16	1.0
3/4	VPE-112M	VE-112	1 5/16	4 3/4	3 17/32	1 1/16	21/32	7/16	3/8	2 7/16	1 17/64	59/64	1 5/16	1.5
7/8	VPE-114M	VE-114	1 7/16	5	3 15/16	1 1/8	21/32	7/16	13/32	2 11/16	1 17/64	59/64	1 1/2	1.7
15/16	VPE-115M	VE-115	1 7/16	5	3 15/16	1 1/8	21/32	7/16	13/32	2 11/16	1 17/64	59/64	1 1/2	1.7
1	VPE-116M	VE-116	1 7/16	5	3 15/16	1 1/8	21/32	7/16	13/32	2 11/16	1 17/64	59/64	1 1/2	1.7
1 1/8	VPE-118M	VE-118	1 11/16	5 15/16	4 23/32	1 5/16	13/16	17/32	13/32	3 5/32	1 27/64	1 3/64	1 3/4	2.7
1 3/16	VPE-119M	VE-119	1 11/16	5 15/16	4 23/32	1 5/16	13/16	17/32	13/32	3 5/32	1 27/64	1 3/64	1 3/4	2.7
1 1/4	VPE-120SM	VE-120S	1 7/8	6 1/4	5	1 3/8	13/16	17/32	7/16	3 9/16	1 37/64	1 5/32	2 3/16	3.6
1 1/4	VPE-120M	VE-120	1 7/8	6 1/4	5	1 3/8	13/16	17/32	7/16	3 9/16	1 37/64	1 5/32	2 3/16	3.6
1 3/8	VPE-122M	VE-122	1 7/8	6 1/4	5	1 3/8	13/16	17/32	7/16	3 9/16	1 37/64	1 5/32	2 3/16	3.6
1 7/16	VPE-123M	VE-123	1 7/8	6 1/4	5	1 3/8	13/16	17/32	7/16	3 9/16	1 37/64	1 5/32	2 3/16	3.6

REV 1

CROSS REFERENCE TO COMPETITORS PRODUCTS

		REPLACES SEALMASTER BRONZE LP-E	

Refer to Interchange Section Page 162 for more detail.



100

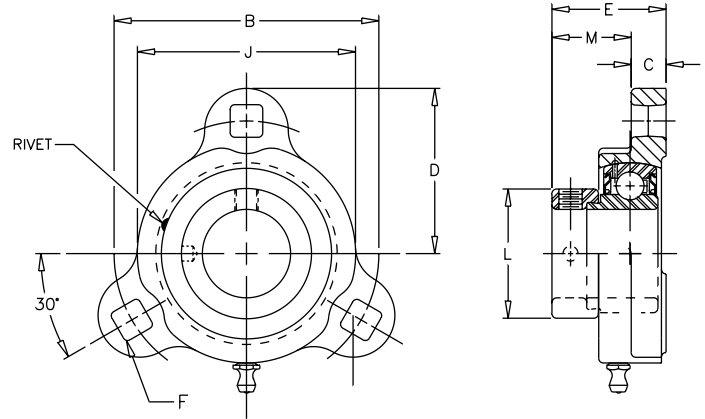
VF3E-100M

Lock: Eccentric
Seal: Contact
Housing: Ductile
Temperature: -20°F to 200°F
Self Alignment: ±1.5°
Inserts: VE-100
 Dimensions pg 94
 Ratings pg 95

V VALUE & QUALITY
 F FLANGE
 3 THREE BOLT
 E ECCENTRIC

 1 100
 0 INTERMEDIATE
 0 DUTY
 M DUCTILE

Bore Size	Fitting
1/2" - 1 7/16"	1/4" - 28NF



SHAFT DIA. IN.	UNIT NO.	BRG. NO.	B	C	D	E	F	J	L	M	UNIT WT.
1/2	VF3E-108M	VE-108	2 1/2	13/32	1 19/32	1 7/32	19/64	1 15/16	1 3/16	7/8	0.8
5/8	VF3E-110M	VE-110									
3/4	VF3E-112M	VE-112	2 13/16	7/16	1 25/32	1 5/16	23/64	2 1/4	1 5/16	59/64	0.9
7/8	VF3E-114M	VE-114									
15/16	VF3E-115M	VE-115	3	7/16	1 7/8	1 11/32	23/64	2 1/2	1 1/2	59/64	1.1
1	VF3E-116M	VE-116									
1 1/8	VF3E-118M	VE-118									
1 3/16	VF3E-119M	VE-119	3 9/16	15/32	2 7/32	1 35/64	27/64	2 15/16	1 3/4	1 1/16	1.6
1 1/4	VF3E-120SM	VE-120S									
1 1/4	VF3E-120M	VE-120									
1 3/8	VF3E-122M	VE-122	3 15/16	1/2	2 13/32	1 11/16	27/64	3 3/8	2 3/16	1 5/32	2.2
1 7/16	VF3E-123M	VE-123									

REV 0

CROSS REFERENCE TO COMPETITORS PRODUCTS

		REPLACES SEALMASTER BRONZE LF-E	
REPLACES FAFNIR GRFD or GVFD	REPLACES LINK-BELT F-YG200N*		

Refer to Interchange Section Page 162 for more detail.
 *-3 Bolt Only

Ball Bearings

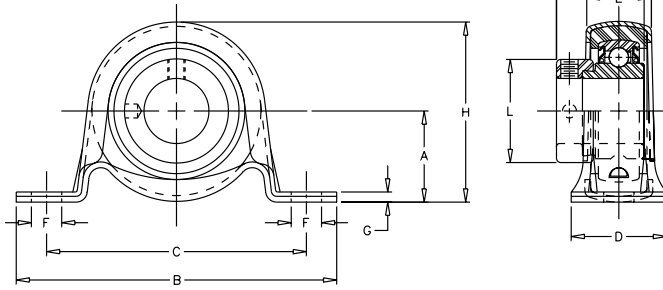
STAMPED S
STEEL S
RUBBER GROMMET R
PILLOW BLOCK P
ECCENTRIC E

100 1
INTERMEDIATE 0
DUTY 0

SSRPE-100

Lock: Eccentric
Seal: Contact
Housing: Stamped Steel
Rubber Grommet
Temperature: -20°F to 200°F
Self Alignment: ±1.5°
Inserts: RLE-100

Bore Size	Fitting
1/2" - 1 7/16"	1/4" - 28NF



SHAFT DIA. IN	MAX STEADY RADIAL LOAD LBS	UNIT NO.	Dimensions In Inches													UNIT WT.
			A	B	C	D	E	F	G	H	J	K	L	M		
3/4	250	SSRPE-112	1 1/8	4 1/4	3 3/8	1 1/4	27/32	7/16	1/8	2 13/64	1 17/64	15/16	1 5/16	1 11/32	0.7	
7/8	300	SSRPE-114	1 5/16	4 5/8	3 3/4	1 3/8	61/64	7/16	5/32	2 19/32	1 25/64	15/16	1 1/2	1 11/32	1.1	
15/16		SSRPE-115														
1		SSRPE-116														

REV 1

CROSS REFERENCE TO COMPETITORS PRODUCTS

		REPLACES SKF SR-FM	
REPLACES FAFNIR RFB			

Refer to Interchange Section Page 162 for more detail.



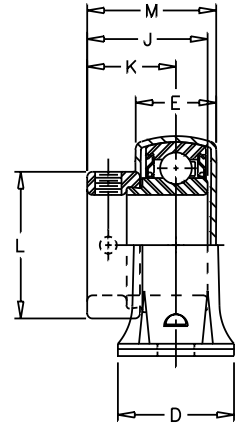
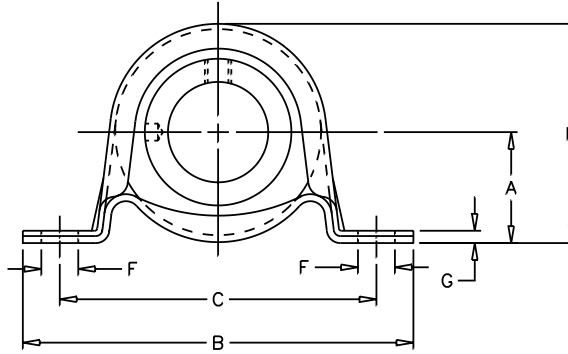
SSPE-100

Lock: Eccentric
Seal: Contact
Housing: Stamped Steel
Temperature: -20°F to 200°F
Self Alignment: ±1.5°
Inserts: LE-100
 Dimensions pg 93

S STAMPED
 S STEEL
 P PILLOW BLOCK
 E ECCENTRIC

1 100
 0 LIGHT
 0 DUTY

No Re-Lube



SHAFT DIA. IN.	MAX STEADY RADIAL LOAD LBS	UNIT NO.	BRG. NO.	Dimensions In Inches													UNIT WT.
				A	B	C	D	E	F	G	H	J	K	L	M		
7/8	400	SSPE-114	LE-114														
15/16		SSPE-115	LE-115	1 1/8	4 1/4	3 3/8	1 1/4	27/32	7/16	1/8	2 13/64	1 17/64	59/64	1 1/2	1 11/32	0.7	
1		SSPE-116	LE-116														
1 1/8	600	SSPE-118	LE-118														
1 3/16		SSPE-119	LE-119	1 5/16	4 5/8	3 3/4	1 3/8	61/64	7/16	5/32	2 19/32	1 7/16	1 1/16	1 3/4	1 17/32	1.1	
1 1/4		SSPE-120S	LE-120S														

REV 2

CROSS REFERENCE TO COMPETITORS PRODUCTS

REPLACES DODGE P2B-SLX	REPLACES SKF S-FM	REPLACES SEALMASTER BRONZE SSP-E	REPLACES NTN AELPP2
REPLACES FAFNIR PB			

Refer to Interchange Section Page 162 for more detail.

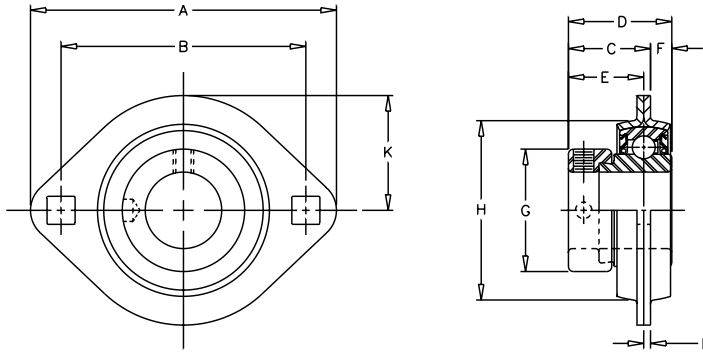
Ball Bearings

STAMPED S
 STEEL S
 FLANGE F
 TWO BOLT 2
 ECCENTRIC E

SSF2E-100

Lock: Eccentric
Seal: Contact
Housing: Stamped Steel
Temperature: -20°F to 200°F
Self Alignment: ±1.5°
Inserts: LE-100
 Dimensions pg 93

100 1
 LIGHT 0
 DUTY 0



No Re-Lube

SHAFT DIA. IN.	MAX STEADY RADIAL LOAD LBS.	UNIT NO.	BRG. NO.	Dimensions In Inches										BOLT SIZE	UNIT WT.
				A	B	C	D	E	F	G	H	K	L		
1/2	600	SSF2E-108	LE-108	3 3/16	2 1/2	61/64	1 3/16	7/8	15/64	1 3/16	1 47/64	1 1/8	.075	1/4	0.7
5/8		SSF2E-110	LE-110												
3/4	600	SSF2E-112	LE-112	3 9/16	2 13/16	1	1 17/64	59/64	1/4	1 5/16	2 1/64	1 5/16	.083	5/16	0.9
7/8	800	SSF2E-114	LE-114	3 3/4	3	1	1 17/64	59/64	1/4	1 1/2	2 7/32	1 13/32	.083	5/16	1.0
15/16		SSF2E-115	LE-115												
1		SSF2E-116	LE-116												
1 1/8	1100	SSF2E-118	LE-118	4 7/16	3 9/16	1 11/64	1 27/64	1 1/16	17/64	1 3/4	2 21/32	1 21/32	.104	3/8	1.1
1 3/16		SSF2E-119	LE-119												
1 1/4		SSF2E-120S	LE-120S												

REV 2

CROSS REFERENCE TO COMPETITORS PRODUCTS

DODGE F2B-SLX	REPLACES SKF FT-FM	REPLACES SEALMASTER BRONZE SSFT-E	REPLACES NTN AELPFL2 or JELPFL2
REPLACES FAFNIR RAT	REPLACES LINK-BELT MST		

Refer to Interchange Section Page 162 for more detail.



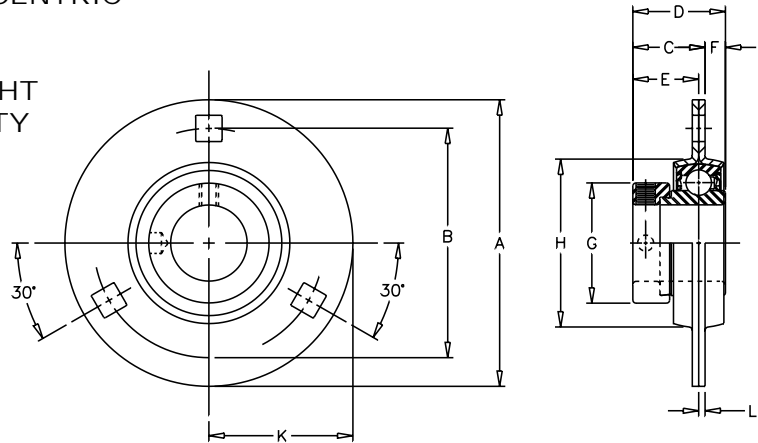
SSF3E-100

Lock: Eccentric
Seal: Contact
Housing: Stamped Steel
Temperature: -20°F to 200°F
Self Alignment: ±1.5°
Inserts: LE-100
 Dimensions pg 93

S STAMPED
 S STEEL
 F FLANGE
 3 THREE BOLT
 E ECCENTRIC

1 100
 0 LIGHT
 0 DUTY

No Re-Lube



SHAFT DIA. IN.	MAX STEADY RADIAL LOAD LBS.	UNIT NO.	BRG. NO.	Dimensions In Inches										BOLT SIZE	UNIT WT.
				A	B	C	D	E	F	G	H	K	L		
3/4	600	SSF3E-112	LE-112	3 9/16	2 13/16	1	1 17/64	59/64	1/4	1 5/16	2 1/64	1 25/32	.083	5/16	1.1
7/8	800	SSF3E-114	LE-114	3 3/4	3	1	1 17/64	59/64	1/4	1 1/2	2 7/32	1 11/16	.083	5/16	1.4
15/16		SSF3E-115	LE-115												
1	1100	SSF3E-116	LE-116	4 7/16	3 9/16	1 5/32	1 27/64	1 1/16	17/64	1 3/4	2 21/32	2 7/32	.104	3/8	1.6
1 1/8		SSF3E-118	LE-118												
1 3/16		SSF3E-119	LE-119												
1 1/4	1400	SSF3E-120S	LE-120S	4 13/16	3 15/16	1 17/64	1 37/64	1 5/32	5/16	2 3/16	3 1/16	2 13/32	.104	3/8	1.9
1 1/4		SSF3E-120	LE-120												
1 3/8		SSF3E-122	LE-122												
1 7/16		SSF3E-123	LE-123												

REV 2

CROSS REFERENCE TO COMPETITORS PRODUCTS

REPLACES DODGE F3B-SLX	REPLACES SKF F-FM	REPLACES SEALMASTER BRONZE SSF-E	REPLACES NTN AELPF2 or JELPF2
REPLACES FAFNIR RR/GRR or RA/RP	REPLACES LINK-BELT MS*		

Refer to Interchange Section Page 162 for more detail.

*-Bearings not included

Ball Bearings

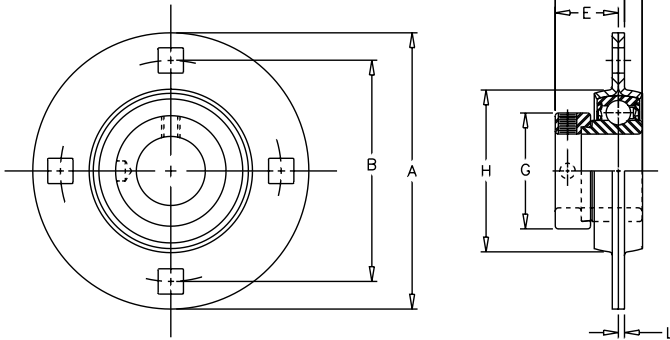
STAMPED S
STEEL S
FLANGE F
FOUR BOLT 4
ECCENTRIC E

SSF4E-100

100 1
LIGHT 0
DUTY 0

Lock: Eccentric
Seal: Contact
Housing: Stamped
Temperature: -20°F to 200°F
Self Alignment: ±1.5°
Inserts: LE-100
Dimensions pg 93

No Re-Lube



SHAFT DIA. IN.	MAX STEADY RADIAL LOAD LBS.	UNIT NO.	BRG. NO.	Dimensions In Inches									BOLT SIZE	UNIT WT.
				A	B	C	D	E	F	G	H	L		
1 1/2	1700	SSF4E-124	LE-124	5 13/16	4 11/16	1 27/64	1 49/64	1 9/32	11/32	2 3/8	3 27/64	.134	1/2	3.0
1 11/16	1700	SSF4E-127	LE-127	5 7/8	4 3/4	1 27/64	1 49/64	1 9/32	11/32	2 1/2	3 5/8	.134	1/2	3.5
1 3/4		SSF4E-128	LE-128											
1 15/16	1900	SSF4E-131	LE-131	6 1/8	5	1 7/16	1 25/32	1 9/32	11/32	2 3/4	3 27/32	.149	1/2	3.6

REV 1

CROSS REFERENCE TO COMPETITORS PRODUCTS

REPLACES DODGE F4B-SLX		REPLACES SEALMASTER BRONZE SSFF-E	
REPLACES FAFNIR RR	REPLACES LINK-BELT MSC*		

Refer to Interchange Section Page 162 for more detail.
*-Bearings not included



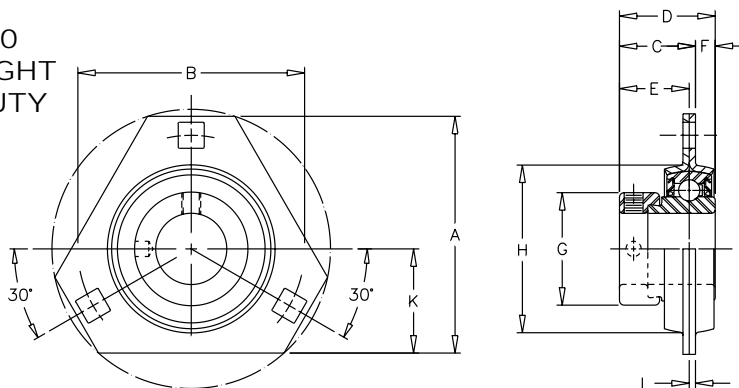
SSF3TE-100

Lock: Eccentric
Seal: Contact
Housing: Stamped Steel
Temperature: -20°F to 200°F
Inserts: LE-100
 Dimensions pg 93

No Re-Lube

S STAMPED
 S STEEL
 F FLANGE
 3 THREE BOLT
 T TRIANGULAR
 E ECCENTRIC

1 100
 0 LIGHT
 0 DUTY



SHAFT DIA. IN.	MAX STEADY RADIAL LOAD LBS.	UNIT NO.	BRG. NO.	Dimensions In Inches										BOLT SIZE	UNIT WT.
				A	B	C	D	E	F	G	H	K	L		
3/4	600	SSF3TE-112	LE-112	3	2 13/16	1	1 17/64	59/64	1/4	1 19/64	2 1/32	1 5/16	.083	5/16	1.1
7/8	800	SSF3TE-114	LE-114	3 1/8	3	1	1 17/64	59/64	17/64	1 31/64	2 7/32	1 3/8	.083	5/16	1.2
15/16		SSF3TE-115	LE-115												
1		SSF3TE-116	LE-116												
1 1/8	1100	SSF3TE-118	LE-118	3 11/16	3 9/16	1 5/32	1 27/64	1 1/16	17/64	1 47/64	2 21/32	1 1/2	.104	3/8	1.4
1 3/16		SSF3TE-119	LE-119												
1 1/4		SSF3TE-120S	LE-120S												

REV 1

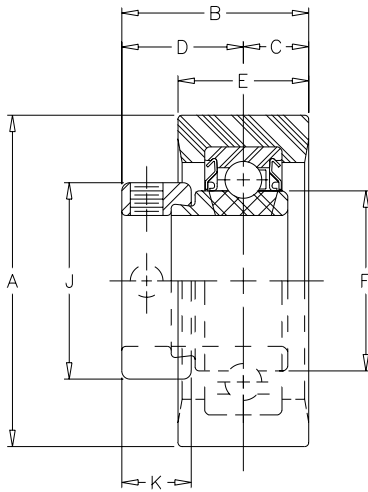
CROSS REFERENCE TO COMPETITORS PRODUCTS

REPLACES FAFNIR RATR		REPLACES SEALMASTER BRONZE TSSF-E	
REPLACES LINK-BELT MSTR*			

Refer to Interchange Section Page 162 for more detail.

*-Bearings not included

Ball Bearings



RUBBER R
GROMMET U
STRAIGHT OD B
INSERT R
ECCENTRIC E

100 1
LIGHT 0
DUTY 0

RUBRE-100

Lock: Eccentric
Seal: Contact
Housing: Rubber Grommet
Temperature: -20°F to 200°F
Inserts: SLE-100
Dimensions pg 92

SHAFT DIA. IN.	MAX. STEADY RADIAL LOAD LBS.	UNIT NO.	BRG. NO.	Dimensions in Inches								UNIT WT.
				A	B	C	D	E	F	K	J	
1/2 5/8	200	RUBRE-108 RUBRE-110	SLE-108 SLE-110	2 17/32	1 3/8	1/2	7/8	1	31/32	17/32	1 3/16	0.5
3/4	250	RUBRE-112	SLE-112	2 17/32	1 27/64	1/2	59/64	1	1 3/16	17/32	1 5/16	0.5
15/16 1	300	RUBRE-115 RUBRE-116	SLE-115 SLE-116	2 17/32	1 27/64	1/2	59/64	1	1 3/8	17/32	1 1/2	0.6

REV 2

CROSS REFERENCE TO COMPETITORS PRODUCTS

		REPLACES SKF R-FM
REPLACES FAFNIR RCSM		

Refer to Interchange Section Page 162 for more detail.

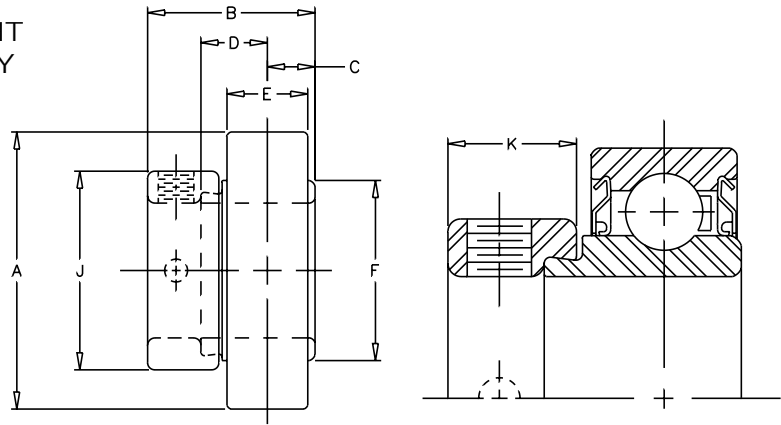
SLE-100

Lock: Eccentric
Seal: Contact
Temperature: -20°F to 200°F
Ratings: Page 95

No Re-Lube

S STRAIGHT OD
 L LUBED INSERT
 E ECCENTRIC

1 100
 0 LIGHT
 0 DUTY



SHAFT DIA. IN.	BRG. NO.	Dimensions In Inches								SET SCREW TAP	UNIT WT.
		A	B	C	D	E	F	J	K		
1/2	SLE-108	40MM	1 3/16	5/16	1/2	33/64	31/32	1 3/16	17/32	1/4-28	0.4
5/8	SLE-110	1.5742	1 3/16	5/16	1/2	33/64	31/32	1 3/16	17/32	1/4-28	0.4
3/4	SLE-112	47MM 1.8504	1 17/64	11/32	35/64	19/32	1 3/16	1 5/16	17/32	1/4-28	0.5
7/8	SLE-114	52MM	1 17/64	11/32	35/64	19/32	1 3/8	1 1/2	17/32	1/4-28	0.6
15/16	SLE-115	2.0469	1 17/64	11/32	35/64	19/32	1 3/8	1 1/2	17/32	1/4-28	0.6
1	SLE-116										
1 1/8	SLE-118	62MM	1 27/64	3/8	37/64	45/64	1 19/32	1 3/4	5/8	5/16-24	0.8
1 3/16	SLE-119	2.4409	1 27/64	3/8	37/64	45/64	1 19/32	1 3/4	5/8	5/16-24	0.8
1 1/4	SLE-120S										
1 1/4	SLE-120	72MM	1 37/64	27/64	5/8	3/4	1 55/64	2 3/16	11/16	3/8-24	1.1
1 3/8	SLE-122	2.8346	1 37/64	27/64	5/8	3/4	1 55/64	2 3/16	11/16	3/8-24	1.1
1 7/16	SLE-123										
1 1/2	SLE-124	80MM 3.1496	1 49/64	31/64	3/4	55/64	2 1/16	2 3/8	23/32	3/8-24	1.4

REV 1

CROSS REFERENCE TO COMPETITORS PRODUCTS

		REPLACES SEALMASTER BRONZE SL-E	
REPLACES FAFNIR GRA-RR	REPLACES LINK-BELT WB200UL		

Refer to Interchange Section Page 162 for more detail.

Ball Bearings

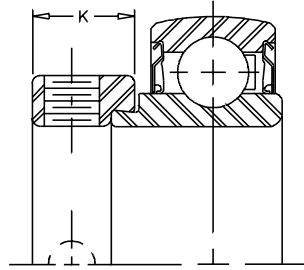
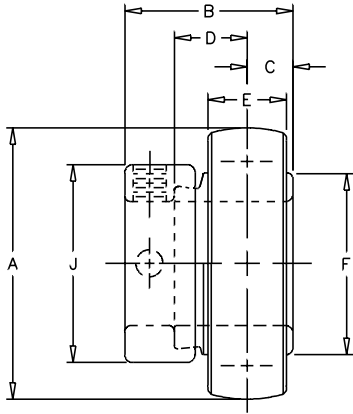
LUBED INSERT L
ECCENTRIC E

LE-100

100 1
LIGHT 0
DUTY 0

Lock: Eccentric
Seal: Contact
Temperature: -20°F to 200°F
Ratings: Page 95

No Re-Lube



SHAFT DIA. IN.	BRG. NO.	Dimensions In Inches								SET SCREW TAP	UNIT WT.
		A	B	C	D	E	F	J	K		
1/2	LE-108	40MM	1 3/16	5/16	1/2	33/64	31/32	1 3/16	17/32	1/4-28	.4
5/8	LE-110	1.5748									
3/4	LE-112	47MM	1 17/64	11/32	35/64	19/32	1 3/16	1 5/16	17/32	1/4-28	.4
7/8	LE-114	52MM	1 17/64	11/32	35/64	19/32	1 3/8	1 1/2	17/32	1/4-28	.5
15/16	LE-115	2.0472									
1	LE-116										
1 1/8	LE-118	62MM	1 27/64	3/8	37/64	45/64	1 19/32	1 3/4	5/8	5/16-24	.7
1 3/16	LE-119	2.4409									
1 1/4	LE-120S										
1 1/4	LE-120	72MM	1 37/64	27/64	5/8	3/4	1 55/64	2 3/16	11/16	3/8-24	1.1
1 3/8	LE-122	2.8346									
1 7/16	LE-123										
1 1/2	LE-124	80MM	1 49/64	31/64	3/4	55/64	2 1/16	2 3/8	23/32	3/8-24	1.4
1 11/16	LE-127	85MM	1 49/64	31/64	3/4	55/64	2 19/64	2 1/2	23/32	3/8-24	1.6
1 3/4	LE-128	3.3465									
1 15/16	LE-131	90MM	1 25/32	1/2	3/4	29/32	2 15/32	2 3/4	23/32	3/8-24	1.8
		3.5433									

REV 2

CROSS REFERENCE TO COMPETITORS PRODUCTS

For insert interchange information, contact EPT Mounted Bearing Technical Support.
See page 256 for contact information.



100

Browning[®]

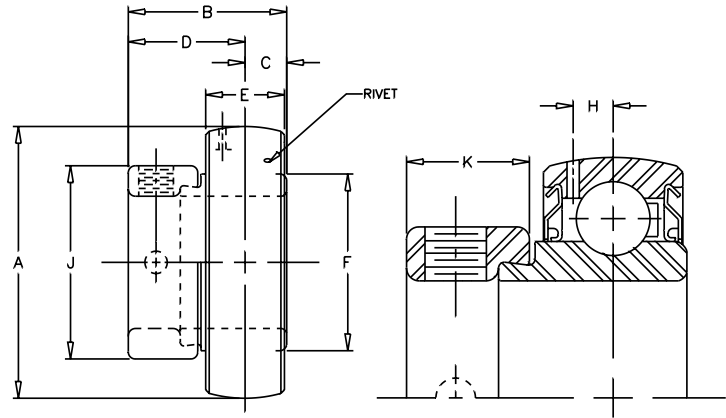
Ball Bearings

VE-100

Lock: Eccentric
Seal: Contact
Temperature: -20°F to 200°F
Ratings: Page 95

V VALUE & QUALITY
 E ECCENTRIC

1 100
 0 INTERMEDIATE
 0 DUTY



SHAFT DIA. IN	BRG. NO.	Dimensions In Inches									SET SCREW TAP	UNIT WT.
		A	B	C	D	E	F	H	J	K		
1/2	VE-108	40MM	1 3/16	5/16	1/2	.512	31/32	9/64	1 3/16	17/32	1/4-28	.4
5/8	VE-110	1.5748										
3/4	VE-112	47MM	1 17/64	11/32	35/64	.591	1 3/16	5/32	1 5/16	17/32	1/4-28	.4
7/8	VE-114	52MM	1 17/64	11/32	35/64	.591	1 3/8	5/32	1 1/2	17/32	1/4-28	.5
15/16	VE-115	2.0472										
1	VE-116											
1 1/8	VE-118	62MM	1 7/16	3/8	37/64	.709	1 19/32	13/64	1 3/4	5/8	5/16-24	.7
1 3/16	VE-119	2.4409										
1 1/4	VE-120S											
1 1/4	VE-120	72MM	1 37/64	27/64	5/8	.748	1 55/64	15/64	2 3/16	11/16	3/8-24	1.1
1 3/8	VE-122	2.8346										
1 7/16	VE-123											
1 1/2	VE-124	80MM	1 49/64	31/64	3/4	.866	2 1/16	17/64	2 3/8	23/32	3/8-24	1.4
1 11/16	VE-127	85MM	1 49/64	31/64	3/4	.866	2 19/64	17/64	2 1/2	23/32	3/8-24	1.6
1 3/4	VE-128	3.3465										
1 15/16	VE-131	90MM	1 25/32	1/2	3/4	.906	2 15/32	9/32	2 3/4	23/32	3/8-24	1.8
2	VE-132S	3.5433										
2	VE-132	100MM	1 63/64	35/64	13/16	.984	2 23/32	5/16	3	13/16	7/16-20	2.5
2 3/16	VE-135	3.9370										

REV 1

CROSS REFERENCE TO COMPETITORS PRODUCTS

For insert interchange information, contact EPT Mounted Bearing Technical Support.
 See page 256 for contact information.



Ball Bearings

100 SERIES RATINGS

This chart displays 100 series ball bearings' load capacity for a given L10 life, speed, and shaft size. Values in the table represent loads at ideal conditions with press fit mounting to the shaft. ABMA recommends de-rating of slip fit mounted bearings. To obtain de-rated load, divide load in table by 1.3. Values in the table represent equivalent radial loads only. For combined load determination, see **THE BEARING SELECTION SECTION**, page 262. Areas designated by “-” exceed maximum speed values.

Match Bore Size

100 Shaft Size	L10 HOURS	REVOLUTIONS PER MINUTE															
		50	150	250	500	750	1000	1500	1750	2000	2500	3000	3500	4000	45000	5000	5500
1/2	5000	315	315	315	315	315	315	275	261	250	232	218	207	198	191	184	
	10000	315	315	315	315	275	250	218	207	198	184	173	165	157	151	146	
	250	315	315	275	218	191	173	151	144	138	128	120	114	109	105	101	
	50000	315	275	232	184	161	146	128	121	116	108	101	96	92	89	85	
3/4	100000	315	218	184	146	128	116	101	96	92	85	80	76	73	70	68	
	5000	390	390	390	390	390	390	341	324	310	287	270	257	246			
	10000	390	390	390	390	341	310	270	257	246	228	215	204	195			
	30000	390	390	341	270	236	215	188	178	170	158	149	141	135			
7/8	50000	390	341	287	228	199	181	158	150	144	133	126	119	114			
	100000	390	270	228	181	158	144	126	119	114	106	100	95	91			
	5000	418	418	418	418	418	418	366	347	332	308	290	276				
	15/16	418	418	418	418	366	332	290	279	264	245	230	219				
1	30000	418	418	366	290	253	230	201	191	183	170	160	152				
	50000	418	366	308	245	214	194	170	161	154	143	135	128				
	100000	418	290	245	194	170	154	135	128	122	114	107	102				
	1 1/8	5000	654	654	654	654	654	572	519	454	431	412	383	360			
1 3/16	10000	654	654	654	654	572	519	454	431	412	383	360					
	30000	654	654	572	454	396	360	315	299	286	265	250					
	50000	654	572	482	383	334	304	265	252	241	224	211					
	100000	654	454	383	304	255	241	211	200	191	178	167					
1 1/4	5000	864	864	864	864	864	864	755	717	686	636						
	10000	864	864	864	864	755	686	599	569	544	505						
	30000	864	864	755	599	523	475	415	394	377	350						
	50000	864	755	636	505	441	401	350	333	318	295						
1 1/2	100000	864	599	505	401	350	318	278	264	253	234						
	5000	1096	1096	1096	1096	1096	1096	958	910	870	808						
	10000	1096	1096	1096	1096	958	870	760	722	691	641						
	30000	1096	1096	958	760	664	603	527	501	479	445						
1 5/8	50000	1096	958	808	641	560	509	445	422	404	375						
	100000	1096	760	641	509	445	404	353	335	321	298						
	1 11/16	5000	1180	1180	1180	1180	1180	1180	1031	979	937						
	10000	1180	1180	1180	1180	1031	937	818	777	744							
1 3/4	30000	1180	1180	1180	1031	818	715	650	567	539	516						
	50000	1180	1031	870	690	603	548	479	455	435							
	100000	1180	818	690	548	479	435	380	361	345							
	1 15/16	5000	1178	1178	1178	1178	1178	1178	1029	978	935						
2	10000	1178	1178	1178	1178	1029	935	817	776	742							
	30000	1178	1178	1029	817	714	649	567	538	515							
	50000	1178	1029	868	689	602	547	478	454	434							
	100000	1178	817	689	547	478	434	379	360	345							
2 3/16	5000	1457	1457	1457	1457	1457	1457	1273	1209								
	10000	1457	1457	1457	1457	1273	1156	1010	959								
	30000	1457	1457	1273	1010	882	802	700	665								
	50000	1457	1273	1073	852	744	676	591	561								
100000	1457	1010	852	676	591	537	469	445									